

Görg, Holger; Hanley, Aoife

Working Paper

Does outsourcing increase profitability?

IZA Discussion Papers, No. 1372

Provided in Cooperation with:

IZA – Institute of Labor Economics

Suggested Citation: Görg, Holger; Hanley, Aoife (2004) : Does outsourcing increase profitability?, IZA Discussion Papers, No. 1372, Institute for the Study of Labor (IZA), Bonn

This Version is available at:

<https://hdl.handle.net/10419/3410>

Standard-Nutzungsbedingungen:

Die Dokumente auf EconStor dürfen zu eigenen wissenschaftlichen Zwecken und zum Privatgebrauch gespeichert und kopiert werden.

Sie dürfen die Dokumente nicht für öffentliche oder kommerzielle Zwecke vervielfältigen, öffentlich ausstellen, öffentlich zugänglich machen, vertreiben oder anderweitig nutzen.

Sofern die Verfasser die Dokumente unter Open-Content-Lizenzen (insbesondere CC-Lizenzen) zur Verfügung gestellt haben sollten, gelten abweichend von diesen Nutzungsbedingungen die in der dort genannten Lizenz gewährten Nutzungsrechte.

Terms of use:

Documents in EconStor may be saved and copied for your personal and scholarly purposes.

You are not to copy documents for public or commercial purposes, to exhibit the documents publicly, to make them publicly available on the internet, or to distribute or otherwise use the documents in public.

If the documents have been made available under an Open Content Licence (especially Creative Commons Licences), you may exercise further usage rights as specified in the indicated licence.

IZA DP No. 1372

Does Outsourcing Increase Profitability?

Holger Görg
Aoife Hanley

October 2004

Does Outsourcing Increase Profitability?

Holger Görg

University of Nottingham and IZA Bonn

Aoife Hanley

University of Nottingham

Discussion Paper No. 1372
October 2004

IZA

P.O. Box 7240
53072 Bonn
Germany

Phone: +49-228-3894-0
Fax: +49-228-3894-180
Email: iza@iza.org

Any opinions expressed here are those of the author(s) and not those of the institute. Research disseminated by IZA may include views on policy, but the institute itself takes no institutional policy positions.

The Institute for the Study of Labor (IZA) in Bonn is a local and virtual international research center and a place of communication between science, politics and business. IZA is an independent nonprofit company supported by Deutsche Post World Net. The center is associated with the University of Bonn and offers a stimulating research environment through its research networks, research support, and visitors and doctoral programs. IZA engages in (i) original and internationally competitive research in all fields of labor economics, (ii) development of policy concepts, and (iii) dissemination of research results and concepts to the interested public.

IZA Discussion Papers often represent preliminary work and are circulated to encourage discussion. Citation of such a paper should account for its provisional character. A revised version may be available directly from the author.

ABSTRACT

Does Outsourcing Increase Profitability?*

We investigate the relationship between outsourcing and profitability paying particular attention to the endogeneity of outsourcing. The empirical analysis uses unique plant level data for the electronics sector in Ireland. A particular feature of the data is that it records detailed information for 12 electronics sub-sectors covering both manufacturing and services activities. We distinguish outsourcing of materials from outsourcing of services inputs. We find that plants that are substantially larger than the mean employment size benefit from outsourcing materials and services inputs, while this does not appear to be the case for small plants. Results for outsourcing of services are not as clear-cut, however.

JEL Classification: L23, L63

Keywords: outsourcing, subcontracting, profitability, electronics

Corresponding author:

Holger Görg
School of Economics
University of Nottingham
Nottingham NG7 2RD
UK
Email: holger.gorg@nottingham.ac.uk

* This paper is forthcoming in the *Economic and Social Review*. We are grateful to Forfás for the provision of the data and to David Paton, Don Siegel, participants at the IEA 2004 conference, in particular John Sutton, and an anonymous referee for very helpful comments. The usual disclaimer applies. Holger Görg acknowledges financial support from the Leverhulme Trust (Programme Grant F114/BF).

1 Introduction

Both the popular press and academic literature have recently covered the growth of outsourcing or contracting out, of business activities and its economic implications. While Heshmati (2003) in his recent survey points out that there is no general definition or measurement of outsourcing, he broadly describes it as “different kinds of corporate action related to all subcontracting relationships between firms and the hiring of workers in non-traditional jobs” (p. 99). Outsourcing may provide a viable strategy if firms aim to save on labour costs (Abraham and Taylor, 1996), exploit production differentials both within the services sector and between services and manufacturing (Fixler and Siegel, 1999), or take advantage of globalisation (Feenstra and Hanson, 1999). According to an article in the *Financial Times* ‘Subcontracting as many non-core activities as possible is a central element of the new economy’.¹

A fundamental question to ask is whether outsourcing is value enhancing and, in particular, whether the firm that undertakes outsourcing shows higher profitability as a result. Essentially this question renders down to the transactions cost question regularly posed to university undergraduates: should a firm manufacture its own inputs by some form of vertical merger or should it seek to obtain possibly more competitively priced inputs on the open market? While the viability of vertical mergers as a determinant of profitability is comparatively well researched, less work has been undertaken on the viability of pursuing a less integrated strategy, namely of outsourcing inputs.²

¹ Financial Times, 31 July 2001, p. 10. Feenstra (1998) provides an excellent overview of the increase in outsourcing activities worldwide.

² See Bhuyan (2002) for a recent analysis of whether vertical mergers induce higher profits or Knarvik and Steen (2002) for an investigation of whether vertical mergers induce other positive externalities through agglomeration effects.

Recent evidence from practitioners casts some doubt on the benefits to outsourcing. A UK survey by Manpower focussing on the benefits accruing to firms from offshoring services, found that 68 percent of firms outsource at least some services, the main motivation being cost reduction.³ However, in a recent survey, 56 percent of IT specialists claimed that outsourced IT work was at least inferior to that produced in-house. More worryingly, 11 percent reported that the outsourced work actually induced a setback to the firm's production.⁴ Accordingly, in the popular press one appears to have arrived at a point where experts begin to question the validity of outsourcing as a long-term strategy or even short term as a cost reduction exercise.

To the best of our knowledge, there is only a very limited number of more rigorous statistical or econometric studies looking at this issue. The evidence that has been produced in such papers, however, suggests that the value-enhancing link between outsourcing and profitability is not clearly established. Specifically, Kimura (2002) does not find any evidence that subcontracting leads to higher profits in Japanese manufacturing firms. Differentiating between outsourcing of services and non-services inputs, Görzig and Stephan (2002) find that outsourcing of materials is positively correlated with profits, while there is a negative relationship between profitability and outsourced services for a sample of German manufacturing firms.

Motivated by the benefits to outsourcing claimed by some practitioners and the corresponding lack of any direct evidence as to the truth behind these assertions, we aim to establish whether outsourcing does indeed raise profitability.⁵ We use unique plant level panel data for the electronics sector in the Republic of Ireland. Ireland represents an

³ <http://www.manpower.co.uk/news/OutsourcingSurvey.pdf>

⁴ Software Development Magazine, January 2004 issue.

⁵ Note that, in this paper, we do not distinguish domestic from international outsourcing, but concern ourselves with outsourcing in general. In a related paper, Görg et al. (2004) investigate whether international outsourcing (imported intermediates) is associated with higher productivity in the outsourcing plant, using

interesting case study for outsourcing as noted by Ruane and Görg (2001), who document the increasing growth in outsourcing in the electronics sector for the Irish economy.⁶ The novelty of our data stems from the fact that we can distinguish 12 electronics sub-sectors which cover both manufacturing and services activities. Also, we have detailed information on outsourcing activities at the plant level. Furthermore, in comparison to the study by Görzig and Stephan (2002) which is the one most closely related to ours, we pay particular attention to the possible endogeneity of outsourcing and profitability. We attempt to circumvent this problem by using an instrumental variable approach, implemented using a General Method of Moments (GMM) estimator.

The remainder of the paper is structured as follows. The following section briefly discusses recent literature on firms' decisions to outsource, in order to provide the context for our subsequent empirical analysis. The data are described in Section 3. Section 4 outlines the econometric methodology and discusses the results. Finally, Section 5 presents some conclusions.

2 Outsourcing and profitability

Essentially outsourcing addresses the issue as to whether a firm should make or buy intermediate inputs; an issue that has a long tradition in economics, dating back to the seminal work by Coase (1937) on the boundaries of a firm. Since then, a large body of literature has been concerned with analysing the determinants of this “make-or-buy decision”, focussing on the role of incomplete contracts, specific assets and transactions costs (e.g., Williamson, 1975, Grossman and Hart, 1986, Bolton and Whinston, 1993). In a nutshell, firms would prefer to “buy” as opposed to “make” as long as the cost of

data for manufacturing plants in Ireland.

⁶ This growth was revealed using plant level data on input purchasing behaviour of computer manufacturers where the ratio of bought-in materials to total sales has risen significantly over the past decade, a sign that firms revert increasingly to outsourcing their inputs rather than opting to produce them in-house.

outsourcing is lower than in-house production. Hence, outsourcing can be used to economise on production cost, in particular labour cost (Abraham and Taylor, 1996) by substituting in-house production with the buying-in of components. The cost of outsourcing is not only determined by the price of the bought-in components, but also by transaction costs due to transport and incomplete contracting costs, and the possible implications of asset specificity for supplier and/or customer.

In a recent paper, Grossman and Helpman (2002) provide a comprehensive theoretical analysis of firms' outsourcing decisions. In their model, firms decide whether to be vertically integrated or to outsource production of components to specialised producers. This involves a search process, whereby final good producers search for subcontractors and vice versa. There is incomplete information – subcontractors cannot easily signal their quality – and therefore a potential for a hold-up problem arises. *Inter alia*, Grossman and Helpman (2002) show that the viability of outsourcing is determined by the distribution of bargaining power between the two parties involved, the degree of competition in the market, and the number of potential partners in the market.

Taking this as a theoretical background, one may expect that the benefits from outsourcing are not always the same, but in particular depend on the characteristics of the firm and industry in question. Large firms may be in a better position to achieve high bargaining power vis-à-vis suppliers and may hence be better able to benefit from outsourcing. Also, large firms may face lower search costs as they may be better established in the market and have better knowledge of competitors and suppliers than small establishments.

In terms of industry characteristics, if there are more potential subcontractors in the industry, if the bargaining power is tilted towards the final good producers, or if the level of competition is high among subcontractors, final good producers are more likely to find outsourcing a viable strategy. While this is difficult to address in formal empirical work (as

opposed to case studies) due to data constraints, our data set possesses one advantageous characteristic that allows us to have at least a first cut at this question.

From our data set, we can distinguish outsourcing of tangible materials and components from outsourcing of services activities. For the latter, one may expect that many of the services are non-traded and therefore localised with possibly only a small number of potential suppliers and low degrees of competition. Hence, one may expect the benefits (if any) from services outsourcing to be lower than the outsourcing of tangible (and tradable) components. This theoretical prior is corroborated by Görzig and Stephan (2002) who use German data for a sample of large companies to examine the benefits of outsourcing. They find that firms that engage in materials outsourcing experience benefits, in terms of increased returns per employee, while services outsourcing induces a negative effect on measured returns. This, they infer, is due to the non-transparent way in which outsourced services are priced vis-à-vis more tangible inputs. They conclude that while the markets for intermediate products appear to function, outsourced services may be subject to certain inefficiencies.⁷

In related work, Kimura (2002) discovers that poorly performing firms (low surplus to sales and low value added to sales) are more likely to use subcontractors, in an analysis of the Japanese machinery manufacturing industry. He concludes that profits are highest for those firms that do not get involved in any type of subcontracting, whether as a supplier or as an outsourcer. These results, accordingly, are in line with the findings for Germany by Görzig and Stephan (2002).

⁷ Interestingly, they draw attention to the need to focus on profitability rather than efficiency alone. Higher wages, while inducing higher efficiency (output per worker) lowered overall profitability. This result was arrived at because the net effect of higher wages was to increase the cost of labour inputs to an extent that diminished overall profitability. Hence efficiency, as noted by Grossman and Helpman (2002), is not always the most appropriate indicator of how a firm is performing. Girma and Görg (2004) provide a firm level analysis of the effect of outsourcing on efficiency (i.e., productivity) in the UK.

3 Data

In order to investigate the relationship between outsourcing and profits we use plant level data for the electronics industry in Ireland. This industry has undergone rapid growth in the Irish economy, in particular in the 1990s. As Ruane and Görg (2001) document, employment in the sector has increased threefold between 1984 and 1997, from roughly 7,300 to 22,700. Most of this growth arose during the mid 1990s; in 1994, total industry employment was only approximately 11,700. One striking feature is that the majority of firms operating in this industry are subsidiaries of foreign owned multinationals; they accounted for over 85 percent of employment in 1997. The importance of multinationals in this sector is not least due to policies directed towards foreign firms. Ruane and Görg (2001) note that the *Irish Development Authority (IDA Ireland)* identified the electronics industry as a potential source of growth for the Irish economy as far back as the mid-1970s. This judgement was in part based on the perceived potential for outsourcing activities in that sector. Such outsourcing potential was expected to raise the scope for domestic Irish, as well as foreign companies to supply to final goods producers, thereby allowing the location of various stages of the production process in the country.⁸ Currently, electronics firms located in Ireland include such high-profile names as IBM, Microsoft, Intel etc.

The data used in this analysis are taken from the *Irish Economy Expenditure Survey*, undertaken annually by Forfás, the government agency with responsibility for enterprise development, science and technology. The survey provides anonymised plant level information on output, employment, profitability, nationality of ownership and industry, as well as details on plants' expenditure on labour, materials, and service inputs.^{9,10}

⁸ See also White (2000) for an excellent insiders-view on Irish industrial policy towards multinationals.

⁹ Unfortunately, the nature of our data does not allow us to distinguish between inputs sourced from other plants within the same firm, and inputs sourced from other sources.

¹⁰ All nominal variables are deflated using an output price deflator available from the Irish Central Statistics

The survey is sent out to all plants with thirty or more employees based in Ireland in either the manufacturing or internationally traded services sectors. Response rates are generally good; plants responding to the survey account for around 60-80 per cent of employment of the target population each year (O'Malley, 1995). The exclusion of small plants with less than 30 employees from the sample, precludes us from investigating how outsourcing affects small firms in particular, and this factor has to be kept in mind for the subsequent interpretation of our results.

While the survey has been undertaken by Forfás since 1982, an examination of the data showed that for our purposes, information on outsourcing and profitability has only been available since 1990. Accordingly, we use electronics sector data for the period 1990 to 1995. These data are classified into 12 sub-sectors of electronics, which cover both manufacturing and service activities, making the dataset quite unique. These sub-sectors are: Computers, Consumer Electronics, Electronic Components, Instrumentation, Networking & Data Communication, Printed Circuit Board Assembly (PCBA), Peripherals & Media, Semiconductors, Software Development, Software Production, Telecommunications, and IT Services.¹¹ The inclusion of both manufacturing and services sub-sectors makes the dataset particularly interesting for our analysis.¹² All in all, there are 215 plants included in the sample, although the structure of the panel is highly unbalanced.

The main variables of interest are outsourcing and profitability at the level of the plant. The former is measured as the ratio of externally sourced inputs to value added in the plant, thus

Office.

¹¹ IT Services include IT related services not included in the other sub-sectors, such as Systems Integration, IT Consulting and training and education.

¹² The availability of data for this six year period is of course limiting, as fragmentation activities can be expected to have expanded considerably over the last two decades. However, our data still cover a period over which there has been variation in outsourcing activities, which we pick up in our data. Also, this is the period over which there was a rapid growth of the electronics industry, as discussed by Ruane and Görg

giving us a measure of the importance of bought-in intermediates in the production process. Specifically, we calculate three measures of outsourcing. Total outsourcing is defined as the ratio of total bought-in inputs over value added. As alluded to earlier, another advantage of our data is that we can distinguish intermediate inputs into raw materials and components (referred to as materials) and services inputs. We can therefore calculate two more disaggregated measures of outsourcing, namely, the ratio of bought-in tangible materials and components over value added, and the ratio of bought-in services inputs over value added. With regard to the latter measure, services inputs are comprised of other direct and indirect costs, excluding materials, wages, rent, interest payments and depreciation. This includes contracted out services, such as consultancy, maintenance, security, cleaning, catering etc. An increase in these outsourcing ratios indicates an increasing importance of outsourcing for production in the plant, as more inputs are purchased for further processing.

The measure of profitability is calculated as the ratio of net profits (i.e., total sales – total costs) over total output. Total costs includes all direct and indirect costs accruing to the plant.

Table 1 shows some summary statistics on outsourcing of intermediary and materials inputs (*O1*) and services inputs (*O2*) respectively. *O1* is noted for its higher ratio of inputs to value added compared to *O2*. It is possible that the higher ratios registered for *O1* inputs, are due to a higher degree of vertical integration in materials inputs vis-à-vis services inputs. Overall, the median value of the *O1* ratio just exceeds unity (1.18) and the overall average ratio is 2.28, indicating that values in the upper tail of the distribution are driving the average value up. The corresponding values for *O2* inputs are 0.40 and 0.97 respectively. We would expect services inputs to exhibit lower values given their

(2001).

invariably ancillary function in industry.¹³ However, firms with strong affiliations to suppliers in a value chain, to the extent that they are fully integrated, should be expected to register high values for the *OI* ratio where components are purchased from an intermediary.¹⁴

[Table 1 here]

We are unable to disclose detailed summary statistics for the profitability measure due to confidentiality reasons. The raw correlations between profits and *OI* and profits and *O2* are -0.13 and -0.16 respectively, and the correlation between *OI* and *O2* is 0.21 (all statistically significant at 1 per cent level).

In Table 2 we present further summary statistics for the outsourcing variables, as well as for average employment and the capital-sales ratio (which are covariates included in the empirical model below). We distinguish the overall means, as well as means for ‘high profitability’ and ‘low profitability’ plants in order to highlight differences between these two groups of plants. For illustrative purposes, the former category is simply defined as plants demonstrating at least median profitability levels, while low profitability establishments are those with less than median profitability. As we can see, highly profitable firms tend to use more outsourcing in general. A simple t-test for the equality of means for the two groups of plants can be rejected. Note, however, that low profitability plants are on average larger (in terms of employment levels) than the other group of plants.

[Table 2 here]

¹³ Abraham and Taylor (1996) outline types of business services received and include supportive services such as accounting, auditing and bookkeeping and services to buildings in addition to more direct inputs such as personnel supply services.

¹⁴ In Table A1 in the Appendix we present further summary statistics for the two outsourcing measures, disaggregated by the electronics sub-sector. The figures show that there is a wide variability in the extent of outsourcing across electronics sub-sectors.

The differences in outsourcing usage between these two groups of plants are further highlighted in Figures 1 to 3. These graphs chart the distribution of outsourcing intensities of plants in high and low profitability categories for total, materials and services outsourcing respectively. The accompanying table containing the actual proportions used to generate these cross-sections is contained in Table A2 in the Appendix.

If low and high profitability plants demonstrated no difference in outsourcing intensity, they would both register equal proportions (i.e. 50 percent) across all intensity quartiles. However, we see that certain biases emerge depending on a) the nature of the outsourcing and b) the level of the outsourcing intensity. Accordingly, we see in Figure 1 that of those establishments engaged in high level outsourcing (4th quartile), a disproportionate number (62 percent) belong to the low profit group. Overall therefore, outsourcing appears to be an activity in which low profit plants are particularly active.

Moving to Figures 2 and 3, we now examine the composition of establishments according to the *nature* of outsourcing i.e. whether we are dealing with materials or services outsourcing respectively. Consistent with what we have seen in Figure 1, a disproportionate percentage of plants in the highest intensity category (4th quartile) belong to the low profit category. This proportion is 60 and 68 percent for materials and services outsourcing respectively. Accordingly, the nature of the outsourcing activity does matter. It appears that of plants actively engaged in high level outsourcing, disproportionately more exhibit low profitability.

This profits discrepancy is more striking when non-tangible as opposed to tangible inputs are outsourced, a fact we infer from the disproportionate percentage of low profits plants engaged in services outsourcing. Staying with the issue of services outsourcing, accompanying the disproportionate activity of low profit plants in the fourth quartile, is a

relatively weak showing in the lowest outsourcing intensity category (1st quartile). Here we see that a mere 23 percent of establishments belong to the low profit group while a disproportionate proportion (77 percent) belong to the high profit category.

[Figures 1 to 3 here]

4 Econometric Analysis

The analysis of simple summary statistics does, of course, not allow us to isolate the possible effects on profitability of other covariates. In order to disentangle the effect of outsourcing and other factors on plant profitability, we turn to an econometric analysis. We start off with a profit function which we formulate in levels in order to explain profitability in plant i at time t , Π_{it}

$$\ln \Pi_{it} = \beta_0 + \beta_1 O_{it} + \beta_2 \ln ksr_{it} + \beta_3 \ln employ_{it} + \beta_4 netgr_{jt} + \alpha_j + v_t + \mu_i + \varepsilon_{it} \quad (1)$$

where O_{it} is one of the measures of outsourcing as defined above, ksr_{it} is the capital-to-sales ratio (where capital is measured as capital employed, i.e., working capital), $employ_{it}$ is establishment size measured in terms of employment, and $netgr_{jt}$ is the net annual growth rate (measured in terms of employment) of the electronics sub-sector j . Furthermore, α_j and v_t are full sets of sector and time dummies, μ_i is a plant specific time invariant effect, and ε_{it} is the remaining error term which allows for heteroskedasticity as well as an unspecified correlation within but not across establishments.¹⁵

It is important to point out that the specification in (1) is not based on any particular theoretical framework. It is thus of a purely descriptive nature and meant to give some indication as to what attributes impact on plant profitability. Profits, of course, depend on barriers to entry (e.g, Shepherd, 1972, Domowitz et al., 1987). The capital-to-sales ratio is,

therefore, included in the model in order to control for differences in profits across plants that are due to differences in capital intensity. Also, it is frequently found in the literature that large firms are more productive and more profitable than small establishments (e.g., Audretsch, 1995), hence, we control for establishment size in the empirical model. The sectoral net growth rate is included in order to account for the fact that fast growing industries may allow plants to reap higher profits, as additional entry in a growing industry may not affect incumbents' profits negatively.

In order to purge the time invariant sector and plant specific effects from the estimation we first difference the equation and obtain

$$\Delta \ln \Pi_{it} = \lambda_1 \Delta O_{it} + \lambda_2 \Delta \ln ksr_{it} + \lambda_3 \Delta \ln employ_{it} + \lambda_4 \Delta netgr_{jt} + v_t + u_{it} \quad (2)$$

From the discussion in Section 2 we would not expect the coefficient λ_1 to be equal across different establishment types. In particular, we may expect differences in the returns to outsourcing for small and large plants. In particular, large establishments may be in a better bargaining position than small establishments vis-à-vis their suppliers and, hence, may be better able to reap benefits from outsourcing. In order to allow for this difference we interact ΔO with log employment size in the empirical implementation of the model. One further point to note is that by estimating equation (2) on our six year panel we can only capture short run effects of outsourcing on profitability. This should be kept in mind for the interpretation of results.

The results of simple OLS regressions of equation (2) including the interaction term are presented in columns (1) to (4) in Table 3. Column (1) shows the results for estimating equation (2) including total outsourcing, whereas columns (2) and (3) distinguish outsourcing of materials and intermediate components from outsourcing of services

¹⁵ The plant specific effect captures, inter alia, the nationality of the plant in order to allow for the possible

activities, as defined in Section 3. Column (4) presents results including both materials and services outsourcing jointly.

Examining, firstly, the coefficients on the explanatory variables, we find that employment size of the plant shows the expected positive signs, although the coefficients are statistically insignificant. The sectoral growth rate also returns statistically insignificant coefficients. Surprisingly, the capital-to-sales ratio returns a statistically significant negative result. This is contrary to expectations, if *ksr* is taken as a proxy for barriers to entry. However, much of the entry by foreign firms into Irish manufacturing has been in capital and technology intensive industries (see Barry and Bradley, 1997); this entry which would lead to reductions in profit margins could be reflected in our findings.¹⁶

Turning to the results on the effect of outsourcing on profits, we observe a negative effect from total outsourcing. However, the positive and statistically significant coefficient on the outsourcing and (log) employment size interaction term shows that for larger plants increased outsourcing is associated with higher profits. This also holds when distinguishing materials and services outsourcing, see the results in columns (2) and (3). However, when including both materials and services outsourcing jointly in the estimation, then the signs on services outsourcing switch, while materials outsourcing still returns the same result (column 4).¹⁷ This indicates that there are important interactions between services and materials outsourcing. When controlling for materials outsourcing, there are no benefits from services outsourcing for large firms.

[Table 3 here]

profitability advantage of foreign-owned plants (e.g., Kumar, 1990).

¹⁶ Unfortunately, with the data at hand we are not able to investigate this issue further. However, the negative coefficient on *ksr* is persistent and striking in our results.

¹⁷ One possible explanation may be that this is driven by the fact that there are 28 observations less in column (4) than column (3). To address this point we re-estimated the model in column (3) using the 340 observations only. This does not change the results and, hence, cannot explain this switch in signs.

Before interpreting these results further we need to address an econometric concern. Specifically, one potential problem with the estimations in Table 3 is that there may be a potential endogeneity problem in the profitability-outsourcing relationship that is not accounted for. For example, it may be the case that badly performing plants decide to outsource part of the production process in order to boost profits further, or that further unobserved variables drive the outsourcing-profitability relationship. In order to deal with this issue we instrument for the outsourcing intensity variable O using its first and second lags. The equation is estimated using a Generalised Method of Moments (GMM) estimator.

The results for estimating (2) using the GMM estimator are reported in Table 4 for total, materials and services outsourcing respectively. We report the Hansen J statistic to examine the null hypothesis that the correlation between the instrumental variable candidates and the error terms in equation (2) is zero; a necessary condition for the validity of the instrumental variables approach. We are also careful to assess the strength of the relationship between the instruments and the potentially endogenous regressors. It has been noted in the econometric literature that when the partial correlation between the instruments and the endogenous variable is low, instrumental variables regression is biased in the direction of the OLS estimator. Staiger and Stock (1997) recommend that the F-statistics from the first stage regression be routinely reported in applied work. The F-statistic tests the hypothesis that the instruments should be excluded from the first-stage regressions (i.e., the relevance of the instruments). The idea here is that when the F-statistic is small, the instrumental variable estimates and the associated confidence intervals are unreliable.

The Hansen test does not allow us to reject the null hypothesis of instrument validity, while the F tests also indicate that the instruments are relevant. We note, however, that the F-

tests are only marginal in the case of services outsourcing in column (3), hence we are cautious in interpreting those results. Overall, however, we can be reasonably confident that our results are valid. Furthermore, the Hausman test, which examines the null hypothesis that there is no statistically significant difference between the OLS and IV estimates, suggests that the GMM estimates are only preferred in the case of total outsourcing in column (1) and when jointly including materials and services outsourcing in column (4).

Turning to the coefficients we find similar results in columns (1) to (3) to the first differenced OLS regressions discussed earlier. However, the coefficients are in all cases somewhat larger. However, as pointed out above, for the analysis of materials and services outsourcing we prefer the OLS estimates in columns (2) and (3) to the GMM estimates. From column (4) we now find that once we control for materials outsourcing, there are no statistically significant profitability enhancing effects from services outsourcing. Materials outsourcing still benefits large plants, however. Note that this finding is in line by the study by Görzig and Stephan (2002) who find from German micro data that materials outsourcing benefits firm performance, while there is no such evidence from services outsourcing. Taking the coefficients at face value, column (4) suggests that establishments start to benefit from materials outsourcing once they reach a size of 262 employees. Recalling that the mean employment level is around 150 (Table 2), this suggests that only plants considerably larger than the mean size are able to benefit from outsourcing.

[Table 4 here]

Taken together, our results suggest that only large plants are able to improve their performance in terms of profitability following increasing use of outsourcing of material inputs. In the framework of the Grossman-Helpman (2002) model discussed in Section 2,

this may indicate that these large establishments have more bargaining power vis-à-vis their suppliers and are therefore able to extract rents. This appears to be not the case for smaller plants in the electronics industry. Another possible explanation is that large firms face lower search costs for potential suppliers since they may be better established on the market, and hence be in a better position to benefit from outsourcing. Unfortunately, with the data at hand, we are not able to investigate these issues further. The results for services outsourcing are less clear-cut, however. When looking at services outsourcing we find benefits for large plants, similar to materials outsourcing. However, once controlling for materials outsourcing, there are no such benefits evident. One important caveat to keep in mind is that we investigate the short run effects of outsourcing on profitability. Given the potential obstacles for small plants they may only be able to benefit in the medium to long run, while large plants may be better able to reap the benefits in the short run.

5 Conclusions

We analyse empirically the relationship between outsourcing and profitability at the level of the plant, using data for the electronics sector in the Republic of Ireland. Our results suggest that the profit / outsourcing relationship depends on characteristics of the plant, in particular its size. We find that plants that are substantially larger than the mean employment size benefit from outsourcing materials inputs, while this does not appear to be the case for small plants. Within our empirical analysis we are not able to explain this size disadvantage, although we can speculate on the basis of the theoretical work by Grossman and Helpman (2002) that this reflects higher transaction costs for small plants. In particular, they may face lower bargaining power vis-à-vis suppliers and/or higher costs in searching for adequate suppliers. The benefits from services outsourcing are less clear-cut, however. When interpreting these results one needs to keep in mind that our empirical

methodology implies that we are essentially analysing short run effects. Due to the relatively short period of data covered we are unable to examine the long run effects of outsourcing on profitability.

References

- Abraham, Katharine G. and Susan K. Taylor, 1996. "Firms' Use of Outside Contractors: Theory and Evidence" *Journal of Labor Economics*, Vol. 14, pp. 394-424.
- Audretsch, David B., 1995. *Innovation and Industry Evolution*, Cambridge: MIT Press.
- Barry, Frank and John Bradley, 1997. "FDI and Trade: The Irish Host-Country Experience" *Economic Journal*, Vol. 107, pp. 1798-1811.
- Bhuyan, Sanjib, 2002. "Impact of vertical mergers on industry profitability: an empirical evaluation" *Review of Industrial Organization*, Vol.20, pp. 61-79.
- Bolton, Patrick and Michael D. Whinston, 1993. "Incomplete contracts, vertical integration, and supply assurance" *Review of Economic Studies*, Vol. 60, pp. 121-148.
- Coase, Ronald, 1937. "The nature of the firm" *Economica*, Vol. 4, pp. 386-405.
- Domowitz, Ian, R. Glenn Hubbard and Bruce C. Petersen, 1987. "Oligopoly supergames: Some empirical evidence on prices and margins" *Journal of Industrial Economics*, Vol. 35, pp. 379-398.
- Doms, Michael E. and J. Bradford Jensen, 1998. "Comparing Wages, Skills, and Productivity between Domestically and Foreign-Owned Manufacturing Establishments in the United States", in R.E. Baldwin, R.E. Lipsey and J.D. Richardson (eds.), *Geography and ownership as bases for economic accounting*, Chicago: University of Chicago Press, pp. 235-255.
- Feenstra, Robert C., 1998. "Integration of Trade and Disintegration of Production in the Global Economy" *Journal of Economic Perspectives*, Vol. 12, pp. 31-50.
- Feenstra, Robert C. and Gordon H. Hanson, 1999. "The impact of outsourcing and high-technology capital on wages: Estimates for the United States" *Quarterly Journal of Economics*, Vol. 114, pp. 907-940.
- Fixler, Dennis and Donald Siegel, 1999. "Outsourcing and productivity growth in services" *Structural Change and Economic Dynamics*, Vol. 10, pp. 177-194.
- Girma, Sourafel and Holger Görg, 2004. "Outsourcing, foreign ownership and productivity: Evidence from UK establishment level data" *Review of International Economics*, Vol. 12, pp. 817-832.
- Görg, Holger, Aoife Hanley and Eric Strobl, 2004. "Outsourcing, foreign ownership, exporting and productivity: An empirical investigation with plant level data" GEP Research Paper 04/08, University of Nottingham.
- Görzig Bernd and Andreas Stephan, 2002. "Outsourcing and firm-level performance" Discussion Paper No. 309, DIW Berlin.
- Grossman, Gene M. and Elhanan Helpman, 2002. "Integration versus Outsourcing in Industry Equilibrium" *Quarterly Journal of Economics*, Vol. 117, pp.85-120.
- Grossman, Sanford J. and Oliver Hart, 1986. "The costs and benefits of ownership: A theory of vertical and lateral integration" *Journal of Political Economy*, Vol. 94, pp. 691-719.

- Heshmati, Almas, 2003. "Productivity growth, efficiency and outsourcing in manufacturing and service industries" *Journal of Economic Surveys*, Vol. 17, pp. 79-112.
- Kimura, Fukunari, 2002. 'Subcontracting and the performance of small and medium firms in Japan' *Small Business Economics*, Vol. 18, pp. 163-175.
- Knarvik Midelfart, Karen and Frode Steen, 2002. "Vertical industry linkages: sources of productivity gains and cumulative causation?" *Review of Industrial Organization*, Vol. 21, pp. 3-20.
- Kumar, Nagesh, 1990. "Mobility barriers and profitability of multinational and local enterprises in Indian manufacturing" *Journal of Industrial Economics*, Vol. 38, pp. 449-463.
- O'Malley, Eoin, 1995. *An Analysis of Secondary Employment Associated with Manufacturing Industry*, Dublin: Economic and Social Research Institute.
- Ruane, Frances and Holger Görg, 2001. "Globalisation and Fragmentation: Evidence for the Electronics Industry in Ireland", in S. Arndt and H. Kierzkowski (eds.), *Fragmentation: New Production Patterns in the World Economy*. Oxford: Oxford University Press, pp. 144-164.
- Shepherd, William G., 1972. "The elements of market structure" *Review of Economics and Statistics*, Vol. 54, pp. 25-37.
- Staiger, Douglas and James H. Stock, 1997. "Instrumental variables regression with weak instruments" *Econometrica*, Vol. 65, pp. 557-586.
- White, Padraic A., 2000. "The Muscles of the Celtic Tiger: The IDA's Winning Sectors", in R. MacSharry and P.A. White (eds.), *The Making of the Celtic Tiger: The Inside Story of Ireland's Boom Economy*, Cork: Mercier Press, pp. 272-308.
- Williamson, Oliver E., 1975. *Markets and hierarchies: Analysis and antitrust implications*, New York: Free Press.

Table 1: Breakdown of outsourcing to value added ratios for O1 and O2

Year	O1 Materials and intermediate product inputs				
	Mean	Std. Dev.	Variance	Median	Obs
1990	2.04	5.28	27.88	1.07	82
1991	2.01	6.55	42.95	1.11	111
1992	1.81	2.22	4.94	1.12	120
1993	3.43	10.96	120.2	1.2	114
1994	1.96	2.63	6.92	1.19	116
1995	2.44	3.96	15.69	1.29	114
	O2 Services inputs				
1990	0.77	2.03	4.14	0.4	82
1991	0.90	2.83	8	0.38	131
1992	1.20	5.87	34.41	0.36	122
1993	1.28	4.27	18.23	0.4	131
1994	0.81	1.25	1.55	0.44	131
1995	0.88	1.42	2.01	0.42	131

Source: own calculations based on *Irish Economy Expenditure Survey* data

Table 2: Comparison of outsourcing intensity and other control variables across high and low profit plants

	low profitability Mean <i>Std.</i>	high profitability Mean <i>Std.</i>	Overall mean Mean <i>Std.</i>	p-value for t-test that $\bar{x}_{highprofit} = \bar{x}_{lowprofit}$ (unequal variance assumed)	No. Obs
materials outsourcing (outs1)	1.49 <i>1.718</i>	3.19 <i>8.534</i>	2.29 <i>6.040</i>	(0.0007)	657
services outsourcing (outs2)	0.58 <i>1.065</i>	1.42 <i>4.715</i>	0.98 <i>3.40</i>	(0.0011)	728
total outsourcing (outs3)	1.96 <i>2.203</i>	4.20 <i>12.136</i>	3.05 <i>8.675</i>	(0.0007)	728
capital-sales ratio	0.49 <i>0.395</i>	0.47 <i>0.424</i>	0.48 <i>0.410</i>	(0.5380)	632
employment	214.88 <i>272</i>	83.46 <i>136</i>	150.96 <i>227</i>	(0.0000)	728

Source: own calculations based on *Irish Economy Expenditure Survey* data

Table 3: Results from first differenced OLS regressions

	(1)	(2)	(3)	(4)
total outsourcing	-0.027 (0.008)***			
total outsourcing * employment	0.004 (0.001)***			
materials outsourcing		-0.039 (0.009)***		-0.084 (0.019)***
materials outsourcing * employment		0.006 (0.002)***		0.015 (0.004)***
services outsourcing			-0.077 (0.038)**	0.118 (0.050)**
services outsourcing * employment			0.012 (0.007)*	-0.025 (0.009)***
capital-sales ratio	-0.044 (0.015)***	-0.048 (0.016)***	-0.047 (0.015)***	-0.047 (0.015)***
employment	0.014 (0.020)	0.015 (0.022)	0.008 (0.021)	0.022 (0.021)
sector growth	-0.001 (0.003)	0.000 (0.004)	-0.001 (0.003)	-0.001 (0.004)
Observations	368	340	368	340
R-squared	0.58	0.62	0.51	0.65

Notes:

Response variable is profitability (first differenced)

Regression includes time dummies and constant term

Clustered standard errors in parentheses

* significant at 10%; ** significant at 5%; *** significant at 1%

Table 4: Results from GMM regressions

	(1)	(2)	(3)	(4)
total outsourcing	-0.138 (0.048)***			
total outsourcing * employment	0.023 (0.009)***			
materials outsourcing		-0.184 (0.072)**		-0.206 (0.068)***
materials outsourcing * employment		0.031 (0.012)**		0.037 (0.017)**
services outsourcing			-0.516 (0.290)*	0.088 (0.206)
services outsourcing * employment			0.127 (0.073)*	-0.030 (0.062)
capital-sales ratio	-0.052 (0.018)***	-0.054 (0.017)***	-0.043 (0.016)***	-0.056 (0.019)***
employment	0.030 (0.020)	0.034 (0.021)	0.006 (0.028)	0.036 (0.020)*
sector growth	0.002 (0.005)	0.004 (0.006)	-0.007 (0.008)	0.006 (0.006)
Observations	282	268	282	268
F first stage (p-value)				
<i>total outsourcing</i>	0.001			
<i>total outsourcing * employment</i>	0.000			
<i>materials outsourcing</i>		0.000		0.00
<i>materials outsourcing * employment</i>		0.000		0.00
<i>services outsourcing</i>			0.12	0.03
<i>services outsourcing * employment</i>			0.15	0.01
Hansen J (p-value)	0.34	0.44	0.64	0.22
Hausman (p-value)	0.01	0.70	0.34	0.00

Notes:

Response variable is profitability (first differenced)

Regression includes time dummies and constant term

Instruments used are first and second lags of the outsourcing variable in levels

Clustered standard errors in parentheses

* significant at 10%; ** significant at 5%; *** significant at 1%

Figure 1 Net profits by Total Outsourcing Intensity

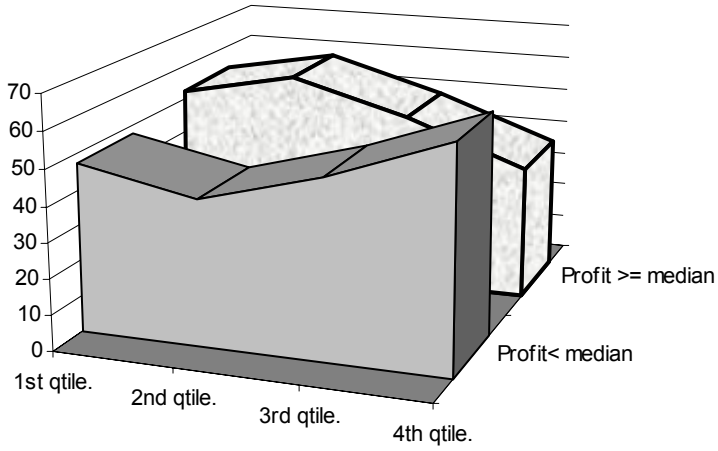


Figure 2 Net profits by Materials Outsourcing Intensity

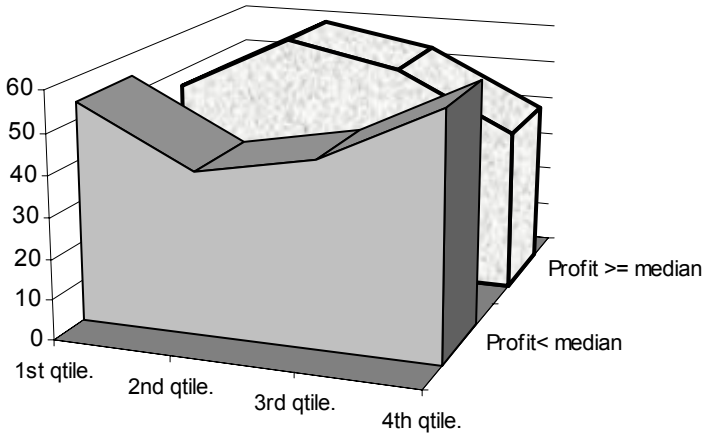
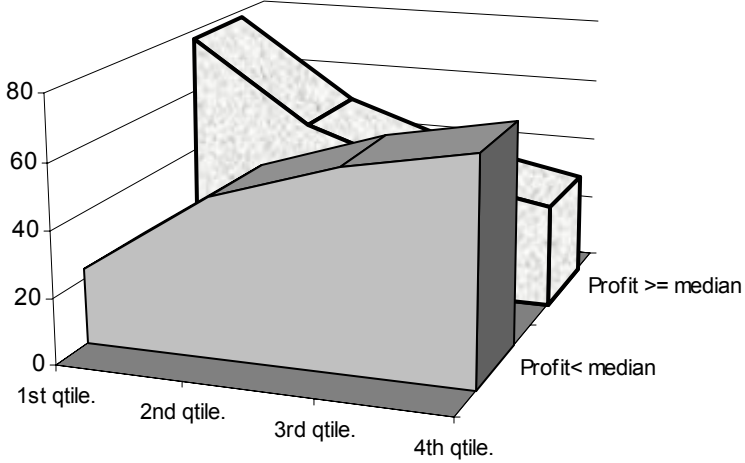


Figure 3 Net profits by Services Outsourcing Intensity



Appendices

Table A1: Summary statistics for *O1* and *O2* by sub-sector

	1990	1995
<i>O1</i>		
Components	1.53 (0.46)	2.59 (2.11)
Computers	1.67 (1.67)	2.51 (2.77)
Consumer Electronics	1.74 (0.78)	2.34 (1.78)
Instrumentation	3.18 (5.72)	2.08 (1.42)
Networking/Data Com	2.57 (0.09)	1.97 (1.22)
PCBA	10.36 (23.86)	2.83 (2.35)
Peripherals & Media	2.42 (0.87)	5.00 (5.53)
Semiconductors	2.85 (2.16)	6.87 (7.39)
IT Services	1.62 (1.08)	0.72 (0.58)
Software Development	--	1.67 (2.61)
Software Production	--	6.15 (11.54)
Telecommunications	2.26 (1.91)	4.48 (5.49)
<i>O2</i>		
Components	0.70 (0.41)	1.28 (0.21)
Computers	0.86 (0.52)	1.96 (2.17)
Consumer Electronics	0.96 (0.32)	0.99 (0.44)
Instrumentation	0.89 (0.45)	1.23 (0.86)
Networking/Data Com	1.76 (0.68)	0.91 (0.16)
PCBA	0.89 (0.78)	1.46 (0.96)
Peripherals & Media	1.26 (0.56)	1.61 (2.15)
Semiconductors	1.23 (0.01)	3.82 (4.33)
IT Services	0.43 (0.52)	0.48 (0.41)
Software Development	--	0.29 (0.41)
Software Production	--	1.31 (1.78)
Telecommunications	1.03 (0.62)	1.61 (1.05)

Note: Means (Standard deviation in parentheses)

Source: own calculations based on *Irish Economy Expenditure Survey* data

Table A2: Breakdown by Quantile for Low and High Profit Plants

	Low profit	High profit	Total
	<i>Total O/S Intensity (proportion of plants)</i>		
	47	53	100
	41	59	100
	50	50	100
	62	38	100
	<i>Materials O/S Intensity (proportion of plants)</i>		
	54	46	100
	40	60	100
	46	54	100
	60	40	100
	<i>Services O/S Intensity (proportion of plants)</i>		
	23	77	100
	48	52	100
	61	39	100
	68	32	100

Outsourcing Intensity