

Islam, Reazul; Ahmad, Rubi

Article

Muḍārabah and mushārahah as micro-equity finance: perception of Selangor's disadvantaged women entrepreneurs

ISRA International Journal of Islamic Finance

Provided in Cooperation with:

International Shari'ah Research Academy for Islamic Finance (ISRA), Kuala Lumpur

Suggested Citation: Islam, Reazul; Ahmad, Rubi (2020) : Muḍārabah and mushārahah as micro-equity finance: perception of Selangor's disadvantaged women entrepreneurs, ISRA International Journal of Islamic Finance, ISSN 2289-4365, Emerald, Bingley, Vol. 12, Iss. 2, pp. 217-237,
<https://doi.org/10.1108/IJIF-04-2018-0041>

This Version is available at:

<https://hdl.handle.net/10419/236965>

Standard-Nutzungsbedingungen:

Die Dokumente auf EconStor dürfen zu eigenen wissenschaftlichen Zwecken und zum Privatgebrauch gespeichert und kopiert werden.

Sie dürfen die Dokumente nicht für öffentliche oder kommerzielle Zwecke vervielfältigen, öffentlich ausstellen, öffentlich zugänglich machen, vertreiben oder anderweitig nutzen.

Sofern die Verfasser die Dokumente unter Open-Content-Lizenzen (insbesondere CC-Lizenzen) zur Verfügung gestellt haben sollten, gelten abweichend von diesen Nutzungsbedingungen die in der dort genannten Lizenz gewährten Nutzungsrechte.

Terms of use:

Documents in EconStor may be saved and copied for your personal and scholarly purposes.

You are not to copy documents for public or commercial purposes, to exhibit the documents publicly, to make them publicly available on the internet, or to distribute or otherwise use the documents in public.

If the documents have been made available under an Open Content Licence (especially Creative Commons Licences), you may exercise further usage rights as specified in the indicated licence.



<https://creativecommons.org/licenses/by/4.0/>

Muḍārabah and *mushārah* as micro-equity finance: perception of Selangor's disadvantaged women entrepreneurs

Selangor's disadvantaged women entrepreneurs

217

Reazul Islam

Albukhary International University, Alor Setar, Malaysia, and

Rubi Ahmad

Faculty of Business and Accountancy, University of Malaya, Kuala Lumpur, Malaysia

Received 9 April 2018
Revised 27 June 2018
10 February 2019
12 June 2020
1 July 2020
Accepted 1 July 2020

Abstract

Purpose – This study aims to gain the perception of Selangor's disadvantaged women on the Sharī'ah (Islamic law) rules on two micro-equity financing instruments, namely, *muḍārabah* (profit sharing) and *mushārah* (profit-and-loss sharing) (M&M).

Design/methodology/approach – A survey was carried out in the rural area of Selangor district in Malaysia by administering a self-generated structured questionnaire. A total of 330 completed questionnaires were retrieved from the members of an Islamic microfinance institution (IsMFI), namely, Amanah Ikhtiar Malaysia (AIM). The data were analysed by using structural equation modelling.

Findings – The female borrowers of AIM perceive the Sharī'ah rules of M&M requiring high moral and ethical values and diligent repayment performance. They are aware of some other underlying provisions such as business liquidation, share transfer, information disclosure and business termination. The overall findings of this study suggest that the perceived Sharī'ah rules are akin to those that are commonly used in general partnership businesses between Muslims. It also indicates that disadvantaged entrepreneurs would accept the rules that are easy to comprehend as well as favourable to their interests. It further suggests that respondents' experiences of microfinance and business operation do not have a significant influence on their perception of M&M instruments.

Research limitations/implications – This study was limited to Selangor. So, the perception of Muslim women surveyed may not represent the views of all women in Malaysia. However, it can offer a primary understanding of the said issue.

Practical implications – The findings of this study can help IsMIFs take initiatives to offer M&M as micro-equity finance to poor women entrepreneurs.

Originality/value – So far, limited studies have been carried out on M&M-based microfinancing. This paper offers new insights presenting disadvantaged women entrepreneurs' perception of these financing instruments.

Keywords Islamic microfinance, *Muḍārabah*, *Mushārah*, Profit and loss sharing approach, Sharī'ah rules

Paper type Research paper

© Reazul Islam and Rubi Ahmad. Published in *ISRA International Journal of Islamic Finance*. Published by Emerald Publishing Limited. This article is published under the Creative Commons Attribution (CC BY 4.0) licence. Anyone may reproduce, distribute, translate and create derivative works of this article (for both commercial and non-commercial purposes), subject to full attribution to the original publication and authors. The full terms of this licence may be seen at <http://creativecommons.org/licenses/by/4.0/legalcode>

This research was funded by the Institute of Research Management & Monitoring (*Institut Pengurusan & Pemantauan Penyelidikan*) of University of Malaya (UM). Grant No: UM.TNC2/IPPP/PPGP/638/PPP.



Introduction

The profit-and-loss sharing (PLS) approach is the distinct characteristic of Islamic finance. This feature fundamentally differentiates the Islamic financial system from the debt-based conventional system (Mallinckrodt *et al.*, 2016). Malaysia is one of the most successful countries in the world in terms of having a flourishing Islamic banking and finance industry. However, two main PLS products, namely, *mudārabah* and *mushārahah* (M&M), are scarcely offered by Islamic banks (Chong and Liu, 2009; Sapuan, 2016). In particular, the application of M&M in Islamic microfinance is said to be totally absent (Rozzani *et al.*, 2017; Usman *et al.*, 2017). It is worth mentioning that the Malaysian microfinance industry is practising Islamic microfinance solely by offering *qardḥan* (interest-free loan) by charging a certain administrative fee on top of the loan (Abdullah *et al.*, 2019). Several studies pointed out that Islamic financial institutions (IFIs) are reluctant to offer these instruments because of the issues of credit risks, moral hazard, agency problems and the discretionary power of clients (Akin *et al.*, 2016; Mili and Abid, 2017; Fianto *et al.*, 2018; Bello *et al.*, 2020).

In the *mudārabah* contract, the Islamic microfinance institution (IsMFI) as the *rabb al-māl* (capital provider) contributes capital to start a commercial venture and the client, who is the *mudarīb* (manager), takes sole responsibility to manage the business (ElGindi *et al.*, 2009). According to the Shari'ah (Islamic law), the *rabb al-māl* can receive a mutually agreed share of the profit at the end of the business cycle; but if the business incurs any loss, this party must bear the full amount of the loss (Iqbal and Mirakhor, 2011). However, there is a provision that if the financial loss happens because of the *mudarīb*'s misconduct or negligence, the *rabb al-māl* is authorized to impose the loss on the *mudarīb* (Khan, 2008b). On the other hand, in the *mushārahah* contract, both parties are entitled to be business partners by contributing capital and managerial efforts. They mutually share the business' output, whether it is profit or loss (Iqbal and Mirakhor, 2011). In both partnership agreements, the client is mainly responsible for managing the business.

Similar to other financing contracts, the primary concern in the M&M agreement is to identify appropriate clients. *Mudārabah* is a trust-based agreement and *mushārahah* needs capital participation. In this regard, it is important to consider certain attributes that clients should possess. It is also necessary to ascertain the amount of the capital for the proposed business and define the ratio of PLS. These provisions depend on the mutual agreement between the parties involved (Jais *et al.*, 2020).

M&M instruments must be used for commercial or productive purposes with no financial speculation (Khan, 2008a). No *ḥarām* (Islamically impermissible) businesses, such as gambling, prostitution, pork breeding and selling of alcohol, can be conducted by using these funds (Kamla and Alsoufi, 2015). An unethical *mudarīb* may hide business-related information or overspend on business operations or under-report the profit to gain a higher share than that stipulated in the agreement (Abdul Rahman and Dean, 2013). To resolve such ex-post hazards, a proper monitoring mechanism needs to be put in place. Furthermore, to protect the investment and prevent financial risk, specific rules need to be exercised (Rosly, 2005; BNM, 2010). Hence, the setting up of a control mechanism is necessary, as will be detailed later.

Shari'ah-based rules have been specified to regulate M&M partnerships (BNM, 2007, 2010, 2012, 2015). Any IsMFI having the infrastructure and necessary resources can offer these instruments to poor entrepreneurs. Presumably, lack of knowledge about clients' perceptions is one of the factors that hinders IsMFIs from offering these instruments. An empirical study suggests that the acceptance of any financial product largely depends on the clients' understanding of the associated rules and attributes of

that product (Kalra *et al.*, 2015). Therefore, it would be worth exploring clients' perception of M&M to anticipate the applicability of M&M instruments.

Customers' experiences impact on their understanding of products' attributes (Chahal and Dutta, 2015). In this light, clients' experiences of microfinance presumably impact on their understanding of M&M. Clients with business experience are more interested in receiving capital from formal sources (Levie and Autio, 2013). In this case, they generally give priority to products' attributes to select the suitable product (Krishnan *et al.*, 1999). Hence, business experience would have impact on their perceptions as well.

The above discussion raises the following two research questions:

- RQ1. How do Malaysian underprivileged Muslim women entrepreneurs perceive the Shari'ah rules of M&M financing?
- RQ2. Do entrepreneurial women's experiences of microfinance and business impact on their perceptions of M&M financing?

In light of these questions, the objectives of this research are stipulated as follows:

- To explore the perception of Shari'ah rules of M&M financing by underprivileged Muslim women entrepreneurs in the State of Selangor, Malaysia.
- To determine whether entrepreneurial women's experiences of microfinance and business have an impact on their perceptions of M&M financing.

The next section discusses the Shari'ah rules for M&M. It is followed by a discussion of the methodology adopted to conduct this study. The following sections then demonstrate the results, discuss the findings and conclude the study.

Shari'ah rules for *muḍārabah* and *mushārah*

Both IFIs and their customers are obligated to follow the Shari'ah guidelines when dealing with any Islamic financial instrument. Notably, there is no published Shari'ah guideline in Malaysia for operating M&M-based microfinancing. For this reason, this study has chosen the general Shari'ah rules prescribed by Bank Negara Malaysia (BNM, 2007, 2010, 2012, 2015) for Islamic banking and finance operations. In this case, the basic Shari'ah rules have been chosen considering their appropriateness and adaptability to the architecture of M&M microfinancing. The authors' discretion could be considered as a limitation of the study. In particular, this study adopted specific Shari'ah principles that can presumably help identify the appropriate clients, determine the share of profit and loss while allocating the required amount of capital, monitor the business operations and control the risks under M&M. These Shari'ah rules for operating M&M are discussed further.

For the operational ease of microfinancing, this study prefers the restricted *muḍārabah* (*muḍārabah muqayyadah*) to the unrestricted *muḍārabah* (*muḍārabah mutlaqah*) contract. Unrestricted *muḍārabah* does not allow the *rabb al-māl* to interfere in the operations of the business. Restricted *muḍārabah*, on the other hand, offers options to impose terms and conditions for business operations. Besides, unrestricted *muḍārabah* is somewhat difficult for the financing institution to manage (Ibrahim, 2013). *Muzārah* (sharecropping partnership), which is another type of *muḍārabah* financing, is also disregarded in this study. This financial tool is suitable for the agricultural sector, which is not covered by this study.

In terms of the *mushārah* agreement, this study chose *shirkat al-milk* (partnership of ownership) and *shirkat al-amwāl* (partnership for undertaking work) and does not consider *shirkat al-wujūh* (partnership of creditworthiness) and *shirkat al-a māl* (service partnership).

Shirkat al-milk is a type of joint ownership by two or more people of a particular property. This *shirkah* (partnership) is used for purchasing and owning equipment or assets jointly. In *shirkat al-amwāl*, the involved parties invest some capital in a commercial enterprise. These two types of partnership seem more viable for the institutional practice of Islamic microfinancing. On the other side, in *shirkat al-a' māl* all partners render services to earn fees. For practising *shirkat al-wujūh*, no financial investment is required. Partners purchase the commodities on a deferred price and sell them for spot payment. This study also deliberately excluded *musaqāh*, which is another type of *mushārah* that deals with orchard financing (Tamami and Liu, 2017). However, it considers *mushārah mutanāqishah* (diminishing partnership), which is another type of *mushārah* contract in which the client initially enters into a joint-partnership with a lease-rental agreement with the view to owning a commercial enterprise, property or equipment. After paying the lease rentals the client owns the property (Abdullah *et al.*, 2019).

The selected parameters for operationalizing M&M-based Islamic microfinancing are as discussed further:

Identification

For the purpose of identification, this study selected a set of rules based on scholars' opinions and BNM rulings. ElGindi *et al.* (2009) and Dezsó and Loewenstein (2012) suggested trustworthiness, diligence, good reputation in business dealings, good credit history and good ethics to be basic conditions when considering clients for M&M financing. Ahmad (2016) emphasized transparency as the main condition for entering into the M&M agreement. ElGindi *et al.* (2009) highlighted good morals whereas Rulindo and Mardhatillah (2011) emphasized religiosity. BNM (2007, 2010) emphasized the trait of abiding by rules.

In this light, clients of M&M should be selected based on:

- trustworthiness;
- transparency;
- good morals;
- religiosity;
- good ethics;
- good reputation in business dealings;
- good credit history;
- diligence; and
- the trait of abiding by rules.

Measurement

In terms of measurement, this study selected a number of Sharī'ah rules such as capital sharing, PLS and ownership of the business/asset (upon paying the lease-rental of the tangible asset under *mushārah mutanāqishah* contract) as stated further:

- The IsMFI (*rabb al-māl*) provides full amount of the capital to the *mudarīb* (client) and the client is responsible for managing the business (in the *muḍarabah* contract).
- Profit is distributed on an agreed sharing ratio between the partners (in M&M).
- Both parties participate in the capital and manage the business (in *mushārah*).
- Loss is measured in proportion to the share of capital (in *mushārah*).

- Capital can be “financial capital” or “goods” (in M&M).
- By paying back the full price/capital to the financing institution, the client can own the entire business/asset (in *mushārahah mutanāqishah*).
- The capital-sharing ratio must be defined based on mutual agreement (in *mushārahah*).
- The profit-sharing ratio must be defined based on mutual agreement (in *muḍārahah* and *mushārahah*).
- If any loss occurs because of the misconduct of the *mudarīb*, it must be borne by the *mudarīb*; otherwise, the total loss will be borne by the financing institution (in *muḍārahah*).
- Upon termination of the joint business agreement, the total asset will be turned into cash and be distributed among the partners (in *mushārahah*).
- In terms of partnership transfer, the accrued profit or loss in a previous contract must be distributed to the previous partner (in *mushārahah*; i.e., in case a member has left the partnership).
- If any loss occurs upon termination of the partnership, the loss shall be borne by the partners according to the proportion of their capital (in *mushārahah*).
- Loss of capital in the course of the venture is recognized as capital impairment (in M&M) (BNM, 2007, 2010, 2012, 2015).

Monitoring

Disclosure of business information is one of the most important issues in monitoring. Proper information sharing can protect the investment as well as build trust between the *mudarīb* and the *rabb al-māl*. Though the general principle of *muḍārahah* financing does not allow the *rabb al-māl* to interfere in the business operations, in restricted *muḍārahah* contracts, the *rabb al-māl* can impose legitimate conditions that must be mutually agreed (Ibrahim, 2013). It is worth noting that the *rabb al-māl* cannot interfere in the *mudarīb*'s activities, but this party can monitor the business to prevent information asymmetry as well as credit risk (Sapuan *et al.*, 2012).

For the purpose of monitoring the M&M-based business, the prescribed Sharī'ah rules of BNM (2007, 2010, 2012, 2015) are:

- disclosing the market information;
- disclosing the business information;
- disclosing the production process;
- disclosing the production cost;
- disclosing the financial report;
- regular auditing;
- disclosing the cost of marketing and promotion; and
- joint management.

Controlling

To control business risks in *mushārahah* financing, joint management is prescribed as the most effective method. The partners possess the right to amend the policy to take a timely decision. But, for *muḍārahah* investment, where only one party is responsible for business

management, this study has chosen termination of the contract as a measure of controlling business risks. The selected Sharī'ah rules for controlling business risks in *mushārahah* are:

- participation of the Microfinance Institution (MFI) in business decision-making;
- the MFI may employ a manager to manage the business;
- the MFI can employ a third-party organization to manage the business; and
- business policy can be mutually amended.

And for both M&M:

- The business contract can be terminated at any time upon mutual agreement.
- If the business encounters unexpected loss, the partnership contract can be terminated.
- If the agreed time-period of the business is over, the MFI can terminate the business.
- If the business becomes complicated, the MFI can terminate the business.
- If a considerable amount of capital gets impaired, the MFI can terminate the business.
- If the client dies, the MFI can terminate the business (BNM, 2007, 2010, 2012, 2015).

Disadvantaged women in Malaysia

The incidence of absolute poverty is almost absent in Malaysia, with the figure being 0.4% in 2016 (Department of Statistics, 2019). However, evidence is apparently visible of poor and relatively poor persons (Nair and Sagar, 2015). The bottom 40% of the population shares only 16.8% of national income, the middle 40% shares 37.4% and the top 20% shares 46.1% of income (Department of Statistics, 2019). These statistics prove the existence of a huge income gap and disparity among Malaysians.

Women are presumably more deprived of income opportunity and are more prone to poverty and vulnerability than men. According to the Department of Statistics (2019), the gender gap index of Malaysia is 0.711, which shows that the gender inequality gap is 0.289. The score for educational attainment is 1.054. It indicates that women surpassed men in terms of educational attainment. Further, the economic participation and opportunity index stands at 0.727 and political empowerment at 0.106. Men are reported to be more privileged than women in terms of economic participation and empowerment. In other words, the statistics highlight that women in Malaysia are underrepresented in the job-market.

Being “socially disadvantaged” is defined as “a range of difficulties that block life opportunities and prevent people from participating fully in society” (Vinson *et al.*, 2007, p. 1). Disadvantaged people commonly experience exclusion, anxiety and low self-esteem because of having limited access to resources and less control over life (Wilkinson and Marmot, 2003; Ebert *et al.*, 2011). The term “disadvantaged women” generally refers to widows, single mothers, abused or abandoned women and women with incapacitated husbands living on marginal income and uncertainty (Women of Will, 2019). As the gender gap index suggests, Malaysian women are less active in economic activities compared to men. This phenomenon is higher in rural areas (Hirschman, 2017). Women living in villages are mostly homemakers. They lack the needed resources to generate income and get less opportunities to access the labour market. They are more likely to be poor (Masud *et al.*, 2018). Besides, occupational segregation and wage discrimination between men and women

are also vivid in the labour market (Ismail *et al.*, 2017). Evidence suggests that Malaysian women sometimes leave their jobs for homemaking and taking care of children. Cultural norms also prevent Muslim women from working on an equal footing with men (Miles, 2016). Thus, many women in Malaysia, particularly in rural areas, are deprived of opportunities and economic benefits, hindering their contribution to the economy.

This study particularly focuses on examining disadvantaged Muslim women entrepreneurs in rural areas, notably in Selangor State, and discussing their perceptions of equity-microfinancing.

Review of past studies

Islamic microfinance is at an early stage of operation and the practice of M&M is very limited; hence, the number of published literary works is also limited. This section reviews the recently published relevant literature on M&M-based microfinancing.

Abdullah *et al.* (2019) recently carried out an empirical study on Yayasan Usaha Maju, Amanah Ikhtiar Malaysia (AIM) and Tabung Ekonomi Kumpulan Usaha Niaga. They unearthed that these institutions are practising Islamic microfinance to a limited extent by using the *qardḥ ḥasan* instrument with a certain charge as an administrative fee. They made constructive arguments on how to integrate M&M instruments within the context of microfinance. They recommended that M&M would diversify the product portfolio of ISMFIs while highlighting the main tenets of Islamic finance.

Fianto *et al.* (2018) concluded from scrutiny of two years of panel data that equity microfinance and debt-based microfinance both have significant positive impact on rural household income in Indonesia. But Warninda *et al.* (2019) found that *mushārahakah* is riskier than the *muḍārahabah* instrument in the Middle East, South Asia and Southeast Asia. However, some empirical studies contradict their findings, showing that *muḍārahabah* financing is riskier than *mushārahakah* financing (Said *et al.*, 2013; Louhichi and Boujelbene, 2016). In this vein, Smolo and Ismail (2011) argued that *mushārahakah* is the more suitable instrument for microfinancing, as involving parties mutually contributes goodwill, cash or other forms of assets and share the profit/loss upon agreement. Abedifar *et al.* (2013) showed that the principal-agent conflict increases the monitoring cost in M&M financing. They underscored that equity financing outperforms debt-based financing.

Rahman and Nor (2016) conducted an empirical study in Malaysia to look into the obstacles that hinder the applications of M&M financing. They outlined four major barriers such as the high risk of investment, difficulty of selecting appropriate partners, creditworthiness of the partner and lack of capital security. Similarly, a few other studies concluded that because of the possibility of information asymmetry, moral hazard, adverse selection and costly monitoring, PLS financing is riskier (Beck *et al.*, 2013; Louhichi and Boujelbene, 2016). Aman and Ullah (2016) mentioned the same issues and challenges that MFIs are facing in practising M&M financing in Pakistan. On the other hand, El-Komi and Croson (2013) introduced very interesting outcomes that suggest clients who are engaged in M&M contracts are more likely to comply with the terms of their financing than those in interest-based agreements.

In view of the limited studies carried out on M&M financing, this paper offers new insights by presenting disadvantaged Muslim women entrepreneurs' perceptions of these financing instruments. The Muslim women surveyed were, however, restricted to the rural area of Selangor State in Malaysia.

Methodology

The quantitative research method was adopted to conduct this study. The survey technique was used to achieve high external validity and generalizability (Creswell and Creswell, 2017).

A structured questionnaire was administered in 2015 in Cheras, Selayang and Gombak in Selangor State to collect the data. A total of 330 completed questionnaires were collected from an equal number of respondents in the three regions by means of the stratified convenient sampling technique. All the respondents were Muslim women and represented members of an IsMFI, namely, AIM. AIM is the largest MFI providing Islamic microfinance across Malaysia. This organization basically offers *qard hasan* (benevolent loans) as microloans (Saad, 2012; Alam *et al.*, 2015). All the members of AIM are economically disadvantaged but possess the necessary business skills.

The data were analysed by using descriptive and inferential statistics. Exploratory factor analysis (EFA) and confirmatory factor analysis (CFA) were adopted followed by structural equation modelling (SEM). In this regard, a software package, SPSS[®] AMOS (21) was used.

Model fit indices

The Chi-square (CHIN/DF) was chosen as the primary fit index (Moss, 2016). A non-significant chi-square indicates a good model fit (Barrett, 2007). But this index can be affected by the sample size and the size of correlations of the model. Besides, it assumes multivariate normality (Hooper *et al.*, 2008; Kenny, 2015). Considering all the possible sensitivities of Chi-square, this study adopted some other fit indices, such as goodness of fit index (GFI), adjusted goodness of fit index (AGFI), comparative fit index (CFI), root mean square residual (RMR), Tucker Lewis index (TLI), normed fit index (NFI), root mean square error of approximation (RMSEA) and p of Close Fit (PCLOSE) (Hu and Bentler, 1999; Schermelleh-Engel *et al.*, 2003; Kenny, 2015).

Population and sampling

The members of AIM were chosen as the population for this study because AIM is the only MFI providing financial services to disadvantaged rural people who are basically running small businesses for their livelihood. A great majority of the members of AIM are women (Saad, 2012). AIM is currently serving 379,824 members through 134 branches all over Malaysia (AIM, 2019). The key rationales for choosing AIM's members are:

- ease of reaching disadvantaged women;
- respondents have knowledge of microfinance; and
- members of AIM are engaged in business.

The sample size of this study fits the sampling criteria of factor analysis and SEM. Factor analysis requires at least 300 samples whereas SEM needs more than 200 samples (Kenny, 2015). By reaching 330 (n) successful respondents, this study achieved the required sample size.

Data analysis and findings

Descriptive statistics were used to describe respondents' socio-demographic information and inferential statistics were used to answer the research questions. It is worth mentioning that all the missing values were replaced with the nearby "median", as the missing value is unaccepted in SEM analysis (Allison, 2003).

Socio-demographic information

About 19.1% ($n = 63$) of the respondents were of young age, 72.1% ($n = 238$) of middle age and the rest, 8.8% ($n = 29$) were senior citizens. Most of the respondents were married

(79.3%, $n = 270$), only 3.9% ($n = 13$) were single (never married), 7.3% ($n = 24$) widowed, 6.1% divorced and 0.9% ($n = 3$) separated. The majority of respondents were actively running businesses (66.9%, $n = 221$) while only 15.8% of them were housewives (passively involved in business activities). About 7.3% of the respondents were earning salaries by engaging in formal jobs and 10% were involved in other types of income-generating activities [1].

In terms of economic status, evidence of the absolute poor, with income below RM 700 [2], was almost absent (only 0.6%). However, 21.1% ($n = 40$) of the respondents were poor with income between RM 751 and RM 1,700; 38.5% ($n = 127$) had low income between RM 1,701 and RM 2,500; and 48.8% ($n = 161$) had middle income between RM 2,501 and RM 5,550 (Sabri and Zakaria, 2015; EPU, 2016). Almost every respondent had received formal education. Only two respondents reported not having academic literacy. However, 69.4% ($n = 229$) of them had sijil pelajaran malaysia certificate, 8.2% ($n = 27$) sijil tinggi persekolahan malaysia, 7% ($n = 23$) bachelor's degree, 1.5% ($n = 5$) post-graduate degree and the remaining 9.7% of the respondents ($n = 32$) obtained "Form 3" and diploma courses.

Exploratory factor analysis

Maximum likelihood and oblique rotation (*promax*) methods were used for EFA (Costello and Osborne, 2005). By this technique, four factors were formed while correlations among the observed variables were measured (MacCallum, 2009). These factors were:

- identification (I);
- measurement (M);
- monitoring (MO); and
- controlling (C).

These factors (latent variables) were created with the items (observed variables/Sharī'ah parameters) that scored high factor loadings/standardized regression weights (β) (Brown, 2009). The factor of identification (I) was represented by six observed variables (I4, I5, I6, I7, I8 and I9); measurement (M) by four (M18, M19, M20 and M21); monitoring (MO) by three (MO28, MO29 and MO30); and controlling (C) by three variables (C37, C38 and C39).

Kaiser–Meyer–Olkin measure and goodness of fit tests

The Kaiser–Meyer–Olkin (KMO) measure of sampling adequacy statistic was 0.862, which is significant [recommended value is ≥ 0.6 (Neill, 2008)]. The Bartlett's test of sphericity was also significant (χ^2 [3214.157] by the degree of freedom 120, at $p < 0.05$). This implies that the observed variables under each factor were not identical. According to the goodness-of-fit test statistics, the overall model was statistically fit ($\chi^2 = 192.92$ at $p < 0.001$).

Factor correlation matrix and reliability

The factor correlation matrix table (Table I) shows that all the factors were positively correlated with the values being less than 0.5. This implies that the latent variables were intercorrelated but did not pose any multicollinearity or singularity problem (Field, 2000).

The values of Cronbach alpha (α) suggest strong coherence and reliability of the items. As all the values of alpha (α) are above 0.70, all items (observed variables) are reliable and consistent (Costello and Osborne, 2005; Lavrakas, 2008). Table II displays the summary of the EFA.

Scree plot

The scree plot (Figure 1) exhibits the eigenvalues in a descending order. The upward trend of the plot indicates the higher eigenvalues of significant factors (Vogt, 2005).

The values of the first four factors are immediately above the Eigenvalue 1 (cut-off point ≥ 1) and from the fifth factor, the line of the plot goes almost horizontally (< 1). Hence, the minimum eigenvalue of each factor is > 1 , which is acceptable (Costello and Osborne, 2005). Therefore, all four factors are worth keeping.

Confirmatory factor analysis

According to the pattern matrix table (in EFA), a measurement model is built. This model leads to conduct the CFA as well as determine the consistency with observed variables.

Figure 2 is a measurement model based on the output of the EFA. The model fit indices show CHIN/DF = 2.601 at $p < 0.001$. RMR value is 0.071 [recommended value is 0.05-0.08 (Hu and Bentler, 1999)]. The values of GFI and AGFI are 0.913 and 0.880, respectively [recommended value for GFI is > 0.95 (Shevlin and Miles, 1998) and AGFI is > 0.90 (Kline, 2005)]. The value of CFI is 0.950, which is significant [recommended value is > 0.90 (Hu and Bentler, 1999)]. Furthermore, TLI is 0.939 and NFI is 0.922, which are significant (Kenny, 2015). On the other hand, RMSEA is > 0.05 (0.070) and PCLOSE is < 0.05 (0.001), which are

Factors	1	2	3	4
1	1.000			
2	0.466	1.000		
3	0.241	0.483	1.000	
4	0.170	0.344	0.435	1.000

Table I.

Factor correlation matrix

Notes: Extraction method: maximum likelihood. Rotation method: promax with Kaiser normalization. where 1 = Identification, 2 = Measurement, 3 = Monitoring, 4 = Controlling

Factors	Items	Items' loadings	Communalities (h^2)	% of variance (cumulative)	Cronbach alpha (α)	Eigen value
Identification (I)	I4	0.655	0.476	33.80 (33.80)	0.913	5.91
	I5	0.796	0.676			
	I6	0.841	0.662			
	I7	0.837	0.673			
	I8	0.834	0.699			
	I9	0.844	0.730			
Measurement (M)	M18	0.725	0.490	16.77 (50.60)	0.826	2.93
	M19	0.712	0.595			
	M20	0.837	0.659			
	M21	0.652	0.499			
Monitoring (MO)	MO28	0.729	0.659	7.95 (58.55)	0.893	1.63
	MO29	0.960	0.862			
	MO30	0.857	0.736			
Controlling (C)	C37	0.811	0.661	6.94 (65.49)	0.866	1.31
	C38	0.864	0.760			
	C39	0.804	0.642			

Table II.

Result summary: factor analysis

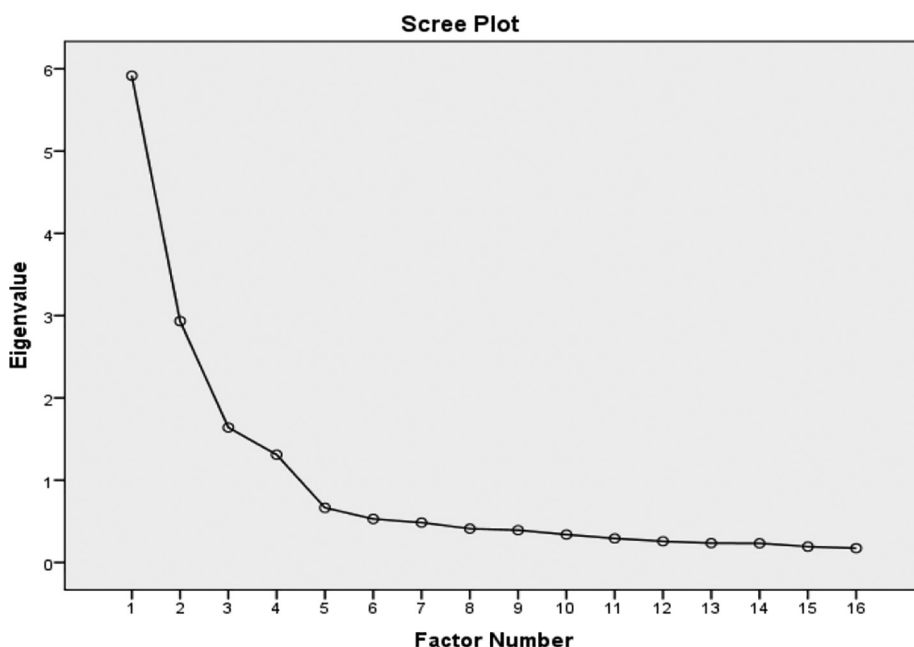


Figure 1.
Scree plot

not significant (Kenny, 2015). Thus, the model cannot be considered perfectly fit with the data, but it can be further improved by reducing less significant items (items bearing standardized regression weight [β] below < 0.7).

Figure 3 is a re-specified model built after reducing two items I4 and M18 with beta (β) value < 0.7 . The model fit indices suggest CHIN/DF = 1.443, which is significant at $p < 0.05$. Besides, RMR value is lower than the previous model (from 0.071 to 0.058). The values of GFI and AGFI improved slightly (0.961 and 0.939 accordingly) and reached the cut-off point. The value of CFI improved from 0.950 to 0.989 and reached the cut-off point (Hu and Bentler, 1999). Furthermore, TLI is 0.985 and NFI is 0.966, which are significant as well (Kenny, 2015). RMSEA and PCLOSE values are significant, representing 0.037 and 0.919, respectively (Kenny, 2015). Thus, this model can be considered as a fitted model. Items with the statistically significant standardized regression weight (β) are presented in Table III.

Construct validity

The convergent validity and discriminant validity are measured to examine the reliability and traits of correlations among the variables (Brown, 2000). The convergent validity shows the extent to which a measure is related to other measures in the same construct while discriminant validity defines the level of correlations among the variables by measuring the different traits. The low correlations among the variables indicate the existence of discriminant validity (Cramer, 2004; Salkind, 2010).

Table IV shows that the composite reliability (CR) for each factor is higher than 0.8 (recommended > 0.7), the average variance extraction (AVE) is higher than 0.5 and the maximum shared variance (MSV) and average shared variance (ASV) are lower than the AVE (Hair et al., 2010). Besides, the value of Cronbach alpha (α) is > 0.8 (George and Mallery, 2016). This implies that all the factors have achieved reliability and convergent validity.

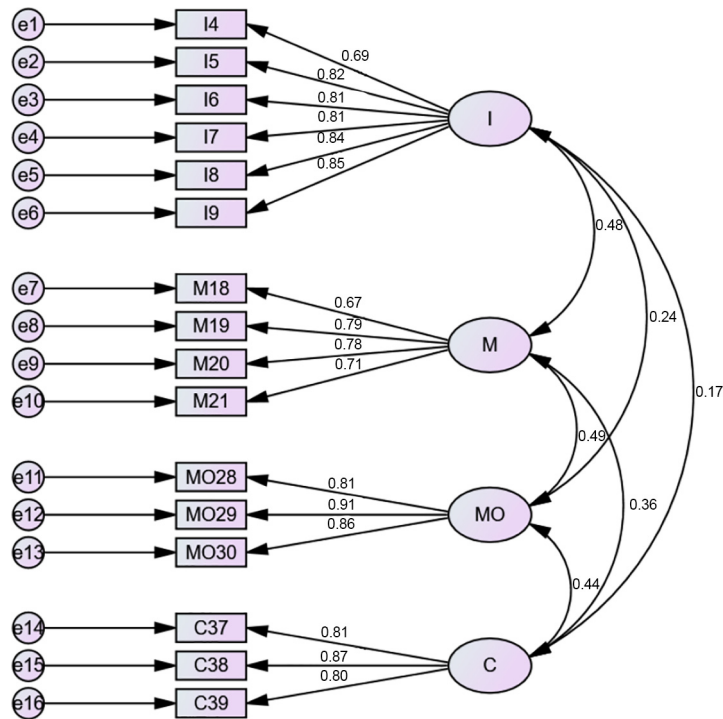


Figure 2.
Measurement model

Notes: where I = Identification; M = Measurement; MO = Monitoring; C = Controlling

Table V displays that the square root of AVE for each construct is higher than the inter-construct correlations (Hair *et al.*, 2010). This implies that the discriminant validity is adequate for the constructs.

Overall, the results of the inferential statistics suggest that the observed variables (Shari‘ah parameters) have high standard regression weight ($\beta > 0.7$) at $p < 0.001$. All latent variables have achieved reliability and convergent validity. Besides, discriminant validity is adequate for the construct. Therefore, these findings can be considered valid and representative.

Discussion

Table III demonstrates the significant Shari‘ah rules perceived by Malaysian poor women entrepreneurs. This finding suggests that the female members of AIM understand the normative rules of the partnership business. It also reflects their inclination to the common rules of MFIs. For instance, under the factor “identification”, the parameters with high factor loadings are: “good ethics”, “good reputation of business dealings”, “good credit history”, “diligent repayment” and “being rule abiding”. Understandably, these parameters are commonly given consideration in business partnerships. Besides, Islamic codes of behavioural conduct also suggest Muslims abide by the aforesaid rules. It can also be assumed that the respondents might learn these rules from AIM, as AIM provides clients

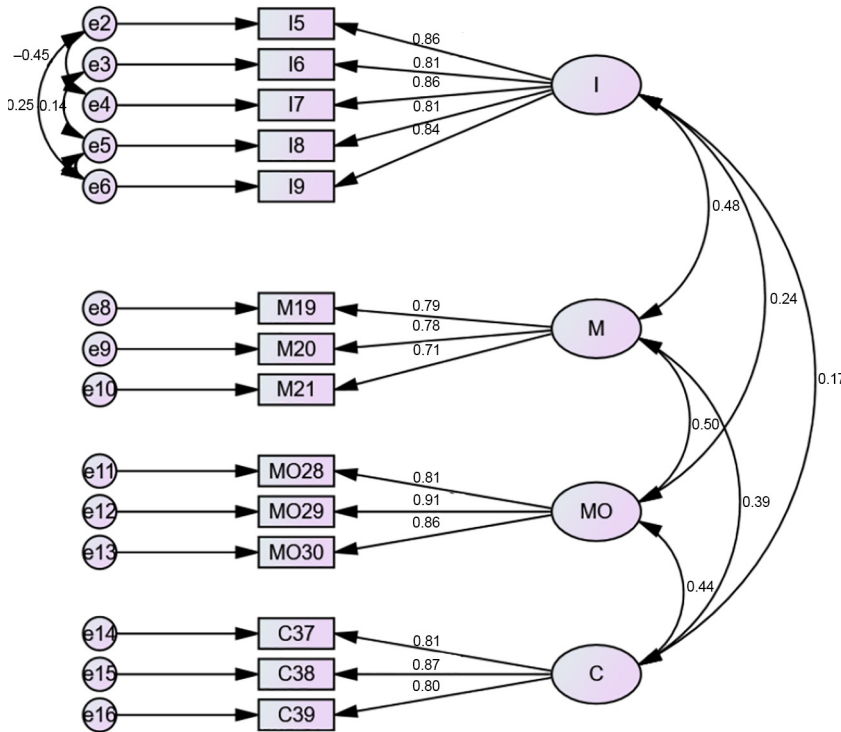


Figure 3.
Specified model

<i>z</i>	Items no.	Items	<i>p</i>	β
Identification	I5	Good ethics	<0.001	0.855
	I6	Good reputation of business dealings	<0.001	0.812
	I7	Good credit history	<0.001	0.862
	I8	Diligent repayment	<0.001	0.810
	I9	Being rule abiding	<0.001	0.841
Measurement	M19	Liquidation upon termination	<0.001	0.788
	M20	Previous loss or gain goes to the former partner in case of share transfer	<0.001	0.778
	M21	Proportionately loss sharing upon termination	<0.001	0.712
Monitoring	MO28	Revealing production process	<0.001	0.811
	MO29	Revealing production cost	<0.001	0.913
	MO30	Revealing marketing and promotional cost	<0.001	0.859
Controlling	C37	Business termination if it is complicated	<0.001	0.812
	C38	Business termination if the contractual period is over	<0.001	0.867
	C39	Business termination if the capital is impaired	<0.001	0.803

Table III.
Standardized
regression weights
(β)

Notes: Where I = Identification; M = Measurement; MO = Monitoring; and C = Controlling

with training on entrepreneurship, business management and ethical conduct. Furthermore, they might learn from their experiences of being in partnership businesses.

In terms of “measurement”, respondents seem pragmatic in selecting the Shari‘ah rules. They understand the rules of “business liquidation upon termination”, “previous financial loss or gain goes to the former partner in case of share-transfer” and “upon termination, the loss is shared proportionately with the capital participation”. Apparently, these are the common practices in almost every partnership business. As all the respondents are involved in running businesses, they might have experienced such rules from their regular business dealings.

Under the factor “monitoring”, the significant parameters are “revealing production processes”, “revealing production cost” and “revealing marketing and promotional cost”. These findings indicate the open-mindedness of Malaysian entrepreneurial women to the partnership business.

In the case of “controlling”, Shari‘ah rules such as “business termination if it is complicated”, “business termination if the contractual period is over” and “business termination if the capital is impaired” seem well comprehended by the respondents. They presumably understand these rules because they run their own businesses or based on prior experiences. These outputs also indicate that respondents possess enough professionalism and they have a rational understanding of partnership agreement.

Furthermore, this study examined the moderating effects of experiences of microfinance and business of the members of AIM to understand whether the variations of these attributes impact on their perceptions of M&M. The output of multi-group moderation is reported further (Table VI).

Findings from the group moderation analysis (Table VII) suggest that the variations of microfinance experience and business experience have trivial effects on clients’ perceptions

Table IV.
Convergent validity test

	CR	AVE	MSV	ASV	A
<i>MO</i>	0.896	0.743	0.246	0.165	0.893
<i>I</i>	0.921	0.699	0.229	0.105	0.913
<i>M</i>	0.804	0.578	0.246	0.209	0.826
<i>C</i>	0.867	0.685	0.194	0.124	0.866

Table V.
Discriminant validity

	MO	I	M	C
<i>MO</i>	<i>0.862</i>			
<i>I</i>	0.238	<i>0.836</i>		
<i>M</i>	0.496	0.479	<i>0.760</i>	
<i>C</i>	0.440	0.168	0.388	<i>0.828</i>

Notes: The diagonally listed italicised numbers are the squared root AVE and the off-diagonal elements are the correlations among the constructs. Since the values of diagonal elements are larger than the off-diagonal elements, the adequacy of discriminant validity is justified

Table VI.
Group differences

Group	Low	High
Microfinance experience (MExp)	168 (3 years and below)	162 (above 3 years)
Business experience (BExp)	179 (7 years and below)	151 (above 7 years)

of M&M financing. Differences in microfinance experience negatively impacts only on one parameter (I6) of the factor "Identification". On the other side, differences in business experience negatively impacts three parameters (I6, I7 and I9) of the same factor. These two moderating variables have no impact on the rest of the parameters of other factors. So, it can be concluded that in the case of offering M&M products, MFIs need to pay less or no attention to the levels of clients' business experience and microfinance experience.

In a nutshell, the overall findings suggest that the members of AIM in Selangor comprehend the Shari'ah rules that are easy to understand and commonly practised in the general partnership business. Some of the Shari'ah parameters (Table 3) with high factor-loading (standardized regression weight, β) reflect respondents' inclination to the rules that reserve their interest (for instance, the rules under the factor "measurement", "previous loss or gain goes to the former partner in case of share transfer" and "proportionately loss-sharing upon termination in *musharakah* contract"). Further, the group moderation suggests that in terms of the impact of business experience and microfinance experience, AIM's members can be treated equally without considering the length of their experience with microfinance and business.

Conclusion

Conventional microfinance was initiated with the purpose of alleviating poverty by providing financial services to the disadvantaged and the non-bankable (Le, 2017; Mia, 2017). However, several empirical studies pointed out that the excessive interest [3] charged by MFIs is one of the major barriers in poverty alleviation (Roberts, 2013; Nanayakkara and Stewart, 2015; Islam et al., 2018; Khazanov et al., 2018). Besides, most of the MFIs overly stress on loan repayments while they barely consider whether the borrowers are capable of using the loans for income generation (Chowdhury and Mukhopadhyaya, 2012; Islam et al., 2018).

Islamic microfinance could be considered as an emerging social welfare market niche as well as an alternative form of ethical financing and investment (Bello et al., 2020). Hence, the PLS approach of Islamic microfinance can be regarded as a viable and better alternative to serve the Muslim poor. Profit sharing can substitute for interest while mutual management can be expected to enhance the profitability and growth of the business. On the other hand, the provision that the ISMFI share financial loss might encourage clients to undertake risky ventures or rejuvenate non-performing businesses. Thus, M&M can contribute to institutional sustainability and growth while scaling up the income of poor entrepreneurs.

In a nutshell, this paper presents clients' perceptions of Shari'ah rules of M&M financing. Respondents perceive that M&M-based business dealings require sound moral values as well as repayment performance. They understand the underlying provisions of business liquidation, business termination and share transfer. They also understand the major

			MExp Low		MExp High		z-stat
			Estimate	p	Estimate	p	
I6	<—	I	1.131	< 0.001	0.759	< 0.001	-3.101***
			<i>BExp Low</i>		<i>BExp High</i>		
			<i>Estimate</i>	<i>p</i>	<i>Estimate</i>	<i>p</i>	<i>z-stat</i>
I6	<—	I	1.196	< 0.001	0.785	< 0.001	-3.05***
I7	<—	I	1.245	< 0.001	0.847	< 0.001	-2.935***
I9	<—	I	1.164	< 0.001	0.860	< 0.001	-2.32**

Notes: ***p-value < 0.01; **p-value < 0.05

Table VII.
Moderating effects
(z-statistics)

Sharī'ah rules of information disclosure where they have to reveal the production process and production and marketing costs. On the other hand, they are less aware of the elements of transparency and trustworthiness. Respondents seem unaware of the provision of owning assets through *mushārah mutanāqīshah*. Though they understand some rules of monitoring, they have a negative attitude towards revealing market information and to being under joint management and regular auditing.

This output may assist IsMFIs to modify the underpinning rules of these instruments to get better acceptance by poor entrepreneurs. Presumably, a proper understanding of these products could motivate this group of people to accept Sharī'ah rules as well as to be involved with M&M financing. It is obvious that respondents cannot properly comprehend many vital rules of "measurement", "monitoring" and "controlling". In this regard, MFIs may offer training programmes to enhance clients' understanding and entrepreneurial skills. Besides, some parameters may have to be modified so that they are well adapted within the context of microfinance. Hence, further research is needed to better understand microfinance clients' perception of the different modes of M&M financing as well as of Sharī'ah rules. Besides, suitably modified Sharī'ah rules can bring greater efficiency to IsMFIs while being more friendly to clients.

Notes

1. Formal jobs included: cashier, nurse, manager, clerk, school bus driver, cook, baker, shop assistant, retiree, school teacher, supervisor, sales assistant, admin assistant and sideline manager. Other income-generating activities included: tailor, consultant, house agent, wedding planner, dealer, promoter, SPA therapist, designer, craftsman financial advisor, contract driver.
2. RM 4.25 = US\$1.
3. The usual interest rates charged by prominent MFIs are: Grameen Bank, Bangladesh (20%); Banco Sol, Bolivia (47.5%-50.5%); Bank Rakyat, Indonesia Unit Desa (32%-43%); Badan Kredit Desa, Indonesia (55%); and FINCA Village banks (36%-48%) (Morduch, 1999; Jarro and Protter, 2018).

References

- Abdul Rahman, A. and Nor, S.M. (2016), "Challenges of profit-and-loss sharing financing in Malaysian Islamic banking", *Geografia-Malaysian Journal of Society and Space*, Vol. 12 No. 2, pp. 39-46.
- Abdul Rahman, R. and Dean, F. (2013), "Challenges and solutions in Islamic microfinance", *Humanomics*, Vol. 29 No. 4, pp. 293-306.
- Abdullah, M.F., Shamsuddin, Z. and Mahmood, S. (2019), "Challenges for sustainable Islamic microfinance institutions in Malaysia", in Mohd Sidek, N.Z., Said, R. and Wan Hasan, W.N. (Eds), *Islamic Development Management*, Springer, Singapore, pp. 127-140.
- Abedifar, P., Molyneux, P. and Tarazi, A. (2013), "Risk in Islamic banking", *Review of Finance*, Vol. 17 No. 6, pp. 2035-2096.
- Ahmad, S. (2016), "Banking panics and Islamic finance principles: lessons from the current crisis", *Islam and Civilisational Renewal*, Vol. 1 No. 2, pp. 358-361.
- AIM (2019), "Ringkasan Maklumat AIM", available at: <http://aim.gov.my/informasi/status/ringkasan-maklumat-aim> (accessed 9 February 2019).
- Akin, T., Iqbal, Z. and Mirakhor, A. (2016), "The composite risk-sharing finance index: implications for Islamic finance", *Review of Financial Economics*, Vol. 31, pp. 18-25.

- Alam, M.M., Hassan, S. and Said, J. (2015), "Performance of Islamic microcredit in perspective of *maqasid al-shari'ah*: a case study on Amanah Ikhtiar Malaysia", *Humanomics*, Vol. 31 No. 4, pp. 374-384.
- Allison, P.D. (2003), "Missing data techniques for structural equation modeling", *Journal of Abnormal Psychology*, Vol. 112 No. 4, pp. 545-557.
- Aman, N. and Ullah, K. (2016), "Challenges faced by the Islamic microfinance institutions in Pakistan", *Asian Journal of Islamic Finance*, Vol. 1 No. 1, pp. 1-13.
- Barrett, P. (2007), "Structural equation modelling: adjudging model fit", *Personality and Individual Differences*, Vol. 42 No. 5, pp. 815-824.
- Beck, T., Demirgüç-Kunt, A. and Merrouche, O. (2013), "Islamic vs conventional banking: business model, efficiency and stability", *Journal of Banking and Finance*, Vol. 37 No. 2, pp. 433-447.
- Bello, H.S., Hassan, Y.J. and Ahmad, N. (2020), "Islamic microfinance as a veritable socially responsible investment towards achieving beneficial social and business goals: a literature review", *Studies in Indian Place Names*, Vol. 40 No. 60, pp. 747-762.
- BNM (2007), "Guidelines on Musharakah and Mudharabah contracts for Islamic banking institutions", available at: www.bnm.gov.my/guidelines/01_banking/04_prudential_stds/15_mnm.pdf (accessed 24 June 2020).
- BNM (2010), *Draft of Shariah Parameter Reference 4: Musharakah Contract*, Bank Negara Malaysia, Kuala Lumpur.
- BNM (2012), *Shariah Standard on Mudarabah*, Bank Negara Malaysia, Kuala Lumpur.
- BNM (2015), "Musarakah", available at: www.bnm.gov.my/guidelines/05_Sharī'ah/Musarakah.pdf (accessed 28 June 2018).
- Brown, J.D. (2000), "What is construct validity?", *Shiken: JALT Testing and Evaluation SIG Newsletter*, Vol. 4 No. 2, pp. 8-12.
- Brown, J.D. (2009), "Choosing the right number of components or factors in PCA and EFA", *Shiken: JALT Testing and Evaluation SIG Newsletter*, Vol. 13 No. 2, pp. 19-23.
- Chahal, H. and Dutta, K. (2015), "Measurement and impact of customer experience in banking sector decision", *DECISION*, Vol. 42 No. 1, pp. 57-70.
- Chong, B.S. and Liu, M.H. (2009), "Islamic banking: interest free or interest based?", *Pacific-Basin Finance Journal*, Vol. 17 No. 1, pp. 125-144.
- Chowdhury, T.A. and Mukhopadhaya, P. (2012), "Assessment of multidimensional poverty and effectiveness of microfinance-driven government and NGO projects in the rural Bangladesh", *The Journal of Socio-Economics*, Vol. 41 No. 5, pp. 500-512.
- Costello, A.B. and Osborne, J.W. (2005), "Best practices in exploratory factor analysis: four recommendations for getting the most from your analysis", *Practical Assessment, Research and Evaluation*, Vol. 10 No. 7, pp. 1-9.
- Cramer, D. (2004), "Moderating or moderator effect or variable, moderated relationship", in Howitt, D. (Ed.), *The SAGE Dictionary of Statistics*, Sage, CA.
- Creswell, J.W. and Creswell, J.D. (2017), *Research Design: Qualitative, Quantitative, and Mixed Methods Approaches*, Sage Publications, CA.
- Department of Statistics (2019), Report of Household Income and Basic Amenities Survey 2016, available at: www.dosm.gov.my/v1/index.php?r=column/cthemeByCat&cat=120&bul_id=RUZ5REwveU1ra1hGL21JWVlPRmU2Zz09&menu_id=amVoWU54UT10a21NWmdhMjFMMWcyZz09 (accessed 4 February 2019).
- Dezsó, L. and Loewenstein, G. (2012), "Lenders' blind trust and borrowers' blind spots: a descriptive investigation of personal loans", *Journal of Economic Psychology*, Vol. 33 No. 5, pp. 996-1011.
- Ebert, L., Ferguson, A. and Bellchambers, H. (2011), "Working for socially disadvantaged women", *Women and Birth*, Vol. 24 No. 2, pp. 85-91.

- ElGindi, T., Said, M. and Salevurakis, J.W. (2009), "Islamic alternatives to purely capitalist modes of finance: a study of Malaysian banks from 1999 to 2006", *Review of Radical Political Economics*, Vol. 41 No. 4, pp. 516-538.
- El-Komi, M. and Croson, R. (2013), "Experiments in Islamic microfinance", *Journal of Economic Behavior and Organization*, Vol. 95, pp. 252-269.
- EPU (2016), "Household income and poverty", available at: www.epu.gov.my/en/household-income-poverty (accessed 7 February 2017).
- Fianto, B.A., Gan, C., Hu, B. and Roudaki, J. (2018), "Equity financing and debt-based financing: evidence from Islamic microfinance institutions in Indonesia", *Pacific-Basin Finance Journal*, Vol. 52, pp. 163-172.
- Field, A.P. (2000), *Discovering Statistics Using SPSS for Windows: Advanced Techniques for the Beginner*, Sage Publications, CA.
- George, D. and Mallery, P. (2016), *IBM SPSS Statistics 23 Step by Step: A Simple Guide and Reference*, Taylor and Francis Group, New York, NY.
- Hair, J.F., Black, W.C. and Babin, B.J. (2010), *Multivariate Data Analysis*, Prentice Hall, NJ.
- Hirschman, C. (2017), "Gender, the status of women, and family structure in Malaysia", *Malaysian Journal of Economic Studies*, Vol. 53 No. 1, pp. 33-50.
- Hooper, D., Coughlan, J. and Mullen, M. (2008), "Structural equation modelling: guidelines for determining model fit", *Electronic Journal of Business Research Methods*, Vol. 6 No. 1, pp. 53-60.
- Hu, L.T. and Bentler, P.M. (1999), "Cutoff criteria for fit indexes in covariance structure analysis: conventional criteria versus new alternatives", *Structural Equation Modeling: A Multidisciplinary Journal*, Vol. 6 No. 1, pp. 1-55.
- Ibrahim, A.A. (2013), "Can Islamic banking offer some lessons to Islamic microfinance? Sharia-compliant financial services: challenges and opportunities", available at: www.cgap.org/blog/can-islamic-banking-offer-some-lessons-islamic-microfinance (accessed 22 November 2016).
- Iqbal, Z. and Mirakhor, A. (2011), *An Introduction to Islamic Finance: Theory and Practice*, John Wiley and Sons, Singapore.
- Islam, R., Karim, M.A. and Ahmad, R. (2018), "Forced loan-recovery technique of the microfinance institutes in Bangladesh and its impact on the borrowers: an empirical study on Grameen bank, BRAC and ASA", *Journal on Innovation and Sustainability. Risu Issn 2179-3565*, Vol. 9 No. 3, pp. 75-93.
- Islam, R., Karim, M.A., Ahmad, R. and Nittoli, A. (2018), "Loan repayment pressure in the practice of microfinance in Bangladesh: an empirical study on Grameen bank, BRAC and ASA", *Journal of Rural Development*, Vol. 37 No. 4, pp. 697-718.
- Ismail, R., Farhadi, M. and Wye, C.-K. (2017), "Occupational segregation and gender wage differentials: evidence from Malaysia", *Asian Economic Journal*, Vol. 31 No. 4, pp. 381-401.
- Jais, M., Sofyan, F. and Bacha, A.M. (2020), "Mudarabah and Musharakah as an equity financing model: issues in practice", *Proceedings Aceh Global Conference-Business, Economics, and Sustainable Development Trends*, Vol. 2, pp. 107-114.
- Jarrow, R.A. and Protter, P. (2018), "Fair microfinance loan rates", *International Review of Finance*, Vol. 19 No. 4, pp. 1-10.
- Kalra, V., Mathur, H.P. and Rajeev, P.V. (2015), "Microfinance clients' awareness index: a measure of awareness and skills of microfinance clients", *IIMB Management Review*, Vol. 27 No. 4, pp. 252-266.
- Kamla, R. and Alsoufi, R. (2015), "Critical Muslim intellectuals' discourse and the issue of 'interest' (*ribā*): implications for Islamic accounting and banking", *Accounting Forum*, Vol. 39 No. 2, pp. 140-154.
- Kenny, D.A. (2015), "Measuring model fit", available at: <http://davidakenny.net/cm/fit.htm#null> (accessed 6 March 2017).

- Khan, A.A. (2008a), "Commercialization of microfinance – is the sector losing its identity by evading its original 'social service' responsibility", *Social and Environmental Accountability Journal*, Vol. 28 No. 2, pp. 78-90.
- Khan, A.A. (2008b), *Islamic Microfinance: Theory Policy and Practice*, Islamic Relief Worldwide, Birmingham.
- Khazanov, A. Moav, O. and Neeman, Z. (2018), "The microfinance disappointment: an explanation based on risk aversion", CEPR discussion paper no. DP12659", available at: <https://ssrn.com/abstract=3112285> (accessed 12 March 2018).
- Kline, R.B. (2005), *Principles and Practice of Structural Equation Modeling*, The Guilford Press, New York, NY.
- Krishnan, M.S., Ramaswamy, V., Meyer, M.C. and Damien, P. (1999), "Customer satisfaction for financial services: the role of products, services, and information technology", *Management Science*, Vol. 45 No. 9, pp. 1194-1209.
- Lavrakas, P. (2008), *Encyclopedia of Survey Research Methods*, SAGE Publications Inc., CA.
- Le, C.A. (2017), "Microfinance: the impacts of a poverty reduction approach and financial systems approach on poor rural households in Vietnam", University Honors Theses, Paper 454.
- Levie, J. and Autio, E. (2013), "Growth and growth intentions", ERC White Paper No. 1, Enterprise Research Centre.
- Louhichi, A. and Boujelbene, Y. (2016), "Credit risk, managerial behaviour and macroeconomic equilibrium within dual banking systems: interest-free vs. interest-based banking industries", *Research in International Business and Finance*, Vol. 38, pp. 104-121.
- MacCallum, R.C. (2009), *The SAGE Handbook of Quantitative Methods in Psychology*, Sage Publications, London.
- Mallinckrodt, B., Miles, J.R. and Recabarren, D.A. (2016), "Using focus groups and Rasch item response theory to improve instrument development", *The Counseling Psychologist*, Vol. 44 No. 2, pp. 146-194.
- Masud, J., Haron, S.A. and Gikonyo, L.W. (2018), "Gender differences in income sources of the elderly in peninsular Malaysia", *Journal of Family and Economic Issues*, Vol. 29 No. 4, pp. 623-633.
- Mia, M.A. (2017), "An overview of the microfinance sector in Bangladesh", *The East Asian Journal of Business Management*, Vol. 7 No. 2, pp. 31-38.
- Miles, L. (2016), "The social relations approach, empowerment and women factory workers in Malaysia", *Economic and Industrial Democracy*, Vol. 37 No. 1, pp. 3-22.
- Mili, M. and Abid, S. (2017), "Moral hazard and risk-taking incentives in Islamic banks: does franchise value matter?", *International Journal of Islamic and Middle Eastern Finance and Management*, Vol. 10 No. 1, pp. 42-59.
- Morduch, J. (1999), "The microfinance promise", *Journal of Economic Literature*, Vol. 37 No. 4, pp. 1569-1614.
- Moss, S. (2016), "Fit indices for structural equation modeling", available at: www.sicotests.com/psyarticle.asp?id=277 (accessed 10 January 2017).
- Nair, S. and Sagarin, S. (2015), "Poverty in Malaysia: need for a paradigm shift", *Institutions and Economies*, Vol. 7 No. 3, pp. 95-123.
- Nanayakkara, G. and Stewart, J. (2015), "Gender and other repayment determinants of microfinancing in Indonesia and Sri Lanka", *International Journal of Social Economics*, Vol. 42 No. 4, pp. 322-339.
- Neill, J. (2008), *Sample Factor Analysis Write-up: exploratory Factor Analysis of the Short Version of the Adolescent Coping Scale*, Centre for Applied Psychology, University of Canberra.
- Roberts, P.W. (2013), "The profit orientation of microfinance institutions and effective interest rates", *World Development*, Vol. 41, pp. 120-131.

- Rosly, S.A. (2005), "Critical issues on Islamic banking and financial markets: Islamic economics", *Banking and Finance, Investments, Takaful and Financial Planning*, Dinamas, Kuala Lumpur.
- Rozzani, N., Mohamed, I.S. and Syed Yusuf, S.N. (2017), "Risk management process: profiling of Islamic microfinance providers", *Research in International Business and Finance*, Vol. 41, pp. 20-27.
- Rulindo, R. and Mardhatillah, A. (2011), "Spirituality, religiosity and economic performances of Muslim microentrepreneurs", paper presented at the 8th International Conference on Islamic Economics and Finance: Sustainable Growth and Inclusive Economic Development from an Islamic Perspective, Qatar National Convention Center, Doha, Qatar.
- Saad, M.N. (2012), "Microfinance and prospect for Islamic microfinance products: the case of Amanah Ikhtiar Malaysia", *Advances in Asian Social Science*, Vol. 1 No. 1, pp. 27-33.
- Sabri, M.F. and Zakaria, N.F. (2015), "Financial well-being among young employees in Malaysia", in Copur, Z. (Ed.), *Handbook of Research on Behavioral Finance and Investment Strategies: Decision Making in the Financial Industry*, IGI Global, Hersey, PA, pp. 221-235.
- Said, J., Hasnan, S. and Astrom, Z.H.O. (2013), "Credit risk management pertaining to profit-and-loss sharing instruments in Islamic banking", *Journal of Financial Reporting and Accounting*, Vol. 11 No. 1, pp. 80-91.
- Salkind, N. (2010), *Encyclopedia of Research Design*, SAGE Publications, CA.
- Sapuan, N.M. (2016), "An evolution of *mudarabah* contract: a viewpoint from classical and contemporary Islamic scholars", *Procedia Economics and Finance*, Vol. 35 No. 3, pp. 349-358.
- Sapuan, N.M., Shah, M. and Roly, M.R. (2012), "Shuratic process and optimal *muḍarabah* investment", paper presented at the AFBE 2012 Conference (UNITEN), Kuala Lumpur.
- Schermelleh-Engel, K., Moosbrugger, H. and Müller, H. (2003), "Evaluating the fit of structural equation models: tests of significance and descriptive goodness-of-fit measures", *Methods of Psychological Research Online*, Vol. 8 No. 2, pp. 23-74.
- Shevlin, M. and Miles, J.N.V. (1998), "Effects of sample size, model specification and factor loadings on the GFI in confirmatory factor analysis", *Personality and Individual Differences*, Vol. 25 No. 1, pp. 85-90.
- Smolo, E. and Ismail, A.G. (2011), "A theory and contractual framework of Islamic micro-financial institutions' operations", *Journal of Financial Services Marketing*, Vol. 15 No. 4, pp. 287-295.
- Tamanni, L. and Liu, F.H. (2017), "What is Islamic microfinance?", *Microfinance for Entrepreneurial Development*, Palgrave Macmillan, Cham.
- Usman, A., R, T., Ulum, Z. and Abubakar, A. (2017), "The role of Islamic micro-finance in enhancing the wellbeing of the clients: exploratory factor analysis", *Journal on Innovation and Sustainability. Risus Issn 2179-3565*, Vol. 8 No. 3, pp. 94-107.
- Vinson, T., Rawsthorne, M. and Cooper, B.A. (2007), *Dropping off the Edge: The Distribution of Disadvantage in Australia*, Jesuit Social Services, Melbourne.
- Vogt, W.P. (Ed.) (2005), *Dictionary of Statistics and Methodology: A Nontechnical Guide for the Social Sciences*, 3rd ed., Sage Publications, CA.
- Warninda, T.D., Ekaputra, I.A. and Rokhim, R. (2019), "Do *mudarabah* and *musharakah* financing impact Islamic bank credit risk differently?", *Research in International Business and Finance*, Vol. 49, pp. 166-175.
- Wilkinson, R.G. and Marmot, M. (2003), *Social Determinants of Health: The Solid Facts*, 2nd ed., World Health Organization, Denmark.
- Women of Will (2019), "About us", available at: <http://womenofwill.org.my/about-us/> (accessed 3 February 2019).

About the authors

Reazul Islam, PhD, is currently a Lecturer at the School of Business and Social Sciences (SBSS), Albukhary International University (AIU), Malaysia. He holds Doctor of Philosophy in Islamic Microfinance from University of Malaya (UM), Malaysia. His areas of research interest include microfinance, Islamic microfinance, social business and poverty. Reazul Islam is the corresponding author and can be contacted at: reaz_gk@yahoo.com

Rubi Ahmad, PhD, is an Associate Professor at the Faculty of Business and Accountancy (FBA), University of Malaya (UM), Malaysia. She obtained her PhD in Banking from Monash University, Australia. Her areas of specialization include finance and banking. She has a keen interest in research on poverty and Islamic microfinance.