

Gupta, Sorabh; Tewari, Puran C.

Article

Simulation modeling and analysis of a complex system of a thermal power plant

Journal of Industrial Engineering and Management (JIEM)

Provided in Cooperation with:

The School of Industrial, Aerospace and Audiovisual Engineering of Terrassa (ESEIAAT), Universitat Politècnica de Catalunya (UPC)

Suggested Citation: Gupta, Sorabh; Tewari, Puran C. (2009) : Simulation modeling and analysis of a complex system of a thermal power plant, Journal of Industrial Engineering and Management (JIEM), ISSN 2013-0953, OmniaScience, Barcelona, Vol. 2, Iss. 2, pp. 387-406, <https://doi.org/10.3926/jiem.2009.v2n2.p387-406>

This Version is available at:

<https://hdl.handle.net/10419/188401>

Standard-Nutzungsbedingungen:

Die Dokumente auf EconStor dürfen zu eigenen wissenschaftlichen Zwecken und zum Privatgebrauch gespeichert und kopiert werden.

Sie dürfen die Dokumente nicht für öffentliche oder kommerzielle Zwecke vervielfältigen, öffentlich ausstellen, öffentlich zugänglich machen, vertreiben oder anderweitig nutzen.

Sofern die Verfasser die Dokumente unter Open-Content-Lizenzen (insbesondere CC-Lizenzen) zur Verfügung gestellt haben sollten, gelten abweichend von diesen Nutzungsbedingungen die in der dort genannten Lizenz gewährten Nutzungsrechte.

Terms of use:

Documents in EconStor may be saved and copied for your personal and scholarly purposes.

You are not to copy documents for public or commercial purposes, to exhibit the documents publicly, to make them publicly available on the internet, or to distribute or otherwise use the documents in public.

If the documents have been made available under an Open Content Licence (especially Creative Commons Licences), you may exercise further usage rights as specified in the indicated licence.



<https://creativecommons.org/licenses/by-nc/3.0/>

Simulation modeling and analysis of a complex system of a thermal power plant

Sorabh Gupta¹, Puran C. Tewari²

¹Haryana College of Technology & Management (INDIA);

²National Institute of Technology (INDIA)

sorabh_gupta123@rediffmail.com; pctewari1@rediffmail.com

Received March 2009

Accepted July 2009

Abstract: The present paper deals with the opportunities for the modeling of flue gas and air system of a thermal power plant by making the performance evaluation using probabilistic approach. The present system of thermal plant under study consists of four subsystems with three possible states: full working, reduced capacity working and failed. Failure and repair rates for all the subsystems are assumed to be constant. Formulation of the problem is carried out using Markov Birth-Death process using probabilistic approach and a transition diagram represents the operational behavior of the system. Interrelationship among the full working and reduced working states has been developed. A probabilistic model has been developed, considering some assumptions. Data in feasible range are selected from a survey of thermal plant and the effect of each subsystem on the system availability is tabulated in the form of availability matrices, which provides various performance/availability levels for different combinations of failure and repair rates of all subsystems. Based upon various availability values obtained in availability matrices and graphs of failure/repair rates of different subsystems, performance and optimum values of failure/repair rates for maximum availability, of each subsystem is analyzed and then maintenance priorities are decided for all subsystems.

Keywords: performance evaluation, probabilistic approach, transition diagram and availability matrices

1 Introduction

The thermal industry is becoming quite complex with a huge capital investment being incurred on process automation to enhance the reliability of system. Invariably, the proper maintenance of such systems and the frequency of maintenance are some of the issues that are gaining importance in industry. The production suffers due to failure of any intermediate system even for small interval of time. The cause of failure may be due to poor design, system complexity, poor maintenance, lack of communication and coordination, defective planning, lack of expertise/experience and scarcity of inventories. Thus, to run a process plant highly skilled/ experienced maintenance personnel are required. According to Kumar and Pandey (1993), for efficient functioning, it is essential that various systems of the plant remain in upstate as far as possible. However, during operation they are liable to fail in a random fashion. The failed subsystem can however be inducted back into service after repairs/replacements. The rate of failure of the subsystems in the particular system depends upon the operating conditions and repair policies used.

A probabilistic analysis of the system under given operative conditions is helpful in forecasting the equipment behavior which further helps in design to achieve minimum failure in the system i.e. to optimize the system working. A thermal power plant is a complex engineering system comprising of various systems: coal handling, steam generation, cooling water, crushing, ash handling, power generation, feed water, steam & water analysis system and flue gas & air system. These systems are connected in complex configuration. One of the most important functionaries of a thermal plant is flue gas & air system. The optimization of each system in relation to one another is imperative to make the plant profitable and viable for operation. Effectiveness of thermal power plant is mainly influenced by the availability, reliability and maintainability of the plant, and its capability to perform as expected. The present paper provides a probabilistic model to plant personnel to analyse system performance and to achieve the maximum availability.

Some of the salient features of the proposed model are as follows:

- The proposed model provides an integrated modeling and analysis framework for performance evaluation of the flue gas and air system of thermal plant.

- The proposed model combines a strong mathematical foundation with an intuitive graphical representation.
- The transition diagram represents the possible states of the system.

1.1 Background

Reliability analysis techniques have been gradually accepted as standard tools for the planning and operation of automatic and complex thermal power plants. Barabady and Kumar (2007) state that, the most important performance measures for repairable system designers and operators are system reliability and availability. Availability and reliability are good evaluations of a system's performance. Their values depend on the system structure as well as the component availability and reliability. Kumar, Kumar and Mehta (1996) showed that the rate of failure of the components in the system depends upon the operating conditions and repair policy used. Barabady and Kumar (2008) conclude that from an economic point of view, high reliability is desirable to reduce the maintenance costs of systems. Blischke and Murthy (2003) suggested that since failure cannot be prevented entirely, it is important to minimize both its probability of occurrence and the impact of failures when they do occur. To maintain the designed reliability, availability and maintainability characteristics and to achieve expected performance, an effective maintenance program is a must and the effective maintenance is characterized by low maintenance cost. The maintenance of repairable systems has been widely studied by many authors, considering different focus of interest, such as the repair/replacement policy, periodic inspections, degrading, optimization problems, among other topics. The behaviour of complex systems can be studied in terms of their reliability, availability and maintainability (RAM). For example, Kurien (1988) developed a simulation model for analyzing the reliability and availability of an aircraft training facility. The model was useful for evaluating various maintenance alternatives. According to Ebling (1997), factors that affect RAM of a repairable system include machinery operating conditions, maintenance and infra-structural facilities.

During the last decade, a large number of analysis tools for reliability, availability, performance and performability modeling were developed [for example, Sanders and obal (1993), Johnson and Malek (1988), Butler (1986), Koren and Gaertner (1987) and Cirado, Muppala and Trivedi (1989)]. These tools encompass different

modeling paradigms such as fault trees, Markov chains, Petri nets and Activity nets. Advantages of Markov chains are the capability of modeling systems with shared repair. Lim and Chang (2000) studied a repairable system modeled by a Markov chain with two repair modes. According to Malhotra and Trivedi (1994), if the system structure is dynamic rather than static, this can be modeled accurately by Markov chains but only approximately by fault trees or reliability block diagrams. Some of the Markov analysis tools are; EHARP: suggested by Somani, Sharma and Nguyen (1994), HIMAP: by Krishnamurthy, Gupta and Somani (1996), SURE: given by Butler (1986), TANGRAM: by Bernson, De souza and Muntz (1991), SHARPE: described by Sahner and Trivedi (1987) and SURF-2: suggested by Beounes et al. (1993). In the past, several mathematical models, for example; Balaguruswamy (1984) and Dhillon (1983) have been developed, which handle wide degree of complexities for the prediction of availability. Most of these models are based on the Markovian approach, wherein the failure and the repair rates are assumed to be constant. In other words, the times to failure and the times to repair follow exponential distribution.

Further, according to Raje, Olaniya, Wakhare and Deshpande (2000), simulation has also become an important tool for assessing the availability of complex process plants. The advantage with the simulation model is that the non-Markovian failure and the repair processes can be modeled easily. Such modeling techniques help to investigate the more complex operations, failure and repair patterns.

1.2 Organization of the Paper

The section 2 presents and discusses the processing and description of flue gas and air system used for making the transition diagram. The assumptions used for development of model are also listed in this section. Section 3 describes the development of a mathematical model. Section 4 describes the performance analysis/evaluation made in this study. Section 5 and 6 describes the results and conclusions respectively of 'present study'.

2 Fuel gas and air system

The flue gases produced in the boiler furnace, by the combustion of fuel, evaporate water, running through the water walls of the boiler furnace, into steam. After losing much of their heat in converting water into steam, the flue gases flow

upwards through the boiler, being sucked by an induced draught fan. During their upward flow, they lose heat in super-heaters (to superheat the steam), reheaters (for reheating the steam), economizer (to heat the boiler feed water) and in the air-heaters (for heating the air required for combustion in the boiler furnace). After passing through the ash precipitators, the flue gases leave through the chimney.

2.1 System structure

A typical system consists of a number of subsystems connected to each other logically either in series or in parallel in most cases. The performance of the system depends on the configuration and performance of its subsystems. Before analyzing the failure data, it is better to describe the configuration of fuel gas and air system and classify it into various subsystems so that the failures can be categorized. The present system consists of following four subsystems:

- The assembly of four heaters & economizer (in series) constituting one subsystem, denoted by A, in which, failure of anyone results in to system failure.
- Two ESP (Electrostatic precipitator) constituting one subsystem, denoted by B, failure of anyone leads to system failure.
- Two FD (Forced draft) fans in parallel, constituting one subsystem and is denoted by C. Failure of any one reduces the capacity of plant & loss in production. Complete failure occurs when both units fails.
- Three ID (Induced draft) fans in parallel, constituting one subsystem and is denoted by D. Failure of any one reduces the capacity of plant & loss in production. Complete failure occurs when all units fails.

2.2 Assumptions

The assumptions used in developing the probabilistic model are:

- There is no simultaneous failure (Khanduja, Tewari, and Kumar, 2008).
- A repaired system is as good as new, performance wise, for a specified duration (Gupta, Tewari and Sharma, 2008a).

- Service includes repair and/or replacement (Gupta, Tewari and Sharma, 2009a).
- System failure/repair follows the exponential distribution.
- Standby subsystems are of the same nature and capacity as that of active subsystems (Gupta, Tewari and Sharma, 2009b).
- At any given time, the system is either in operating state or in the failed state (Gupta, Tewari and Sharma, 2008b).
- Failure/repair rates are constant over time and statistically independent (Kumar, Tewari and Kumar, 2007).
- Sufficient repair facilities are available (Srinath, 1994).

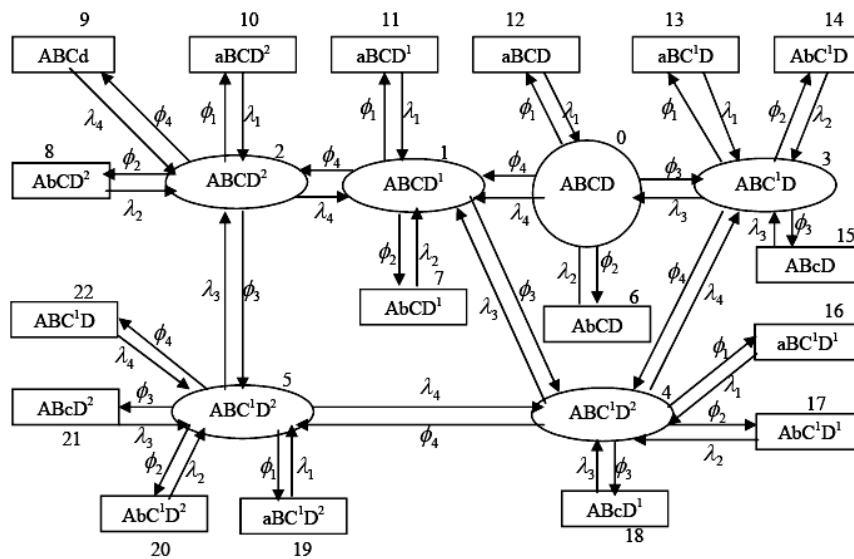


Figure 1. "Transition Diagram of flue gas and air system".

3 System simulation modeling

A component, at lowest level, can be either up or down, while a system can be in any possible state identified depending on the components of which it is made up and the state they are in. The simulation model for fuel gas and air system has been developed for making the availability analysis, hence performance evaluation, using Markov concept. Markov modeling is based on the assumption that a system and its components can be in different states. A Markov model is a so-called state-

space model and describes the transitions of one state to another. The flow of states for the system under consideration has been described in a transition diagram, which is based upon concepts given by Kumar, Kumar1 and Mehta (1999), as shown in Figure 3, which is logical representation of all possible state's probabilities encountered during the failure analysis of fuel gas and air system. Wolstenholme (1999) states that the transition probabilities only depend on the present state of the system. The model should include all components, the states they can be in and the frequency at which they change state. The failure and repair rates of the different subsystems are used as standard input information to the model. Formulation is carried out using the joint probability functions based on the transition diagram. These probabilities are mutually exclusive and provide the scope to implement Markovian approach for availability analysis of power generation process.

According to Markov, if $P_0(t)$ represent the probability of zero occurrences in time t , then the probability of zero occurrences in time $(t + \Delta t)$ is given by

$$P_0(t + \Delta t) = (1 - \lambda \Delta t).P_0(t) \quad (1)$$

$$\text{Similarly } P_1(t + \Delta t) = (\phi \Delta t).P_0(t) + (1 - \lambda \Delta t).P_1(t) \quad (2)$$

The equation 2, as stated by Srinath (1994), shows the probability of one occurrence in time $(t + \Delta t)$ and is composed of two parts, namely, (a) probability of zero occurrences in time t multiplied by the probability of one occurrence in the interval Δt and (b) the probability of one occurrence in time t multiplied by the probability of no occurrences in the interval Δt . Then simplifying and putting $\Delta t \rightarrow 0$, one gets

$$\left(\frac{d}{dt} + \phi\right)P_1(t) = \lambda.P_0(t) \quad (3)$$

Using the concept used in equation 3 and various probability considerations, the following differential equations associated with the transition diagram of fuel gas and air system are formed, as described by Kumar, Tewari and Sharma (2007).

$$P'_i(t) + \sum (\phi_i P_i)(t) = \sum \lambda_j P_k(t) \quad (4)$$

For $i = 1, 2, 3, 4$; $j = 1, k = 12$; $j = 2, k = 6$; $j = 3, k = 3$; $j = 4, k = 1$

$$P'_i(t) + \sum (\phi_r + \lambda_m) P_i(t) = \sum \lambda_j P_k(t) + \phi_4 P_{i-1}(t) \quad (5)$$

For $i = 1, r = 1, 2, 3, 4, m = 4$; $j = 1, k = 11$; $j = 2, k = 7$; $j = 3, k = 4$; $j = 4, k = 2$

For $i = 2, r = 1, 2, 3, 4, m = 4$; $j = 1, k = 10$; $j = 2, k = 8$; $j = 3, k = 5$; $j = 4, k = 9$

$$P'_i(t) + \sum (\phi_r + \lambda_m) P_i(t) = \sum \lambda_j P_k(t) + \phi_3 P_{i-3}(t) \quad (6)$$

For $i = 3, r = 1, 2, 3, 4, m = 3$

For $j = 1, k = 13$; $j = 2, k = 14$; $j = 3, k = 15$; $j = 4, k = 4$

$$P'_i(t) + \sum (\phi_r + \lambda_m) P_i(t) = \sum \lambda_j P_k(t) + \phi_3 P_{i-3}(t) + \phi_4 P_{i-1}(t) \quad (7)$$

For $i = 4, r = 1, 2, 3, 4, m = 3, 4$

For $j = 1, k = 16$; $j = 2, k = 17$; $j = 3, k = 18$; $j = 4, k = 5$

For $i = 5, r = 1, 2, 3, 4, m = 3, 4$

For $j = 1, k = 19$; $j = 2, k = 20$; $j = 3, k = 21$; $j = 4, k = 22$

$$P'_i(t) + \lambda_2 P_i(t) = \phi_2 P_k(t) \quad \text{For } i = 6, 7, 8 \quad k = 0, 1, 2 \quad (8)$$

$$P'_i(t) + \lambda_4 P_i(t) = \phi_4 P_k(t) \quad \text{For } i = 9 \quad k = 2 \quad (9)$$

$$P'_i(t) + \lambda_1 P_i(t) = \phi_1 P_k(t) \quad \text{For } i = 10, 11, 12 \quad k = 2, 1, 0 \quad (10)$$

$$P'_i(t) + \lambda_{i-12} P_i(t) = \phi_{i-12} P_k(t) \quad \text{For } i = 13, 14, 15 \quad k = 3 \quad (11)$$

$$P'_i(t) + \lambda_{i-15} P_i(t) = \phi_{i-15} P_k(t) \quad \text{For } i = 16, 17, 18 \quad k = 4 \quad (12)$$

$$P'_i(t) + \lambda_{i-18} P_i(t) = \phi_{i-18} P_k(t) \quad \text{For } i = 19, 20, 21, 22 \quad k = 5 \quad (13)$$

With the initial condition $P_0(0) = 1$ and zero otherwise. Since any thermal plant is a process industry where raw material is processed through various subsystems

continuously till the final product is obtained. Thus, as stated by Arora and Kumar (1997), putting derivative of all probabilities equal to zero yields the long run availability of the system of a thermal plant $P'_i(t) = 0$ at $t \rightarrow \infty$ into differential equations (4-13), and solving these equations recursively, following are the values of all state probabilities in terms of full working state probability.

i.e. P_0 .

$$P_1 = C_{12}P_0$$

$$P_9 = \frac{\phi_4}{\lambda_4} C_{13}P_0$$

$$P_{16} = \frac{\phi_1}{\lambda_1} C_{11}P_0$$

$$P_2 = C_{13}P_0$$

$$P_{10} = \frac{\phi_1}{\lambda_1} C_{13}P_0$$

$$P_{17} = \frac{\phi_2}{\lambda_2} C_{11}P_0$$

$$P_3 = C_{14}P_0$$

$$P_{11} = \frac{\phi_1}{\lambda_1} C_{12}P_0$$

$$P_{18} = \frac{\phi_3}{\lambda_3} C_{11}P_0$$

$$P_4 = C_{11}P_0$$

$$P_{12} = \frac{\phi_1}{\lambda_1} P_0$$

$$P_{19} = \frac{\phi_1}{\lambda_1} C_{15}P_0$$

$$P_5 = C_{15}P_0$$

$$P_{13} = \frac{\phi_1}{\lambda_1} C_{14}P_0$$

$$P_{20} = \frac{\phi_2}{\lambda_2} C_{15}P_0$$

$$P_6 = \frac{\phi_2}{\lambda_2} P_0$$

$$P_{14} = \frac{\phi_2}{\lambda_2} C_{14}P_0$$

$$P_{21} = \frac{\phi_3}{\lambda_3} C_{15}P_0$$

$$P_7 = \frac{\phi_2}{\lambda_2} C_{12}P_0$$

$$P_{15} = \frac{\phi_3}{\lambda_3} C_{14}P_0$$

$$P_{22} = \frac{\phi_4}{\lambda_4} C_{15}P_0$$

$$P_8 = \frac{\phi_2}{\lambda_2} C_{13}P_0$$

3.1 Normalizing condition

The probability of full working capacity, namely, P_0 determined by using normalizing condition: (i.e. sum of the probabilities of all working states, reduced capacity and failed states is equal to 1)

$\sum_{i=0}^{22} P_i = 1$, therefore putting the values of P_0 - P_{22} and solving, one gets

$$P_0 = \frac{1}{\left[(1 + C_{11} + C_{12} + C_{13} + C_{14} + C_{15}) \left(1 + \left(\frac{\phi_1}{\lambda_1} + \frac{\phi_2}{\lambda_2} \right) + \frac{\phi_3}{\lambda_3} (C_{11} + C_{14} + C_{15}) + \frac{\phi_4}{\lambda_4} (C_{14} + C_{15}) \right) \right]} \quad (14)$$

Where

$$\begin{aligned} C_1 &= \phi_3 + \lambda_4 & C_9 &= \frac{\lambda_3 + C_7 \lambda_4}{C_2 - \lambda_4 C_8} \\ C_2 &= \phi_3 + \phi_4 + \lambda_4 & C_{10} &= \frac{\phi_4}{C_2 - \lambda_4 C_8} \\ C_3 &= \phi_3 + \lambda_4 & C_{11} &= \frac{C_1 C_4 - \phi_3 \lambda_3 - C_{10} C_4 \lambda_4}{\lambda_3 \lambda_4 + C_9 C_4 \lambda_4} \\ C_4 &= \phi_4 + \lambda_3 & C_{12} &= C_9 C_{11} + C_{10} \\ C_5 &= \phi_4 + \lambda_3 + \lambda_4 & C_{13} &= C_7 C_{11} + C_8 C_{12} \\ C_6 &= \lambda_3 + \lambda_4 & C_{14} &= \frac{C_{11} \lambda_4 + \phi_3}{C_4} \\ C_7 &= \frac{\phi_4 \lambda_3}{C_3 C_6 - \phi_3 \lambda_3} & C_{15} &= \frac{C_{13} \phi_3 + C_{11} \phi_4}{C_6} \\ C_8 &= \frac{\phi_4 C_6}{C_3 C_6 - \phi_3 \lambda_3} \end{aligned}$$

3.2 Steady state availability

Now, the steady state availability of fuel gas and air system may be obtained as summation of all working states probabilities as:

A_v = Summation of all working states

$$\begin{aligned}
 A_v &= P_0 + P_1 + P_2 + P_3 + P_4 + P_5 \\
 &= P_0(1 + C_{11} + C_{12} + C_{13} + C_{14} + C_{15})
 \end{aligned}
 \tag{15}$$

4 Analysis of system model

The simulation model is used to predict the availability/performance of fuel gas and air system for known input values of failure and repair rates of its subsystems. The performance of fuel gas and air system of thermal power plant is mainly affected by the failure and repair rates of each subsystem. From maintenance history sheet of fuel gas and air system and through the discussions with the plant personnel, appropriate failure and repair rates of all subsystems are taken and decision matrices (availability values) are prepared accordingly by putting these failure and repair rates values in expression 15, the availability simulation model (A_v). This model forms the foundation for all other performance improvement activities (e.g. solution design and development, implementation and analysis). These unit parameters ensure the high availability/performance of the fuel gas and air system. This model includes all possible states of nature, that is, failure events (ϕ_i) and the identification of all the courses of action, i.e, repair priorities (λ_i). Tables 1-4 represent the availability matrices for various subsystems of the fuel gas and air system. These matrices simply reveal the various availability levels for different combinations of failure and repair rates/priorities. On the basis of analysis made, the best possible combinations (ϕ, λ) may be selected. These availability values in availability matrices further help in identifying the subsystem which ensures the maximum availability, as shown in Table 5. The optimum values of failure/repair rates of each subsystem of concerned system can easily be taken from Table 5.

5 Results and Discussion

The performance of each subsystem is analyzed using the developed model. On the basis of availability values, as given in Table 1-5 and plotted in Figure 2-5, the following observations are made, which reveals the effect of failure and repair rates of various subsystems on the availability of fuel gas and air system.

Availability (Av.) →

λ_1 \ ϕ_1	.1	.175	.250	.325	.4	Constant values
.005	.9408	.9601	.9681	.9725	.9752	$\phi_2 = .0015$, $\lambda_2 = .3$ $\phi_3 = .0283$, $\lambda_3 = .31$ $\phi_4 = .0225$, $\lambda_4 = .35$
.0063	.9294	.9533	.9633	.9687	.9721	
.0076	.9183	.9466	.9585	.9649	.9691	
.0089	.9075	.9400	.9537	.9612	.9660	
.0102	.8969	.9335	.9490	.9575	.9630	

Table 1. "Availability matrix of heater assembly subsystem of Flue gas and air system".

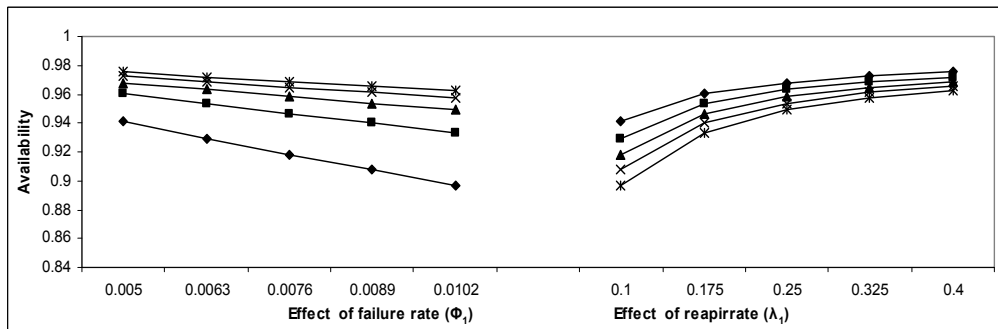


Figure 2. "Effect of failure & repair rate of heater assembly subsystem on subsystem availability".

Table 1 and Figure 2 reveal the effect of failure and repair rates of first subsystem (assembly of heaters & economizer) on the availability of flue gas and air system. It is observed that for some known values of failure / repair rates of other three subsystems, as failure rate of first subsystem increases from 0.005 (once in 200 hrs) to 0.01 (once in 100 hrs), the subsystem availability decreases by only 5%. Similarly as repair rate of first subsystem increases from 0.1 (once in 10 hrs) to 0.4 (once in 2.5 hrs), the subsystem availability increases by about 3.5%.

Availability (Av.) →

$\lambda_2 \backslash \phi_2$.1	.2	.3	.4	.5	Constant values
.001	.9539	.9585	.9600	.9608	.9612	$\phi_1 = .0076, \lambda_1 = .25$ $\phi_3 = .0283, \lambda_3 = .31$ $\phi_4 = .0225, \lambda_4 = .35$
.00125	.9516	.9573	.9592	.9602	.9608	
.00150	.9492	.9562	.9585	.9596	.9604	
.00175	.9471	.9551	.9577	.9590	.9598	
.0020	.9449	.9539	.9569	.9585	.9594	

Table 2. "Availability matrix of ESP subsystem of Flue gas and air system".

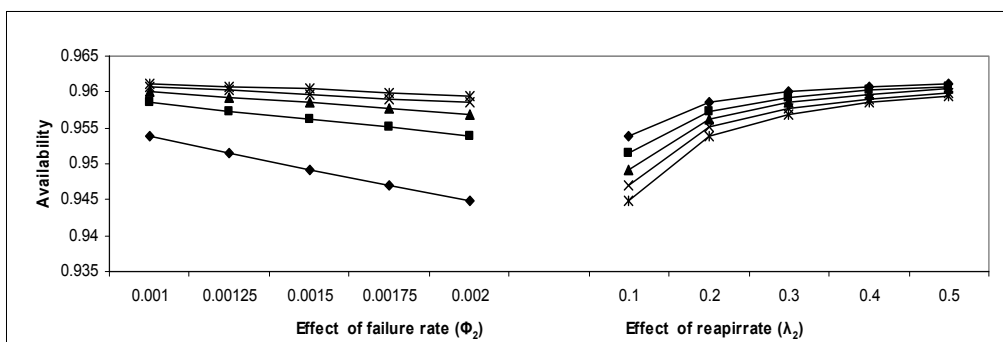


Figure 3. "Effect of failure & repair rate of ESP subsystem on subsystem availability".

Table 2 and Figure 3 reveal the effect of failure and repair rates of ESP subsystem on the availability of flue gas and air system. It is observed that for some known values of failure / repair rates of other three subsystems, as failure rate of ESP increases from 0.001 (once in 1000 hrs) to 0.002 (once in 500 hrs), the subsystem availability decreases by only 1%. Similarly as repair rate of ESP increases from 0.1 (once in 10 hrs) to 0.5 (once in 02 hrs), the subsystem availability increases by about 1%.

Availability (Av.) →

$\lambda_3 \backslash \phi_3$.125	.219	.312	.406	.500	Constant values
.0067	.9630	.9647	.9651	.9653	.9654	$\phi_1 = .0076, \lambda_1 = .25$ $\phi_2 = .0015, \lambda_2 = .3$ $\phi_4 = .0225, \lambda_4 = .35$
.0175	.9498	.9600	.9628	.9639	.9644	
.0283	.9281	.9519	.9585	.9613	.9627	
.0391	.9007	.9410	.9527	.9601	.9603	
.0500	.8696	.9275	.9453	.9531	.9571	

Table 3. "Availability matrix of FD fans subsystem of Flue gas and air system".

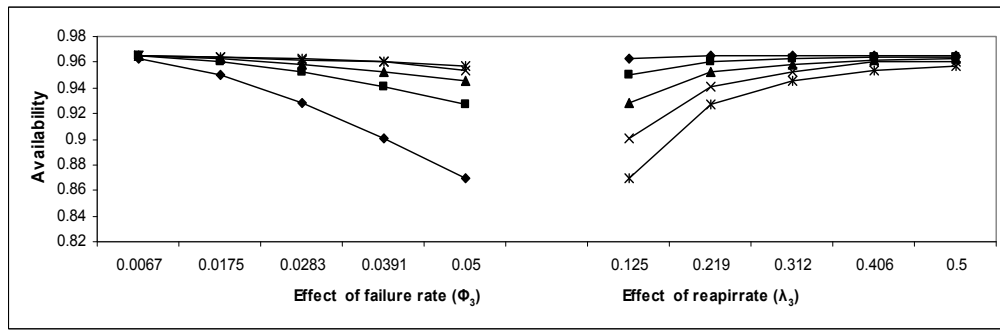


Figure 4. "Effect of failure & repair rate of FD fans Subsystem on subsystem availability".

Table 3 and Figure 4 reveal the effect of failure and repair rates of FD fans subsystem on the availability of flue gas and air system. It is observed that for some known values of failure / repair rates of other three subsystems, as failure rate of FD fans increases from 0.0067 (once in 150 hrs) to 0.05 (once in 20 hrs), the subsystem availability decreases by only 10%. Similarly as repair rate of FD fans increases from 0.125 (once in 8 hrs) to 0.5 (once in 02 hrs), the subsystem availability increases but slightly.

Availability (Av.) →

λ_4 \ ϕ_4	.2	.275	.350	.425	.5	Constant values
.0050	.9587	.9587	.9587	.9587	.9587	$\phi_1 = .0076, \lambda_1 = .25$ $\phi_2 = .0015, \lambda_2 = .3$ $\phi_3 = .0283, \lambda_3 = .31$
.0137	.9584	.9586	.9586	.9587	.9587	
.0225	.9575	.9582	.9585	.9586	.9586	
.0313	.9557	.9575	.9581	.9583	.9585	
.04	.9528	.9563	.9575	.9580	.9583	

Table 4. "Availability matrix of ID fans subsystem of Flue gas and air system".

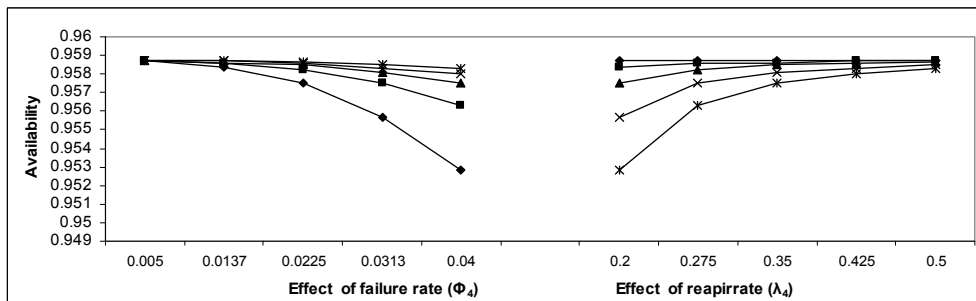


Figure 5. "Effect of failure & repair rate of ID fans subsystem on subsystem availability".

Table 4 and Figure 5 reveal the effect of failure and repair rates of ID Fans subsystem on the availability of flue gas and air system. It is observed that for

some known values of failure / repair rates of other three subsystems, the effect of failure and repair rates of ID fans on the availability of flue gas and air system is negligible.

S.No	Subsystem	Failure Rates (ϕ_i)	Repair Rates (λ_i)	Maximum Availability Level
1.	Heater Assembly	$\phi_1 = 0.0050$	$\lambda_1 = 0.4$	97 %
2.	ESP	$\phi_2 = 0.0010$	$\lambda_2 = 0.5$	96 %
3.	FD Fans	$\phi_3 = 0.0067$	$\lambda_3 = 0.5$	96 %
4.	ID Fans	$\phi_4 = 0.0050$	$\lambda_4 = 0.5$	96 %

Table 5. "Optimum values of failure/repair rates of Subsystems of Fuel gas and air system".

Table 5 helps in identifying the subsystem with maximum availability. It is observed that first subsystem is having maximum availability (97%). The optimum values of failure and repair rates for maximum availability level for each subsystem is also shown in table 5.

6 Conclusions

It can thus be concluded that this availability model is effectively used for the analysis of availability and hence the evaluation of performance of various subsystems of flue gas and air system of thermal plant. It also shows the relationship among various failure and repair rates (ϕ, λ) for each subsystem of flue gas and air system of thermal plant. It also provides the various availability levels for different combinations of failure and repair rates for each and every subsystem. One may select the best possible combination of failure events and repair priorities for each subsystem. The system availability has been excellent, mainly because of the low failure rate, supported by the state of the art repair facilities. It can be concluded from tables 1-4, that as failure rate increases, the availability goes on decreasing and as repair rate increases, the availability goes on increasing. The developed model helps in determining the optimal maintenance strategies, which will ensure the maximum overall availability of flue gas and air system. The optimum values of failure and repair rates for each subsystem are given in table 5. It is also concluded that first subsystem (assembly of heaters & economizer) is having maximum availability. Such results are found highly beneficial to the plant management for the availability analysis of fuel gas and air system of a thermal plant.

Appendices

Notations:



Indicates the system is in operating state.



Indicates the system is in reduced capacity state.



Indicates the system is in failed state.

A , B , C , and D : Represent full working states of first subsystem (assembly of heaters & economizer), second subsystem (Electrostatic Precipitator (ESP)), third subsystem (Forced Draft (FD) fans) and fourth subsystem (Induced Draft (ID) fans) respectively.

C^1 : Denotes that sub-system C is working in reduced capacity.

D^1, D^2 : Denotes that sub-system D is working in reduced capacity (double stage).

a , b , c , and d : Represent failed states of first, second, third and fourth subsystem respectively.

$P_0(t)$: Probability of full capacity working without standby unit.

$P_i(t)$, $i=1-5$: Probabilities of reduced capacity working.

$P_i(t)$, $i=6-22$: Probabilities of the system in failed states.

ϕ_i , $i=1-4$: Mean failure rates of A, B, C and D subsystems respectively.

λ_i , $i=1-4$: Mean repair rates of A, B, C and D subsystems respectively.

$P_i'(t)$: Represents the derivative w.r.t. time (t).

$Av.$: Steady state availability of the system.

References

Arora, N., & Kumar, D. (1997). Availability analysis of steam and power generation system in thermal power plant. *Micro electron Reliability*, 37(5), 95-99.

- Balaguruswamy, E. (1984). *Reliability engineering*. New Delhi: Tata McGraw Hill.
- Barabady, J., & Kumar, U. (2007). Availability allocation through importance measures. *International Journal of Quality and Reliability Management*, 24(6), 643-657.
- Barabady, J., & Kumar, U. (2008). Reliability analysis of mining equipment: a case study of a crushing. *Reliability Engineering and System Safety*, 93, 647–653.
- Beounes, C. et al. (1993). SURF-2: *A program for dependability evaluation of complex hardware and software systems*. Paper presented at 23rd int. symp. on fault-tolerant computing. Toulouse, France.
- Bernson, S., de Souza e Silva, E., & Muntz, R. (1991). A methodology for the specification of markov models. In Stewart, W. (Ed.), *Numerical solution to markov chains* (pp 11–37). Boston, MA: Kluwer.
- Blischke, W. R., & Murthy, D. N. P. (2003). *Case Studies in Reliability and Maintenance*. USA: Wiley.
- Butler, R. (1986). *The SURE reliability analysis program*. Paper presented at the AIAA guidance, navigation and control conference, Williamsburg, VA.
- Ciardo, G., Muppala, J., & Trivedi, K. (1989). *SPNP: Stochastic Petri Net Package*. Paper presented at the 3rd Int. Workshop on petri nets and performance models, Kyoto, Japan.
- Dhillon, B. S. (1983). *Reliability engineering in systems design and operation*. New York: Van Nostrand-Reinhold.
- Ebling, C. E. (1997). *An Introduction to reliability and maintainability Engineering*. New Delhi: TMH Publishing Company Limited.
- Gupta, S., Tewari, P. C., & Sharma, A. K. (2008a). Performance modeling and decision support system of feed water unit of a thermal power plant. *South African Journal of Industrial Engineering*, 19(2), 125-134.
- Gupta, S., Tewari, P. C., & Sharma, A. K. (2008b). Reliability and availability analysis of ash handling unit of a steam thermal power plant - part1. *International journal of Engineering research and industrial applications*, 1(V), 53-62.

- Gupta, S., Tewari, P. C., & Sharma, A. K. (2009a). Availability simulation model and performance analysis of coal handling unit a typical thermal power plant. *South African Journal of Industrial Engineering*, 20(1), 159-171.
- Gupta, S., Tewari, P. C., & Sharma, A. K. (2009b). Reliability and availability analysis of ash handling unit of a steam thermal power plant. *South African Journal of Industrial Engineering*, 20(1), 147-158.
- Johnson, Jr. A.M., & Malek, M. (1988). Survey of software tools for evaluating reliability, availability and serviceability. *ACM Computing Surveys*, 20(4), 227–269.
- Khanduja, R., Tewari, P. C., & Kumar, D. (2008). Availability analysis of bleaching system of paper plant. *Journal of Industrial Engineering, Udyog Pragati, N.I.T.I.E. Mumbai (India)*, 32(1), 24-29.
- Koren, J. M., & Gaertner, J. (1987). *CAFTA: a fault tree analysis tool designed for PSA*. Paper presented at the Probabilistic safety assessment and risk management: PSA, Zurich, Switzerland.
- Krishnamurthi, G., Gupta, A., & Somani, A.K. (1996). *The HIMAP modeling environment*. Paper presented at the 9th International conference on parallel and distributed computing systems: Dijon, France.
- Kumar, D., & Pandey, P. C. (1993). Maintenance planning and resource allocation in urea fertilizer plant. *Quality and reliability Engineering International Journal*, 9, 411-423.
- Kumar, S., Kumar, D., & Mehta, N. P. (1996). Behavioral analysis of shell gasification and carbon recovery process in urea fertilizer plant. *Microelectron Reliability*, 36 (5), 671-673.
- Kumar, S., Kumar, D., & Mehta, N. P. (1999). Maintenance management for ammonia synthesis system in a urea fertilizer plant. *International Journal of Management and System (IJOMAS)*, 15(3), 211-214
- Kumar, S., Kumar, D., & Mehta, N. P. (2000). Probabilistic analysis of desulfurization system in urea fertilizer plant. *Journal of Institution of Engineers (India)*, 80, 135-139

- Kumar, S., Tewari, P. C., & Kumar, S. (2007). Performance modeling and simulated availability of shell gasification and carbon recovery system of urea plant. Paper presented at the 16th IASTED International Conference held, Spain.
- Kumar, S., Tewari, P. C., & Sharma, R. (2007). Simulated availability of CO₂ cooling system in a fertilizer plant. *Industrial Engineering Journal* (Indian Institution of Industrial Engineering, Mumbai), 36(10), 19-23.
- Kurien, K. C. (1988). Reliability and availability analysis of repairable system using discrete event simulation. Ph. D. thesis, IIT, New Delhi.
- Lim, T. J., & Chang, H. K. (2000). Analysis of system reliability with dependent repair models. *IEEE Trans Reliab*, 49(2), 153-62.
- Malhotra, M., & Trivedi, K. S. (1994). Power-hierarchy of dependability-model types. *IEEE Transactions on Reliabilit*, 43(3), 493-502.
- Raje, D. V., Olaniya, R. S., Wakhare, P. D., & Deshpande, A. W. (2000). Availability assessment of a two-unit stand-by pumping system. *Reliability Engineering and System Safety*, 68, 269-274.
- Sahner, R. A., & Trivedi, K. S. (1987). Reliability modeling using SHARPE. *IEEE Trans Reliability*, 36 (2), 186-193.
- Sanders, W. H., & Obal II, W. D. (1993). Dependability evaluation using UltraSAN. Paper presented at the twenty-third international symposium on fault-tolerant computing.
- Somani, A. K., Sharma, T., & Nguyen, P. H. (1994). Reliability computation of systems with latent-failures and monitoring. Paper presented at the 1994 annual reliability and maintainability symposium.
- Srinath, L. S. (1994). *Reliability Engineering*. 3rd edition, New Delhi, India. East-West Press Pvt. Ltd.
- Wolstenholme, L. C. (1999). *Reliability modeling—a statistical approach*. Chapman & Hall; CRC.

©© Journal of Industrial Engineering and Management, 2009 (www.jiem.org)



Article's contents are provided on a Attribution-Non Commercial 3.0 Creative commons license. Readers are allowed to copy, distribute and communicate article's contents, provided the author's and Journal of Industrial Engineering and Management's names are included. It must not be used for commercial purposes. To see the complete license contents, please visit <http://creativecommons.org/licenses/by-nc/3.0/>.