

Buiter, Willem Hendrik

**Working Paper**

**Borrowing to Defend the Exchange Rate and the Timing and Magnitude of Speculative Attacks: Fiscal Prerequisites for a Visible Managed Exchange Rate Regime. Part 1**

Center Discussion Paper, No. 499

**Provided in Cooperation with:**

Yale University, Economic Growth Center (EGC)

*Suggested Citation:* Buiter, Willem Hendrik (1986) : Borrowing to Defend the Exchange Rate and the Timing and Magnitude of Speculative Attacks: Fiscal Prerequisites for a Visible Managed Exchange Rate Regime. Part 1, Center Discussion Paper, No. 499, Yale University, Economic Growth Center, New Haven, CT

This Version is available at:

<https://hdl.handle.net/10419/160422>

**Standard-Nutzungsbedingungen:**

Die Dokumente auf EconStor dürfen zu eigenen wissenschaftlichen Zwecken und zum Privatgebrauch gespeichert und kopiert werden.

Sie dürfen die Dokumente nicht für öffentliche oder kommerzielle Zwecke vervielfältigen, öffentlich ausstellen, öffentlich zugänglich machen, vertreiben oder anderweitig nutzen.

Sofern die Verfasser die Dokumente unter Open-Content-Lizenzen (insbesondere CC-Lizenzen) zur Verfügung gestellt haben sollten, gelten abweichend von diesen Nutzungsbedingungen die in der dort genannten Lizenz gewährten Nutzungsrechte.

**Terms of use:**

*Documents in EconStor may be saved and copied for your personal and scholarly purposes.*

*You are not to copy documents for public or commercial purposes, to exhibit the documents publicly, to make them publicly available on the internet, or to distribute or otherwise use the documents in public.*

*If the documents have been made available under an Open Content Licence (especially Creative Commons Licences), you may exercise further usage rights as specified in the indicated licence.*

ECONOMIC GROWTH CENTER

YALE UNIVERSITY

Box 1987, Yale Station  
New Haven, Connecticut

CENTER DISCUSSION PAPER NO. 499

BORROWING TO DEFEND THE EXCHANGE RATE  
AND THE TIMING AND MAGNITUDE OF SPECULATIVE ATTACKS :  
FISCAL PREREQUISITES FOR A VIABLE MANAGED EXCHANGE RATE REGIME  
Part 1

Willem H. Buiter

Yale University

March 1986

**Note:** Center Discussion Papers are preliminary materials circulated to stimulate discussion and critical comment. References in publications to Discussion Papers should be cleared with the authors to protect the tentative character of these papers.

Borrowing to Defend the Exchange Rate and the Timing and Magnitude  
of Speculative Attacks

ABSTRACT

The paper extends the recent literature on collapsing managed exchange rate regimes by allowing explicitly for the government budget constraint and the interest cost of servicing the public debt. The policy experiment that is analysed is the decision by a government to replenish its stock of foreign exchange reserve through a once-off open market sale of bonds. Without a fundamental fiscal correction (i.e. a decision to reduce the primary (non-interest) deficit by an amount equal to the increase in the interest cost of servicing the debt) the consequences are as follows. In a deterministic model, the timing of the speculative attack is brought forward (delayed) if the borrowing takes place long before (close to) the date at which without borrowing the collapse would have occurred. The magnitude of the attack (the final loss of reserves) always increases because of borrowing. In a stochastic model, borrowing reduces the probability of an early collapse and increases the likelihood of a later collapse. Under mild conditions, the expected length of the time interval until the collapse occurs is increased by borrowing.

Borrowing to Defend the Exchange Rate  
and the Timing and Magnitude of Speculative Attacks<sup>\*</sup>

i. Introduction

The purpose of this paper is to extend the recent literature on collapsing managed exchange rate regimes by allowing explicitly for the government budget constraint and especially for the interest cost of servicing the public debt. The seminal paper of Salant and Henderson [1978] analysed the implications of government attempts to peg the price of gold or to defend a price ceiling by managing a stockpile; it demonstrated the inevitability of an eventual speculative attack and of the collapse of such schemes. Krugman [1979] provided the first application of this analytical approach to the macroeconomic problem of defending a fixed exchange rate parity. Since then there have been many other, mainly theoretical, studies of the viability of a variety of managed exchange rate regimes and of the nature and likelihood of speculative attacks. [See e.g. Flood and Garber [1983, 1984a, b], Obstfeld [1984a, b, c], Connolly and Taylor [1984] and Dornbusch [1984]]. Related relevant theoretical work on speculative attacks, runs, etc. can be found in Salant [1983] which analyses price stabilization schemes and Diamond and Dybvig [1983] which deals with bank runs. Empirical work in this tradition is still relatively scarce, but notable examples are Cumby and van Wijnbergen [1983], Grilli [1984, 1986b], Collins [1984] and Garber and Grilli [1986].

The existing literature almost invariably treats domestic credit expansion (dce) as the exogenous government control and fundamental forcing variable driving the stock of reserves and/or the exchange rate. (One notable exception is Cumby and van Wijnbergen [1983]). This paper

---

<sup>\*</sup>I would like to thank Sweder van Wijnbergen for many useful discussions on the subject of fiscal policy and the viability of managed exchange rate regimes.

"goes behind" due and considers separately the primary (non-interest) government deficit, the interest cost of servicing the public debt and the net issues of interest-bearing government debt. By doing this, the otherwise implicit fiscal and financial aspects of decisions to alter the level and/or the rate of growth of the stock of domestic credit are brought out explicitly. While this is a worthwhile exercise in its own right, it is especially useful when, as in Garber and Grilli [1986] and Grilli [1986b], the consequences for the likelihood and timing of a speculative attack on the exchange rate of a government decision to borrow (internationally) to augment its stock of reserves is analysed.

In Sections 2) and 3) I analyse the consequences of a decision by the government to replenish its stock of foreign exchange reserves through a once-off, stock-shift open market sale of bonds. Without a fundamental fiscal correction (i.e. a decision to cut the primary deficit by an amount equal to the increase in the interest cost of servicing the debt), the consequences of this decision to borrow for the timing and magnitude of the speculative attack that causes the collapse of the fixed exchange rate regime are as follows. In the deterministic, continuous time model of Section 2), the timing of the speculative attack is brought forward if the borrowing takes place sufficiently long before the date at which the collapse would have occurred absent the borrowing. It is delayed if the borrowing takes place sufficiently close to the collapse date without borrowing. The magnitude of the attack (measured by the size of the final stock-shift reduction in the stock of reserves to their critical level) always increases as a result

of the borrowing. In the stochastic discrete time model of Section 3), the probability of collapse  $k$  periods or less after the borrowing falls for small  $k$  and increases for large  $k$ . As in the deterministic case this reflects the fact that, because of the interest cost of servicing the newly incurred debt, an act of borrowing reduces the level of the stock of domestic credit (increases the level of the stock of reserves) but also increases the rate of domestic credit expansion (increases the rate at which the stock of reserves declines). Finally, under mild conditions, the expected length of the time interval until the collapse is increased by an act of borrowing.

2. Government Borrowing and the Timing and Magnitude of Speculative Attacks; The Continuous Time Deterministic Case.

The simple continuous time deterministic small country open economy model is given in equations 1) to 4)

$$1) \quad \frac{\dot{M}}{SP^*} = \varrho(i, y) \quad \varrho_i < 0; \varrho_y > 0$$

$$2) \quad P = SP^*$$

$$3) \quad \dot{i}(t) = i^*(t) + \frac{E_t \dot{S}(t)}{S(t)}$$

$$4) \quad \dot{M} + \dot{SB}^* - \dot{SR}^* \equiv \Delta + i^* SB^*$$

$M$  is the nominal stock of non-interest-bearing domestic high-powered money,  $i$  the domestic nominal interest rate,  $y$  domestic real output,  $P$  the domestic price level,  $P^*$  the foreign price level,  $S$  the spot nominal exchange rate,  $i^*$  the foreign nominal interest rate,  $B^*$  the stock of government debt,  $R^*$  the stock of official foreign exchange reserves and  $\Delta$  the nominal primary, i.e. net of interest on the public debt, deficit.

$P^*$ ,  $i^*$  and  $y$  are exogenous. There is a single traded good and strict purchasing power parity (P.P.P.) holds (equation 2). There is a perfect international financial market with risk-neutral speculators. The domestic nominal interest rate is therefore given by the uncovered interest parity condition (3).  $E_t$  denotes the expectation operator conditional on information available at time  $t$ . (4) denotes the open economy consolidated government sector budget identity. All government borrowing is assumed to be denominated in foreign currency. This is for convenience only. The paper is not concerned with the use of (unexpected) devaluation as a means of reducing the real value of the authorities' interest-bearing debt. For that issue the currency denomination of the debt is of course crucial. Issues of political or sovereign risk are also ignored.  $\Delta$  is the current value of public sector "exhaustive" spending on goods and services minus taxes net of transfers, excluding interest on the debt,  $i^*SB^*$ .

Using the monetary authority's balance sheet identity we can reinterpret (4) as the familiar condition that the government deficit  $\Delta + i^*SB^*$  is financed by borrowing  $SB^*$  or domestic credit expansion  $\dot{D}$ ,

i.e.

$$4') \quad \dot{D} + \dot{SB}^* \equiv \Delta + i^* SB^*$$

A crucial assumption is that the interest rate paid on government debt,  $i^* > 0$ , exceeds the interest rate on international reserves  $r^*$ . Given that assumption, the further assumption made in this paper that  $r^* = 0$ , only serves to simplify the algebra. If the two interest rates were equal, there would, even in an only minimally rational world, never be any foreign exchange crises (or liquidity crises) which were not also government solvency crises. The solvency constraint of the government is given in equation 5). It is obtained by integrating the government budget identity forward in time and imposing a "no Ponzi game" transversality condition.<sup>1</sup>

$$5) S(t) [B^*(t) - R^*(t)] \leq \int_t^{\infty} E_t \left\{ e^{-\int_t^v i(u) du} [-\Delta(v) + \dot{M}(v) - (i^*(v) - r^*(v)) S(v) R^*(v)] \right\} dv$$

---

<sup>1</sup>This condition is  $\lim_{v \rightarrow \infty} e^{-\int_t^v i(u) du} S(v) [B^*(v) - R^*(v)] = 0$ . See e.g. Buiter [1985].



Equation 5) states that the value of the government's net non-monetary debt should not exceed the present value of future expected primary surpluses  $-\Delta(v)$ , plus the present value of future expected seigniorage revenue  $M(v)$  minus the present value of the expected future cost of holding reserves  $(i^*(v) - r^*(v))S(v)R^*(v)$ . Clearly if  $i^* = r^*$ , the opportunity cost of holding reserves is zero. A successful open market sale by the government (equal increases in  $B^*(t)$  and  $R^*(t)$ ) which raise the future expected path of the stock of reserves ( $E_t \Delta R^*(v) \geq 0$  for all  $v \geq t$ )<sup>2</sup> will not, in that case, affect the solvency of the government; the r.h.s. of (5) is unaffected by it. If, however,  $i^* > r^*$ , then borrowing to replenish the stock of reserves will worsen the government's solvency position. If (5) holds with strict equality, then either future primary surpluses must be raised, or future seigniorage revenue must be boosted in order to avoid insolvency. With  $i^* = r^*$ , any sensible government would raise both  $B^*$  and  $R^*$  to arbitrarily high levels, thus eliminating the risk of running out of reserves, without this in any way affecting their solvency.  $i^* > r^*$  is therefore a necessary condition for there to be a reserve problem separate from a solvency problem. With  $i^* = r^*$ , debt repudiation or default would accompany any foreign exchange crisis. The assumption that  $i^* > r^*$  is historically appropriate for the gold standard regime analysed by Garber

<sup>2</sup>Note  $S(v) = \bar{S}$  for  $v \leq \bar{t}$  where  $\bar{t}$  is the date of collapse and  $R^*(v) = 0$ ,  $v \geq \bar{t}$ .  $i^*(v)$  and  $r^*(v)$ ,  $v < \bar{t}$  are unaffected by the open market sale. A successful open market sale raises  $\bar{t}$ .

and Grilli [1985] and Grilli [1986b]. In a sterling-dollar world, with a fixed dollar price of gold and a fixed sterling price of gold,  $r^* = 0$  while sterling and dollar short nominal interest rates were positive. Where modern financial developments have greatly reduced or even eliminated the financial opportunity cost of holding reserves, the analysis of this paper has to be qualified, since in the limit as  $r^*$  goes to  $i^*$  foreign exchange crisis is merely one manifestation of a solvency crisis.

Initially the economy is on a fixed exchange rate with  $S = \bar{S}$ . When the stock of reserves falls below a threshold level  $\bar{R}^*$  the authorities stop defending the exchange rate and a free float of indefinite duration ensues. Other scenarios have been analysed (e.g. by Obstfeld [1984b]) but for our purposes the simplest case suffices. The threshold level is set equal to zero. Following the now familiar argument that efficient financial markets rule out anticipated future discrete or discontinuous changes in the level of the exchange rate, we can calculate the date  $t = \bar{t}$  at which the fixed exchange rate regime collapses and a free float begins, from the boundary condition that at  $\bar{t}$  the exchange rate that would prevail if the exchange rate collapsed and floated at  $\bar{t}$ ,  $\hat{S}(\bar{t})$ , equals the fixed exchange rate  $\bar{S}$ . The example is chosen such that reserves are lost continuously and a collapse in finite time is certain. Grilli [1986a] analyses a more symmetric small country model for which in addition to the lower bound on reserves (which when crossed compels a float or a devaluation) there also is an upper bound (which when crossed compels a float or a revaluation). In a two-country model the same

results could be obtained with each national authority establishing a lower bound for its stock of reserves.

In the example, when the fixed exchange rate regime collapses, the expected proportional rate of exchange rate depreciation becomes positive. The domestic nominal interest rate therefore increases discretely at  $\bar{t}$  and there is a discrete ["stock-shift"] reduction in the demand for real money balances. With  $S(\bar{t})$  given at  $\bar{S}$  (because of the required continuity of the exchange rate) the reduction in the real money stock is brought about by a reduction in the nominal money stock. The stock-shift reduction in the money stock  $\Delta M(\bar{t})$  is brought about by a speculative attack at  $\bar{t}$  in which the stock of reserves undergoes a stock-shift reduction to its critical level. The total stock of domestic claims on the rest of the world cannot of course change at a point in time (barring repudiation). The stock-shift loss of reserves by the authorities is therefore matched by domestic private agents acquiring interest-bearing claims on the rest of the world.

The literature has traditionally treated domestic credit expansion  $D$  as the fundamental (exogenous) forcing variable. While there is nothing logically wrong with such a specification, it suppresses and therefore tends to obscure the fiscal and debt management aspects of exchange rate regime viability and breakdown. The importance of this issue is greatest when the policy event under consideration is a major financial operation of the government. An example of such an event is contained in two stimulating papers by Garber and Grilli [1986] and Grilli [1986b] on the Belmont-Morgan Syndicate bond issue and its role

in defending the gold standard in 1895. Briefly their argument is that when the U.S. Treasury borrowed abroad through the Syndicate to replenish its stock of gold reserves, this act of borrowing increased the viability of the gold standard in the sense that it reduced uniformly the probability of collapse after the loan was secured, compared to what would have been the case without the loan.

The analysis of this section and of the next demonstrates that the Garber-Grilli argument implicitly assumes that the act of borrowing was accompanied by a fiscal correction, specifically by a reduction in the primary deficit which kept the path after the borrowing on the path it would have been one without the borrowing. Without such a fiscal correction the need to service the additional debt requires either increased domestic credit expansion or further borrowing. If there exists an upper bound on the stock of interest-bearing debt a government is able or willing to countenance, increased borrowing now means increased domestic credit expansion later and therefore increased loss of reserves and a greater probability of collapse later. This argument is of course simply an open economy extension of Sargent and Wallace's "Unpleasant Monetarist Arithmetic."<sup>3</sup>

For simplicity I consider the case in which the authorities engage in one act of borrowing, at  $t = t_0$ . At that date there is a

---

<sup>3</sup> I assume throughout that the long run real interest rate exceeds the long run growth rate of the real tax base, to rule out feasible Ponzi games.

stock-shift, once-off open market sale of bonds. Given perfect capital mobility, it is immaterial whether we visualize the government as borrowing at home or borrowing abroad. The net effect at  $t_0$  is a stock-shift reduction in the stock of domestic credit and an equal increase in the stock of reserves and in the stock of interest-bearing public debt.

After the open market sale, no further borrowing occurs. This may well be an acceptable stylistic representation of the situation in the late 1890's when government debt issues were very much the exception to the rule. It may also describe the situation of a number of developing and semi-industrialized economies that are faced with an external credit constraint and are given the option of a once-off relaxation of that constraint. Because of the higher debt service component in the public sector deficit, the rate of domestic credit expansion will be higher after  $t_0$ , than it would have been without the borrowing, if the primary deficit path is unaffected by the borrowing. The authorities effectively purchase a once-off reduction in the stock of domestic credit at  $t_0$  for a permanently higher rate of domestic credit expansion after  $t_0$ . Equivalently, they obtain a once-off increase in the stock of reserves at  $t_0$  for a higher rate of reduction in the stock of reserves after  $t_0$  and until the fixed exchange regime collapses at  $t = \bar{t}$ .<sup>4</sup>

---

<sup>4</sup> $t$  itself, as shown below, will be affected by the open market sale.

In the continuous time, deterministic model of this section the effect of the open market sale on the timing of the collapse is ambiguous. If the borrowing occurs just before the exchange rate regime would have collapsed absent the borrowing, the collapse is postponed ( $\bar{t}$  increases). If the borrowing occurs long enough before the exchange rate regime would have collapsed in the absence of borrowing, the collapse is brought forward ( $\bar{t}$  declines). In the latter case the higher rate of decline of reserves dominates the once-off increase in the level of the stock of reserves; in the former case the opposite holds.

In the discrete time stochastic model of Section 3, the probability at  $t_0$  of collapse in or before period  $t_0 + i$ ,  $i = 1, 2, \dots$  falls as a result of borrowing at  $t_0$  for small  $i$ , but rises for large  $i$ . The intuition again is strong, a stochastic version of "live now and pay later". For an act of borrowing to lower uniformly the probability of collapse it must be accompanied by a fiscal correction, i.e. by a reduction in the primary deficit.

As long as the fixed exchange rate regime survives, the behaviour of the stock of reserves, except at those instants that the monetary authorities engage in open market operations, is given by

$$\dot{\bar{S}}R^* = -(\Delta + i^* \bar{S}B^*) + \gamma + \bar{S}B^*$$

$$\gamma \equiv p\ell_1 \dot{i}^* + p\ell_y \dot{y} + \frac{p^*}{p} \dot{M}, \text{ the determinants of the growth in}$$

demand for money balances.

In order to assure that the exchange rate regime is headed for collapse it is assumed that  $\Delta + i^* \bar{S} B^* - \gamma > 0$ . Since only one stock-shift open market sale of bonds at  $t_0$  is considered,  $\dot{B}^* = 0$  for all  $t > t_0$ . Domestic credit expansion therefore exceeds the growth of money demand and a collapse is certain. What remains to be determined is the timing and the magnitude of the speculative attack that forces the abandonment of the fixed exchange rate regime and the way in which both timing and magnitude are affected by borrowing without a fundamental fiscal correction.

We first calculate the shadow floating exchange rate at time  $t$ ,  $\tilde{S}(t)$ , i.e. what the exchange rate would be at  $t$  if it floated freely for all future time with  $R^*$  at its critical value zero, i.e. with  $M = D$ .

A linear approximation of the model gives us the equation of motion for the expected exchange rate:

$$b) \quad E_t \dot{\tilde{S}}(t) = \alpha_S \tilde{S}(t) - \alpha_M D(t) + z(t)$$

$$\text{where } \alpha_S = - \left[ \begin{array}{c} -1 \\ e_i \quad \frac{D}{P} \end{array} \right]_0 > 0; \quad \alpha_M = - \left[ \begin{array}{c} -1 \\ e_i \\ P^* \end{array} \right]_0 > 0$$

$$\text{and } z(t) = - \left[ \begin{array}{c} -1 \\ e_i \quad \frac{D}{P} \quad \frac{\tilde{S}}{P^*} \end{array} \right]_0 P^*(t) + \left[ \begin{array}{c} -1 \\ \tilde{S} e_i \quad e_y \end{array} \right]_0 y(t) + [\tilde{S}]_0 i^*(t).$$

The solution for the exchange rate is given by<sup>5</sup>

$$7) \quad \tilde{S}(t) = \int_t^{\infty} e^{-\alpha_s(t-s)} E_t \left[ \alpha_M D(s) - z(s) \right] ds.$$

The shadow floating rate is the "present discounted value" of future expected fundamentals. The fundamentals are future expected money stocks (or stocks of domestic credit) and the future expected determinants of money demand  $z(\cdot)$ , i.e. the future foreign price level, the future foreign interest rate and future real output.

The fixed exchange rate regime will collapse and a free float will commence at  $t = \bar{t}$ , if and only if

$$8) \quad \tilde{S}(\bar{t}) = \bar{S}$$

Let the foreign interest rate  $i^*$  and the primary government deficit  $\Delta$  be constant over time, i.e.

---

<sup>5</sup>We choose the unique continuously convergent solution.



$$9) \quad D(t) = D(t_0) + \left[ \Delta + i^* \bar{S} B^*(t_0) \right] (t - t_0).^6$$

At  $t_0$  there is a stock-shift open market purchase and thereafter  $B^*$  is kept constant.

From (7), (8) and (9) we find that

$$10) \quad \bar{S} = \frac{\alpha_H}{\alpha_S} \left[ D(t_0) + \left[ \Delta + i^* \bar{S} B^*(t_0) \right] \left[ \bar{t} - t_0 \right] + \frac{\Delta + i^* \bar{S} B^*(t_0)}{\alpha_S} \right] + Z(\bar{t})$$

where

$$11) \quad Z(\bar{t}) = \int_{\bar{t}}^{\infty} E_t z(s) e^{-\alpha_S (s-\bar{t})} ds$$

---

<sup>6</sup>I ignore as of second order magnitude, the effect of changes in the exchange rate on debt service. Since  $S$  is endogenous from  $t_0$  on,  $D(t)$

is strictly speaking given by  $D(t) = D(t_0) + (\Delta + i^* \bar{S} B^*(t_0)) (t - t_0)$

$$+ i^* B^*(t_0) \int_{\bar{t}}^t (S(v) - \bar{S}) dv$$

The interval between the open market purchase and the date of collapse is therefore given by:

$$12) \quad \bar{t} - t_0 = \frac{\bar{S} - \frac{\alpha_M}{\alpha_S} D(t_0) - Z(\bar{t})}{\left[ \Delta + i^* \bar{S} B^*(t_0) \right] \frac{\alpha_M}{\alpha_S}} - \frac{1}{\alpha_S}$$

The open market sale reduces  $D(t_0)$  by the same amount it increases  $\bar{S} B^*$  and  $\bar{S} R^*$ . The effect of the borrowing on the timing of the collapse is therefore given by

$$13) \quad \left. \frac{\partial(\bar{t} - t_0)}{\partial \bar{S} B^*(t_0)} \right|_{OM} = \frac{1}{\Delta + i^* \bar{S} B^*(t_0)} - \frac{\left[ \bar{S} - \frac{\alpha_M}{\alpha_S} D(t_0) - Z(\bar{t}) \right] i^*}{\left[ \Delta + i^* \bar{S} B^*(t_0) \right]^2 \frac{\alpha_M}{\alpha_S}}$$

$$= \frac{1}{\Delta + i^* \bar{S} B^*(t_0)} \left[ \frac{\alpha_S - \alpha_S i^* (\bar{t} - t_0) - i^*}{\alpha_S} \right]$$

$$\left. \frac{\partial(\bar{t} - t_0)}{\partial \bar{S} B^*(t_0)} \right|_{OM} \quad \text{denotes} \quad \left. \frac{\partial(\bar{t} - t_0)}{\partial \bar{S} B^*(t_0)} \right|_{\bar{S} dB^*(t_0) = -dD(t_0)}$$

The first term on the right hand side of (13) measures the beneficial effect of having a lower stock of domestic credit and acquiring a larger stock of reserves at  $t_0$ . It obviously postpones the day of collapse. The second term represents the effect of the increased rate of domestic credit expansion after  $t_0$  due to the increased debt service.<sup>8</sup> It brings forward the day of collapse.

Assuming, as we do, that  $\Delta + i^* \bar{S} B^* > 0$  and  $i^* > 0$  the condition for  $\bar{t} - t_0$  to increase or decrease with an open market sale at  $t_0$  can be rewritten as

$$14) \quad \frac{\partial(\bar{t} - t_0)}{\bar{S} \partial B^*(t_0)} \Bigg|_{OM} < 0 \Leftrightarrow \frac{1}{i^*} - \frac{1}{\alpha_S} < \bar{t} - t_0$$

Thus the mathematics bears out the intuition that if reserves are replenished by an open market sale just before the regime would have collapsed, the date of collapse is postponed. If the replenishment takes place far enough in advance of the collapse date without replenishment, the date of collapse is actually brought forward.

Figure 1 illustrates the time paths of the stock of reserves with and without borrowing at  $t_0$ . Clearly, the open market sale tilts the

<sup>8</sup> Note that  $\bar{S} - \frac{\alpha_M}{\alpha_S} D(t_0) - Z(\bar{t}) > 0$  if  $\bar{t} > t_0$ , which is a necessary assumption to have an interesting problem.

reserve path: it shifts it up vertically by  $\partial R^*(t_0)$  at  $t_0$  and increases the steepness of the negatively sloped path after  $t_0$ .  $\bar{t}$  is the date of collapse without borrowing at  $t_0$  and  $R^*(\bar{t}_-)$  the stock of reserves the instant before the speculative attack at  $\bar{t}$ .

Figure 1a represents the case where  $\bar{t} - t_0$  increases as a result of government borrowing at  $t_0$  and Figure 1b the case where the attack is brought forward.

To complete the picture we must determine what happens to the stock of reserves at  $\bar{t}_-$ , just before the collapse, as a result of the open market sale. The answer is known once we know what happens to the nominal interest rate at  $\bar{t}$ . At  $\bar{t}_-$ ,  $i(\bar{t}_-) = i^*$ , with or without

borrowing. At  $\bar{t}$ ,  $i(\bar{t}) = i^* + E_{\bar{t}} \frac{\dot{\bar{S}}(\bar{t})}{\bar{S}(\bar{t})}$ . If the proportional rate of

exchange rate depreciation  $\dot{\bar{S}}/\bar{S}$  is higher (lower) at  $\bar{t}$  with borrowing at  $t_0$  than without it, then the stock of reserves at  $\bar{t}_-$  (and the collapse to zero of the stock of reserves at  $\bar{t}$ ) will be larger (smaller) with borrowing than without it. It is easily checked that

$$15) \quad \left. \frac{\partial \dot{\bar{S}}(\bar{t})}{\bar{S} \partial B^*(t_0)} \right|_{OM} = \frac{\alpha_M i^*}{\alpha_S} > 0$$

Since  $\dot{\bar{S}}(\bar{t}) = \dot{\bar{S}}$ , the proportional rate of exchange rate depreciation at the moment of collapse is raised by borrowing at  $t_0$ , regardless of whether the collapse is postponed or brought forward. Borrowing at  $t_0$

therefore increases the magnitude of the speculative attack as measured by the stock-shift loss of reserves at  $\bar{t}$ .

For a country headed towards an unwanted devaluation, the analysis has the following implications. First, don't borrow too soon, for without any reduction in the primary deficit, too early borrowing may precipitate the collapse. Second, "last minute" borrowing to defend the exchange rate is useful if the time it buys is used to implement a superior fundamental fiscal correction, i.e. a more effective package of measures for reducing the primary deficit.

### 3. Government Borrowing and the Timing of a Speculative Attack; The Discrete Time Stochastic Case.

The discrete time analogue of the model of equations 1) through 4) is given by

$$16) \quad \frac{M(t)}{S(t)P^*(t)} = \varrho \left[ (i(t), y(t)) \right]$$

$$17) \quad P(t) = S(t) P^*(t)$$

$$18) \quad 1 + i^*(t) = \frac{(1 + i^*(t))}{S(t)} E_t S(t+1)$$

$$19) \quad M(t+1) - M(t) + S(t) \left[ B^*(t+1) - B^*(t) \right] - S(t) \left[ R^*(t+1) - R^*(t) \right] \equiv$$

$$\Delta(t) + i^*(t)S(t)B^*(t)$$

As before,  $t_0$  is the period during which an open market purchase is performed. The probability, at  $t_0$  that the fixed exchange rate regime collapses in period  $t > t_0$  (neither later nor earlier) is denoted  $\pi(t, t_0)$ . As before,  $\tilde{S}(t)$  is the shadow floating exchange rate, i.e. the exchange rate that would prevail at time  $t$  if the fixed exchange rate regime collapsed at that instant. Therefore

$$(20) \quad \pi(t, t_0) \equiv \text{Prob}_{t_0} \left[ \tilde{S}(t) \geq \bar{S} \text{ and } \tilde{S}(t-i) < \bar{S}; 1 \leq i < t-t_0 \right]$$

$\overline{\pi}(t, t_0)$  is the probability, at  $t_0$ , that the exchange rate regime will collapse no later than period  $t$ . I shall use the fact that, for the shadow exchange rate forcing process specified below, (21) holds.

$$(21) \quad \overline{\Pi}(t, t_0) \equiv \sum_{j=t_0+1}^t \pi(j, t_0) = \text{Prob}_{t_0} (\tilde{S}(t) \geq \bar{S})^9$$

Linearizing the model of equations (16) to (19) we obtain the following first order equation of motion for the shadow exchange rate

$$(22) \quad \tilde{S}(t) = a_s E_t \tilde{S}(t+1) + a_m D(t) + v(t)$$

<sup>9</sup>The second equality in (21) only holds because the shadow exchange rate in our model always depreciates.

Take e.g. the two-period horizon, i.e. the probability that the fixed exchange rate regime collapses in no more than two periods.

$$\begin{aligned} \overline{\Pi}(t_0+2, t_0) &\equiv \pi(t_0+1, t_0) + \pi(t_0+2, t_0) \\ &= \text{Prob}_{t_0} [\tilde{S}(t_0+1) > \bar{S}] + \text{Prob}_{t_0} [\tilde{S}(t_0+2) > \bar{S}] \\ &\quad - \text{Prob}_{t_0} [\tilde{S}(t_0+1) > \bar{S} \text{ and } \tilde{S}(t_0+2) > \bar{S}] \end{aligned}$$

But since  $\tilde{S}(t)$  is strictly increasing in  $t$  (see equation (26) below)  
 $\text{Prob}_{t_0} [\tilde{S}(t_0+1) > \bar{S} \text{ and } \tilde{S}(t_0+2) > \bar{S}] = \text{Prob}_{t_0} [\tilde{S}(t_0+1) > \bar{S}]$

$$\begin{aligned} \left[ \text{Prob}_{t_0} [\tilde{S}(t_0+2) > \bar{S} \text{ and } \tilde{S}(t_0+1) > \bar{S}] \right] &= \text{Prob}_{t_0} [\tilde{S}(t_0+2) > \bar{S} \mid \tilde{S}(t_0+1) > \bar{S}] \\ \text{Prob}_{t_0} [\tilde{S}(t_0+1) > \bar{S}] &= \text{Prob}_{t_0} [\tilde{S}(t_0+1) > \bar{S}] \end{aligned}$$

Therefore  $\overline{\Pi}(t_0+2, t_0) = \text{Prob}_{t_0} [\tilde{S}(t_0+2) > \bar{S}]$

Where

$$23a) \quad a_s = \left[ \frac{1 + i^*}{(1 + i)p - e_i^{-1} M} \right]_0 ; 0 < a_s < 1$$

$$23b) \quad a_m = - \left[ \frac{S e_i^{-1}}{(1 + i)p - e_i^{-1} M} \right]_0 ; a_m > 0$$

$$23c) \quad v(t) = \left[ \frac{S e_i^{-1} M}{((1 + i)p - e_i^{-1} M) p^*} \right]_0 p^*(t) + \left[ \frac{p S e_i^{-1} e_y}{(1 + i)p - e_i^{-1} M} \right]_0 y(t) \\ + \left[ \frac{E_t S(t + 1)}{1 + i^*} \right]_0 i^*(t)$$

Choosing the fundamental, convergent forward-looking solution for  $\tilde{S}(t)$  we find

$$24) \quad \tilde{S}(t) = a_m D(t) + v(t) + \sum_{k=1}^{\infty} a_s^k E_t \left[ a_m D(t + k) + v(t + k) \right]$$

$$\text{Note that } D(t + k) = D(t_0) + (t + k - t_0) i^* \bar{S}^*(t_0) + \sum_{j=t_0}^{t+k-1} \Delta(j)$$

Following Flood and Garber [1984] we assume that  $\Delta(j)$  is governed by the following stochastic process.



$$25a) \quad \Delta(j) = \Delta + \epsilon(j)$$

$$25b) \quad \epsilon(j) = -\lambda^{-1} + \eta(j) \quad \lambda > 0$$

The  $\eta(j)$  are i.i.d. random variables with an exponential density  $f$  given by:

$$25c) \quad f(\eta(j)) = \begin{cases} \lambda e^{-\lambda\eta(j)} & \eta(j) > 0 \\ 0 & \eta(j) \leq 0 \end{cases}$$

$$25d) \quad \Delta + i^* \bar{S} B^*(t_0) \geq \lambda^{-1}$$

This specification ensures that domestic credit expansion, although stochastic, is always positive. Note that since arbitrarily large realizations of  $\eta$  can occur, there is always a non-zero probability that any stock of reserves, however large, will be exhausted by a speculative attack the next period. As pointed out by Flood and Garber [1984], the currency will therefore always stand at a forward discount while the fixed exchange rate regime survives.

Assuming for notational simplicity that  $v(t) = E_t v(t+k) = 0$  for all  $t$  and for all  $k \geq 1$ , we can now rewrite (24) as

$$26) \quad \tilde{S}(t) = \frac{a_m}{1-a_s} \left[ D(t_0) + (t-t_0)(i^* \bar{S} B^*(t_0) + \Delta - \lambda^{-1}) + \sum_{j=t_0}^{t-1} \eta(j) \right] \\ + \frac{a_m a_s}{(1-a_s)^2} \left[ \Delta + i^* \bar{S} B^*(t_0) \right]$$

Therefore,

$$27) \quad \overline{TT}(t_1, t_0) = \text{Prob}_{t_0}(\tilde{S}(t) \geq \bar{S}) = \text{Prob}(\bar{\eta}(t, t_0) \geq K(t, t_0))$$

where

$$28a) \quad \bar{\eta}(t, t_0) = \sum_{j=t_0}^{t-1} \eta(j)$$

and

$$28b) \quad K(t, t_0) = \left[ \frac{1-a_s}{a_m} \right] \bar{S} - \frac{a_s}{1-a_s} \left[ \Delta + i^* \bar{S} B^*(t_0) \right] \\ - \left[ D(t_0) + (t - t_0) (\Delta + i^* \bar{S} B^*(t_0) - \lambda^{-1}) \right]$$

Since the  $\eta(j)$ ,  $j = t_0, \dots, t-1$  are independent random variables each having an exponential distribution with parameter  $\lambda$ , it follows that  $\bar{\eta}(t, t_0)$  has the gamma density  $\Gamma(t-t_0, \lambda)$ , where  $t - t_0 \geq 1$  and

$$29) \quad \Gamma(t - t_0, \lambda) = \begin{cases} \frac{\lambda^{t-t_0}}{(t-t_0-1)!} \bar{\eta}(t, t_0)^{t-t_0-1} e^{-\lambda \bar{\eta}(t, t_0)} & ; \bar{\eta}(t, t_0) > 0 \\ 0 & ; \bar{\eta}(t, t_0) \leq 0 \end{cases}$$

Therefore

$$\overline{\Pi}(t, t_0) = \begin{cases} \int_0^{\infty} \frac{\lambda^{t-t_0}}{(t-t_0-1)!} \bar{\eta}(t-t_0)^{t-t_0-1} e^{-\lambda \bar{\eta}(t, t_0)} d\bar{\eta}(t, t_0); & K(t, t_0) > 0 \\ 1 & ; K(t, t_0) \leq 0 \end{cases}$$

Using elementary properties of gamma functions, this simplifies to

$$30) \quad \overline{\Pi}(t, t_0) = \begin{cases} \sum_{k=0}^{t-t_0-1} \frac{(\lambda K(t, t_0))^k}{k!} e^{-\lambda K(t, t_0)} & ; K(t, t_0) > 0 \\ 1 & ; K(t, t_0) \leq 0 \end{cases}$$

The case considered by Flood and Garber [1984] involved the probability of collapse the next period,  $\overline{\Pi}(t_0 + 1, t_0)$  which, from (30) is given by

$$\overline{\Pi}(t_0 + 1, t_0) = \begin{cases} e^{-\lambda K(t_0 + 1, t_0)} & ; K(t_0 + 1, t_0) > 0 \\ 1 & ; K(t_0 + 1, t_0) \leq 0 \end{cases}$$

$\overline{\Pi}(t, t_0)$  increases with  $t$ , i.e.  $\overline{\Pi}(t + 1, t_0) > \overline{\Pi}(t, t_0)$ . First, holding the  $K$ 's constant, increasing  $t$  by one period adds a positive term to the sum in (30). Second, from (28b)  $K(t, t_0)$  decreases or stays constant (according as to whether  $\Delta + i^* \bar{SB}^*(t_0) - \lambda^{-1} \geq 0$ ) as

$t$  increases. As shown below in equation (31),  $\frac{\partial \overline{\Pi}(t, t_0)}{\partial K(t, t_0)} =$

$$\frac{-\lambda (\lambda K(t, t_0))^{t-t_0-1} e^{-\lambda K(t, t_0)}}{(t-t_0-1)!} < 0. \text{ Any decline in } K(t, t_0) \text{ as } t$$

increases therefore also tends to raise  $\overline{\Pi}$ .

We now consider how, for  $K(t, t_0) > 0$ , the probability of collapse during an interval of  $t - t_0$  periods after an open market sale at  $t_0$  is affected by this financial operation. Tedious algebra shows that

$$31) \left. \frac{\partial \overline{K}(t, t_0)}{\partial B^*(t_0)} \right|_{OM} = \left[ \sum_{k=0}^{t-t_0-1} \frac{(\lambda K(t, t_0))^k e^{-\lambda K(t, t_0)}}{k!} \right] \left[ \frac{k}{K(t, t_0)} - \lambda \right] \left. \frac{\partial K(t, t_0)}{\partial B^*(t_0)} \right|_{OM}$$

$$= \frac{-\lambda (\lambda K(t, t_0))^{t-t_0-1}}{(t-t_0-1)!} e^{-\lambda K(t, t_0)} \left. \frac{\partial K(t, t_0)}{\partial B^*(t_0)} \right|_{OM}$$

where, from (28b)

$$32) \left. \frac{\partial K(t, t_0)}{\partial B^*(t_0)} \right|_{OM} = 1 - i^* \left[ t - t_0 + \frac{a_s}{1 - a_s} \right]$$

From (31) and (32)

$$3) \left. \frac{\partial \overline{K}(t, t_0)}{\partial B^*(t_0)} \right|_{OM} > 0 \iff t - t_0 > \frac{1}{i^*} - \frac{a_s}{1 - a_s}$$

Noting that since  $a_s \approx \frac{1}{1 + \alpha_s}$ , this discrete time stochastic result can be seen to correspond closely to the continuous time deterministic result reported in equation (14).

Clearly, the probability of an immediate collapse after an open market sale is reduced by the sale unless the interest rate is very high indeed:

$$\frac{\partial \overline{\pi}(t_0 + 1, t_0)}{\partial B^*(t_0)} \Big|_{DM} > 0 \Leftrightarrow i^* > 1 - a_s$$

Also, from (33) the duration of the interval, after an open market sale, for which the probability of a collapse is reduced, is inversely related to the interest rate.

It would be informative to obtain an expression for the expected duration of the interval between the open market sale and the collapse of the fixed exchange rate regime, and to analyse how it is affected by the sale. The expected waiting time until the collapse is denoted  $E_{t_0}(t - t_0)$ .

The probability of a collapse occurring in period  $t$  (neither earlier nor later) is  $\pi(t, t_0) = \overline{\pi}(t, t_0) - \overline{\pi}(t - 1, t_0)$ . Therefore,

$$34) E_{t_0}(t - t_0) = \sum_{t=t_0+1}^{\infty} (t - t_0) [\overline{\pi}(t, t_0) - \overline{\pi}(t - 1, t_0)]^{10}$$

<sup>10</sup>Note that  $\overline{\pi}(t_0, t_0) = 0$  for  $K > 0$ .



$$36) \quad E_{t_0}(t - t_0) = \lambda K(t_0 + 1, t_0) + 1$$

From (35) and (32) it follows that

$$37) \quad \left. \frac{\partial E_{t_0}(t - t_0)}{\partial B^*(t_0)} \right|_{DM} = \lambda \left[ 1 - i^* \left( 1 + \frac{a_s}{1 - a_s} \right) \right]$$

An open market sale at  $t_0$  increases the expected length of the interval until the collapse of the exchange rate regime i.f.f.  $i^* < 1 - a_s$ . This is the same (weak) condition under which  $\overline{TT}(t_0 + 1, t_0)$  falls as a result of the open market sale (see equation (34)).

### Conclusion

The main results of the paper are summarized in the introduction. I conclude by restating the main policy conclusion and suggesting possible extensions of the approach adopted in this paper.

The policy message of the paper is a familiar but important one. Borrowing additional reserves to defend the exchange rate is useful to the extent that "buying time" is useful. It might e.g. be useful if the quality of the fiscal package necessary to create a viable exchange rate regime is improved by a delay in its implementation. Borrowing without a fiscal correction lowers the likelihood of an early collapse and increases the expected duration of the interval until the collapse. As

it raises the likelihood of a later collapse, viability (in the sense of long run assured survival of the managed exchange rate regime) can be achieved only by lowering the government's need for seigniorage revenue. This requires a fundamental fiscal correction, i.e. a lowering of the primary deficit.

Desirable extensions of the analytical approach of this paper include a more flexible specification of fiscal and financial policy and a more satisfactory modelling of liquidity constraints, leading to foreign exchange crises and the collapse of managed exchange rate regimes, and solvency constraints, causing not only foreign exchange crises but also default on or repudiation of public sector debt.<sup>12</sup> An international cash-in-advance model may be a suitable vehicle for analysing both issues.

---

<sup>12</sup>For an interesting discussion of some of these issues, see Obstfeld [1984b].



References

- Buiter, W. H. [1985], "A Guide to Public Sector Debt and Deficits,"  
Economic Policy Vol. 1, no. 1, Nov. 1985, pp. 14-79.
- Collins, S. M. [1984]. "Exchange Rate Expectations and Interest Parity  
During Credibility Crises. The French Franc, March 1983." Harvard  
University, HIER Discussion Paper Series No. 1080, August.
- Connolly, M.B. and D. Taylor, "The Exact Timing of the Collapse  
of an Exchange Rate Regime and its Impact on the Relative Price of  
Traded Goods, "Journal of Money Credit and Banking, May 1984, pp.  
194-207.
- Cumby, R. E. and S. van Wijnbergen [1983]. "Fiscal Policy and  
Speculative Runs on the Central Bank Under a Crawling Peg Exchange  
Rate Regime: Argentina: 1979-1981." Mimeo, N.Y.U. Graduate  
School of Business Administration.
- Diamond, P. W. and P. H. Dybvig, "Bank Runs, Deposit Insurance and  
Liquidity", Journal of Political Economy June 1983, pp. 401-419.
- Dornbusch, R. [1984], "Collapsing Exchange Rate Regimes," mimeo.
- Flood, R. P. and P. M. Garber, "A Model of Stochastic Process  
Switching," Econometrica, May 1983, pp. 537-551.

Flood, R. P. and P. M. Garber, "Gold Monetization and Gold Discipline,"  
Journal of Political Economy, February (1984a), pp. 90-107.

Flood, R. P. and P. M. Garber (1984b), "Collapsing Exchange Rate  
Regimes: Some Linear Examples," Journal of International  
Economics.

Garber, P. and V. Grilli [1986], "The Belmont-Morgan Syndicate as an  
Optimal Investment Banking Contract," European Economic Review,  
forthcoming.

Grilli, V. [1984], "Speculative Attacks and Devaluations in the EMS,"  
mimeo, 1984.

Grilli, V. (1986a), "Buying and Selling Attacks on Fixed Exchange  
Rate Systems," Journal of International Economics, forthcoming.

Grilli, V. [1986b], "Investment Banking Contracts in a Speculative  
Attack Environment: Evidence From the 1890's." Unpublished.

Krugman, Paul, "A Model of Balance of Payments Crises," Journal of  
Money Credit and Banking, August 1979, pp. 311-325.

Obstfeld, M., "Balance of Payments Crises and Devaluation,"  
Journal of Money Credit and Banking, May 1984a, pp. 208-217.

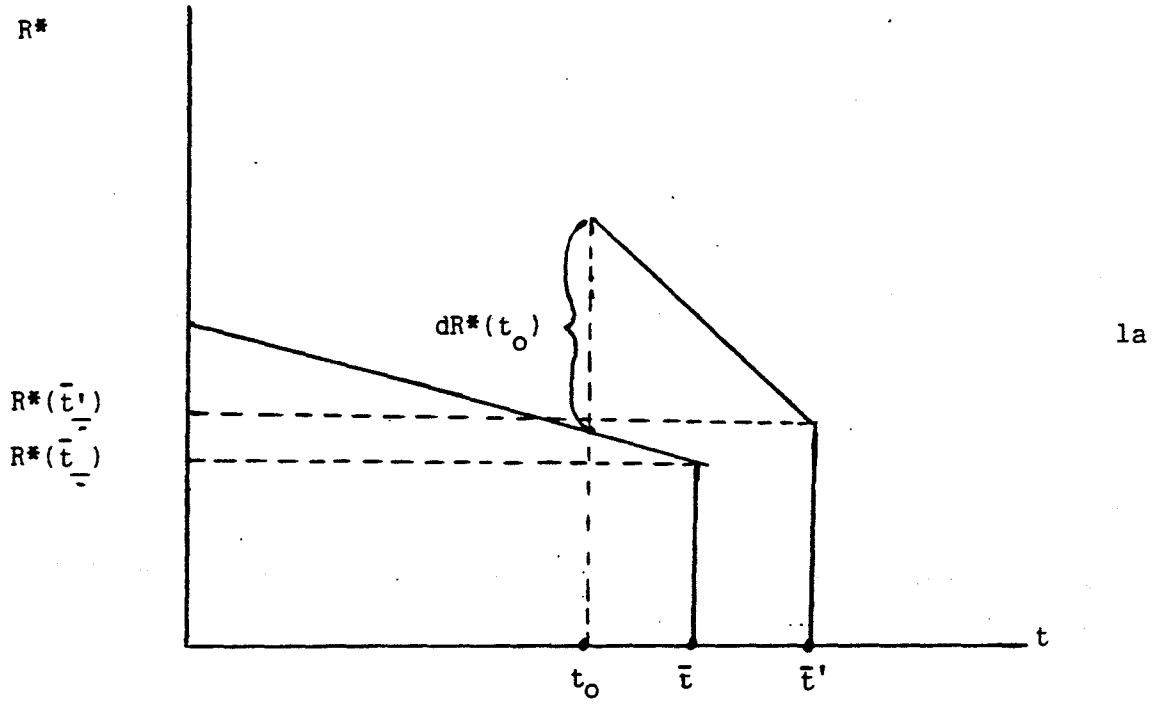
Obstfeld, M., "Speculative Attack and the External Constraint  
in a Maximizing Model of the Balance of Payments," NBER Working  
Paper No. 1437, August 1984b.

Obstfeld, M., "Rational and Self-Fulfilling Balance of Payments  
Crises," NBER Working Paper No. 1486, November 1984c.

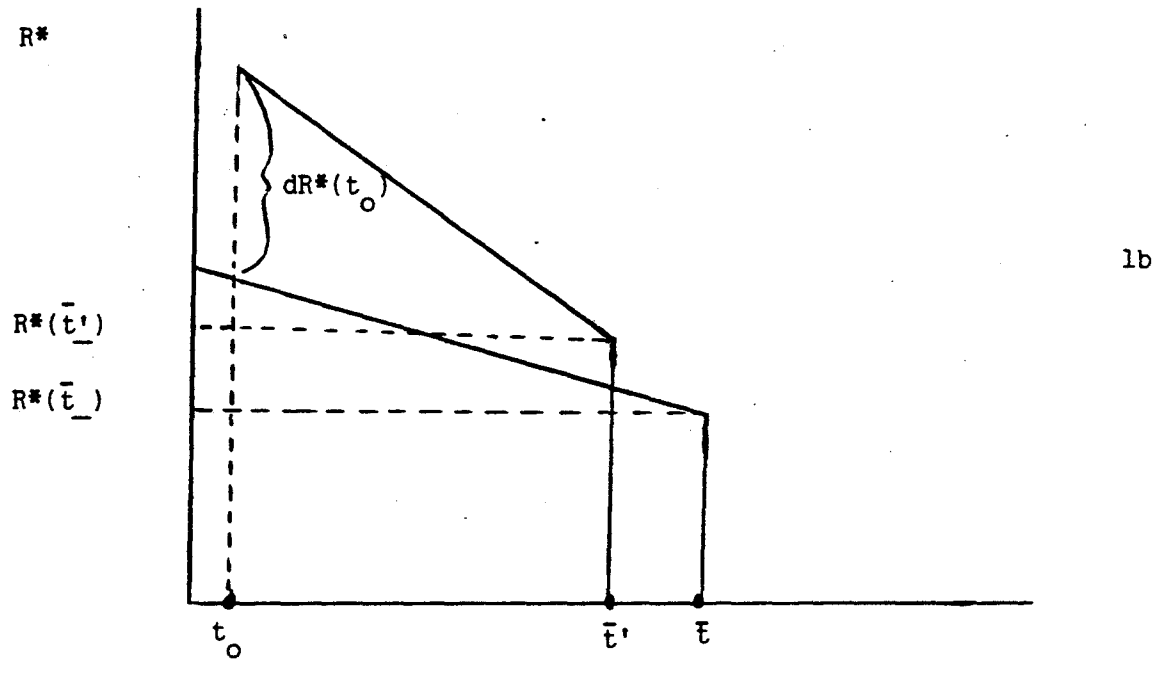
Salant, S. W. and D. W. Henderson [1978], "Market Anticipations of  
Government Policies and the Price of Gold." Journal of Political  
Economy, August, pp. 627-648.

Salant, S. W., "The Vulnerability of Price Stabilization Schemes to  
Speculative Attack," Journal of Political Economy, February 1983,  
pp. 1-38.

Sargent, T. J. and N. Wallace [1984], "Some Unpleasant Monetarist  
Arithmetic," in B. Griffith and G. E. Wood eds. Monetarism in the  
United Kingdom, pp. 15-41, MacMillan, London.



1a



1b

Figure 1

Borrowing and the Timing and Magnitude of the Collapse of  
A Fixed Exchange Rate Regime