

Passa, Constadina; Xepapadeas, Anastasios

**Working Paper**

## Participation in and Compliance with Public Voluntary Environmental Programs: An Evolutionary Approach

Nota di Lavoro, No. 67.2004

**Provided in Cooperation with:**

Fondazione Eni Enrico Mattei (FEEM)

*Suggested Citation:* Passa, Constadina; Xepapadeas, Anastasios (2004) : Participation in and Compliance with Public Voluntary Environmental Programs: An Evolutionary Approach, Nota di Lavoro, No. 67.2004, Fondazione Eni Enrico Mattei (FEEM), Milano

This Version is available at:

<http://hdl.handle.net/10419/117945>

**Standard-Nutzungsbedingungen:**

Die Dokumente auf EconStor dürfen zu eigenen wissenschaftlichen Zwecken und zum Privatgebrauch gespeichert und kopiert werden.

Sie dürfen die Dokumente nicht für öffentliche oder kommerzielle Zwecke vervielfältigen, öffentlich ausstellen, öffentlich zugänglich machen, vertreiben oder anderweitig nutzen.

Sofern die Verfasser die Dokumente unter Open-Content-Lizenzen (insbesondere CC-Lizenzen) zur Verfügung gestellt haben sollten, gelten abweichend von diesen Nutzungsbedingungen die in der dort genannten Lizenz gewährten Nutzungsrechte.

**Terms of use:**

*Documents in EconStor may be saved and copied for your personal and scholarly purposes.*

*You are not to copy documents for public or commercial purposes, to exhibit the documents publicly, to make them publicly available on the internet, or to distribute or otherwise use the documents in public.*

*If the documents have been made available under an Open Content Licence (especially Creative Commons Licences), you may exercise further usage rights as specified in the indicated licence.*

**Participation in and Compliance  
with Public Voluntary  
Environmental Programs:  
An Evolutionary Approach**

Anastasios Xepapadeas

and Constadina Passa

NOTA DI LAVORO 67.2004

**APRIL 2004**

GG – Global Governance

Anastasios Xepapadeas and Constadina Passa,  
*Department of Economics, University of Crete*

This paper can be downloaded without charge at:

The Fondazione Eni Enrico Mattei Note di Lavoro Series Index:  
<http://www.feem.it/Feem/Pub/Publications/WPapers/default.htm>

Social Science Research Network Electronic Paper Collection:  
<http://ssrn.com/abstract=XXXXXX>

The opinions expressed in this paper do not necessarily reflect the position of  
Fondazione Eni Enrico Mattei

# **Participation in and Compliance with Public Voluntary Environmental Programs: An Evolutionary Approach**

## **Summary**

The joint evolution of participating and complying firms in a public VA, along with the evolution of the pollution stock is examined. Replicator dynamics modeling participation and compliance are combined with pollution stock dynamics. Fast-slow selection dynamics are used to capture the fact that decisions to participate in and further comply with the public VA evolve in different time scales. Evolutionary stable (ES) equilibria depend on the structure of the legislation and auditing probability. Partial participation and partial compliance can be ES equilibria, with possible multiplicities, in addition to the monomorphic equilibria of full (non) compliance. Convergence to these equilibria could be monotonic or oscillating. Full participation and compliance can be attained if the regulator is pre-committed to certain legislation and inspection probabilities, or by appropriate choices of the legislatively set emission level and the non-compliance fine.

**Keywords:** Voluntary agreements, Participation, Compliance, Evolutionary stability, Replicator dynamics

**JEL Classification:** Q2, L5

*Address for correspondence:*

Constadina Passa  
Department of Economics  
University of Crete  
University Campus  
74100 Rethymno  
Crete  
Greece  
E-mail: [dina@stud.soc.uoc.gr](mailto:dina@stud.soc.uoc.gr)

# 1 Introduction

Recent experience in environmental regulation indicates that traditional regulatory instruments, such as emission taxes, subsidies, or tradeable permit systems etc., might not be entirely successful in reversing the environmental degradation process, creating the need for an evolution of environmental policy towards new instruments. Voluntary approaches appear to be an alternative to traditional instruments to pollution control, since they offer certain advantages over mandatory regulations that impose technology restrictions or penalties on firms. They are expected to increase economic and environmental effectiveness, as well as social welfare, since they allow firms greater flexibility in their pollution control strategies and also have the potential to reduce transaction and compliance costs.<sup>1</sup> Voluntary approaches can be placed into three basic categories, based mainly on the degree of public intervention.<sup>2</sup> *Negotiated agreements*, which are the most common cases of voluntary approaches, imply a bargaining process between the regulatory body and a firm or an industry group, in order to jointly set the environmental goal and the means of achieving it. *Unilateral agreements* are environmental improvement programs prepared and voluntarily adopted by firms themselves.<sup>3</sup> *Public voluntary agreements* are environmental programs developed by a regulatory body with which firms can only agree with and in return they may receive technical aid, supplementary funds and/or favorable publicity<sup>4</sup>.

The potentially most serious drawback of voluntary approaches (VAs) is that they leave room for "free-riding" behavior. Particularly, in an industry-wide public voluntary agreement where the attainment of an environmental target requires collective action, individual firms may have incentives not to reduce their emissions but to rely upon other firms to carry out the actions necessary to attain the target. These firms can decide not to participate in the achievement of the established goal either ex-ante (non-participation), or ex-post after signing the agreement (non-compliance). Therefore, it is possible that the incentive to free-ride may impede the establishment of a public VA, or may result in a failure of the agreement because signatory firms do not comply with the rules of the VA.<sup>5</sup> This suggests some limitations in the ability of VAs to attain desired targets. In fact there are some reservations regarding the ability of public VAs to improve environmental quality as an independent policy tool, based on empirical observations. According to a report by Environment

---

<sup>1</sup>The theoretical analysis of voluntary approaches to environmental regulation has been mainly developed in the recent decade. See for example the work of Carraro and Siniscalco (1996), Segerson and Miceli (1998), Segerson and Dawson (2000), Brau et al. (2001), Lyon and Maxwell (2003).

<sup>2</sup>This refers primarily to the degree of authority's impact on a certain hierarchical level of public administration (Šauer et al., 2001).

<sup>3</sup>Such voluntary approaches are also known as "self-regulation".

<sup>4</sup>Polluting firms may receive rights to use an ecological logo or certification label.

<sup>5</sup>Nevertheless, despite the presence of apparent incentives to free-ride it is possible to have an equilibrium in which the environmental target is achieved and only a subset of firms in the industry comply with the agreement's provisions, while the remaining free-ride (Dawson and Segerson, 2001).

Canada, *"the industrial sectors that relied solely on self monitoring or voluntary compliance<sup>6</sup> had a compliance rating of 60% versus the 94% average compliance rating of those industries which were subject to federal regulations combined with a consistent inspection program"*.<sup>7</sup> These findings imply that both participation in and compliance with the agreement's provisions and goals are important in successful VAs. Indeed without appropriate threats of sanctions or enforcement schemes, there may be a problem of compliance or uneven application. Thus it seems that a successful VA scheme may need to include a mix of voluntary and mandatory features, to ensure that polluting agents will not only sign the public VA but also comply with its provisions and reduce their emissions to a desirable level. Examples of successful public voluntary programs include the EPA's "33-50" program that seeks to encourage firms in the US Chemical industry to voluntarily reduce the discharges of 17 high-priority toxic chemicals under the background threat of legislation (Khanna and Damon, 1998), the environmental management system certification standards "EMAS" and "ISO 14000" (Šauer et al., 2001), the "US. Conservation Reserve Program" (CRP) that used cost-sharing and other financial inducements to achieve reduction of agricultural pollution through voluntarily participation in soil conservation and other erosion control programs (Segerson and Miceli, 1998) and its successor "Environmental Quality Incentives Program" (EQIP) (Dawson and Segerson, 2001). Examples of public VA schemes<sup>8</sup> include the "Canadian Industry Program for Energy Conservation" (CIPEC), the "US Green Lights" , the "Motor Challenge" programs for industry, as well as the "Golden Carrot" program for manufactures of highly energy-efficient refrigerators which have been recently consolidated with the "Motor Challenge" (OECD 1998). The Canadian "Climate Change Voluntary Challenge and Registry Program" permits least-cost actions from industry, business, government and public institutions to limit or reduce net greenhouse gas emissions, and participants are free from government regulatory requirements.

In the present paper we study the long-run structure of a public VA where the regulator makes an offer to a large number of homogeneous firms to reduce emissions in order to voluntarily attain, by using flexible cost saving methods, a desired target ambient pollution level.<sup>9</sup> The type of VA programme we study has many similarities with voluntary climate change programs or the various Energy Star programs.<sup>10</sup> If the offer attains full participation, a target ambient pollution stock is attained. If there is no full participation there is a deviation from the target and a positive probability of legislation that will regulate the

---

<sup>6</sup>The term compliance refers to the state of conformity with the existing environmental provisions.

<sup>7</sup>"Enforcement vs Voluntary Compliance: An Examination of the Strategic Enforcement Initiatives Implemented by the Pacific and Yukon Regional Office of Environment Canada, Report No. DOEFRAP 19983.

<sup>8</sup>It should be noted that while "ProjectXL" and "Common Sense Initiative" involve negotiation, they also resemble public voluntary programs.

<sup>9</sup>The flexible methods of reducing emissions through the VA program have a weak cost advantage relative to regulation like, for example, the XL Project or the EPA's 33-50.

<sup>10</sup>See, for example, OECD (1998).

sector through conventional instruments such as taxes or emission limits. Thus free riding, in the sense of not participating and expecting to avoid regulation because others are participating, may trigger regulation. Participating firms are not directly observed by the regulator so there could be incentives not to comply. The regulator tries to deter non-compliance by random auditing and fines to those found not in compliance with the VA programme. The probability of auditing may increase with deviations from the target ambient pollution level.

In modelling the process where firms decide whether to participate in the agreement under a probabilistic regulation threat, we adopt an evolutionary framework. The basic characteristic of this framework is that, although firms are profit maximizers in the output choice, when it comes to choosing a strategy regarding participating in the VA programme, or whether to comply or not, they adopt a more passive decision making and not an explicit optimizing behavior.<sup>11</sup> This more passive decision making is modelled by an evolutionary process where decisions are taken by comparing the profits of a strategy to participate and comply with the corresponding expected profits of a nonparticipating, non-complying firm. Successful strategies, in the sense of those attaining higher expected profits, are imitated by other firms with a probability proportional to the difference between the corresponding profits. Thus profit differentials exercise evolutionary pressures on the composition of the population so that more successful strategies increase their share in the total population of firms. A simple way to model the movements in the composition of the population of firms regarding participation in and compliance with the VA is the use of *replicator dynamics*.<sup>12</sup> We use replicator dynamics as our selection dynamics to model in two stages the evolution of: (i) the decision to sign or not the agreement, and (ii) the decision to comply or not with the agreement's provisions after signing it. The use of replicator dynamics allows us to determine strategies regarding participation and compliance which are evolutionary stable (ES).<sup>13</sup> We further elaborate on the selection dynamics by considering the situation where decisions to participate or not evolve fast, since when the offer is made there is usually a time framework determined by legal considerations,<sup>14</sup> while decisions regarding compliance after participation are unconstrained and we expect them to evolve much more slowly. This suggests that the ES equilibrium composition of firms regarding participation in the VA is reached faster than the ES equilibrium composition regarding compliance, which suggests that selection dynamics operate in a *fast-slow dynamics* framework.

---

<sup>11</sup>This evolutionary approach might be interpreted as encompassing ideas of bounded rationality since it can be associated with firms' bounded ability to fully perceive either advantages associated with flexibilities and cost superiority of the VA programme, or costs associated with probabilistic fines. For general presentations of these approaches see for example Nelson (1995) and Conlisk (1996).

<sup>12</sup>For definitions, see, for example, Weibull (1995). For applications of this methodology to common property resources see, Sethi and Somanathan (1998).

<sup>13</sup>A strategy is evolutionary stable if it can not be invaded by a mutant strategy. (See for example Weibull (1995) page 36)

<sup>14</sup>For example EPA's National Environmental Performance Track accepts applications twice a year.

Our contribution lies therefore in using, for the first time to our knowledge, an evolutionary approach with fast-slow selection dynamics to jointly determine the steady-state equilibrium fraction of signatory and complying firms, as well as the corresponding steady-state equilibrium emission stock. Using this approach we are able to determine "*which strategies survive in the long-run*", in the sense of evolutionary stability, define the structure that a voluntary agreement would have in the long run and identify policy rules that might produce desirable ES VAs.<sup>15</sup> The analysis indicates that the value and characteristics of the legislation probability and the auditing probability are of crucial importance for the resulting long-term equilibrium outcome. Under different assumptions about the legislation probability, the fast time dynamic system can alternatively converge to a polymorphic or monomorphic steady state, implying either partial or full (non) participation in the public VA. Similarly by choosing the structure of the auditing probability, the regulator can achieve partial or full (non) compliance. There is a possibility of unique or multiple ES equilibria with potential irreversibilities, while the convergence to these equilibria could be monotonic or oscillating. Full participation and full compliance, which can be regarded as the desired outcome for the regulator, can be attained if the regulator is pre-committed to certain legislation and inspection probabilities, or by appropriate choices of the legislatively set emission level and the non-compliance fine.

## 2 The Industrial Model

Assume an industrial sector consisting of  $i = 1, 2, \dots, n$  small and identical firms. Firms operate under competitive conditions and emit into the ambient environment. Emissions accumulate in the environment and cause external damages. Due to the externality emissions exceed the socially-desirable levels without regulation. The regulator proposes formally a "take-it-or-leave-it" environmental protection scheme and gives each firm in the industrial sector a chance to voluntarily meet an exogenously determined emission level  $e_v$ . This type of public VA offers full flexibility to choose the profit-maximizing and legislative preemptive means of achieving the target and could provide cost advantages over legislative regulation (Brau et al., 2001, Segerson 2001).

In particular the regulator proposes a long-term "preemptive" public voluntary environmental contract<sup>16</sup> to which firms can only agree or not. If all firms follow the agreement then total emissions in the ambient environment will be  $E_v = ne_v$ , assuming that the pollution stock  $S$  accumulates according to:

$$\dot{S}(t) = E(t) - \varphi(S(t)), \quad E(t) = \sum_{i=1}^n e_i(t) \quad (1)$$

---

<sup>15</sup>For a similar approach regarding the regulation of a renewable resource, see Xepapadeas (2003)

<sup>16</sup>Such voluntary approaches indirectly reduce expected production costs because they reduce the probability of facing a (more costly) direct regulatory regime (Brau et al., 2001).

where  $E(t)$  denotes total emissions at time  $t$  due to industrial activities, and the term  $\varphi(S(t))$  denotes emissions outflows reflecting natural environmental self cleaning process and environmental feedbacks.

Let,  $\bar{S}(t)$  be the path of the pollution stock under full participation and compliance to the agreement. If there is no full participation, a deviation is expected between the observed stock of pollution and the desired stock  $\bar{S}(t)$ . We denote this deviation at time  $t$  by  $\Delta S(t) = S(t) - \bar{S}(t)$ . Participation in the agreement does not imply that a firm will also comply with the agreement. Thus we assume that although the regulator has full observability of the participating firms, simultaneous control of all signatory firms is prohibitively costly. In this case inspection of randomly chosen signatory firms is the mechanism usually applied to verify compliance and identify compliance problems. Therefore a positive  $\Delta S(t)$  might be the result of either partial participation and non-compliance by some of the participating firms, or under full participation, the result of non-compliance by some the firms that have already signed the agreement. Let  $x(t)$  denote the proportion of participating firms at time  $t$ . It would be intuitive to assume that from a firm's point of view the subjective probability of having legislation introduced at time  $t$  depends on the deviation  $\Delta S(t)$  and the proportion of participating firms  $x(t)$ , or<sup>17</sup>

$$p(t) = p(\Delta S(t), x(t), \omega_v(t)), \text{ with } \frac{\partial p(\cdot)}{\partial \Delta S} > 0, \frac{\partial p(\cdot)}{\partial x} < 0 \quad x \in [0, 1] \quad (2)$$

where  $\omega_v(t)$  is a vector of other parameters affecting the probability of regulation which may include legislative procedures, transaction costs, etc.

An increase in the deviation  $\Delta S(t)$  increases the probability of regulation, while an increase in the number of participating firms reduces the probability of regulation. To provide further structure to the probability of introducing legislation we assume that this probability is common to all firms and that:  $p(0, 1) = 0$ ; <sup>18</sup>  $p(\Delta S, x | \Delta S > 0, x < 1) > 0$ ;  $p(\Delta S, 1 | \Delta S > 0) = 0$ . That is, if everybody participates, then the deviation is due to non-compliance and the regulator has to resort to other methods such as random inspections and fines which are discussed below. We assume that  $(\Delta S(t), x(t))$  are observable by the regulator and become public information, while there is uncertainty regarding the vector  $\omega_v$ . Firms can use announced  $(\Delta S(t), x(t))$  to calculate subjective probabilities, but there is uncertainty regarding the probability law  $p(\Delta S(t), x(t), \omega_v(t))$ , thus firms use model (2) as a benchmark for some fixed value of the vector  $\omega_v$ .

If the firms believe that the crucial factor that affects the probability of legislation is not the proportion of participating firms but only the deviations from the desired pollution path, then this probability can be further simplified

<sup>17</sup>Segerson and Miceli (1998) assume a fixed legislation probability.

<sup>18</sup>The possibility of  $p(0, x | x < 1) = 0$ , which allows for overcompliance by some firms so that the target is achieved even if some firms are not participating, is not considered. The possibility of overcompliance implies the introduction of another strategy,  $e_{OC} < e_v$ . This case is left as an area for further research.



to<sup>19</sup>

$$p(t) = p(\Delta S(t), \omega_v(t)), \text{ with } \frac{\partial p(\cdot)}{\partial \Delta S} > 0 \quad (3)$$

The decision to participate and then to comply or not depends on the structure of profits. In our model, each firm produces an output  $Q$  and emissions  $e$ . The cost function  $C(Q, e)$  is a continuous function where  $C_Q > 0$ ,  $C_e < 0$ ,  $C_{QQ} > 0$  and  $C_{ee} > 0$ . We assume that the VA offers only a cost advantage to participating and complying firms since participation and compliance deter the introduction of relatively more costly mandatory regulation. Moreover participation in the public VA allows for greater flexibility in the processes of emissions reduction, and offers lower compliance and transaction costs.<sup>20</sup>

The firm's profit function is defined as  $\Pi(e) = \max_Q \{PQ - C(Q, e)\}$ . At the unregulated equilibrium a firm chooses emissions  $e_o = \arg \max_e \Pi(e)$ . Therefore when a firm decides not to participate in the VA, either ex-ante or ex-post, and continues producing at the profit-maximizing emission level without facing a legislative mandate or paying a fine, then profits are defined as  $\Pi_N(e_o)$ .

If a firm decides to sign the VA in the first stage and voluntarily comply with its provisions to emit at the agreed level  $e_v$  then profits are  $\Pi_v(e_v) = \max_Q \{PQ - C_v(Q, e_v)\}$ , where  $C_v(Q, e)$  is the cost function under the flexibility provided by the VA.

If a firm decides not to participate in the VA and mandatory legislation is used to introduce regulation, then its profit function could be defined as:

$$\Pi_L(e, \tau) = \max_Q \{PQ - C_L(Q, e) - \tau_L e\} \quad (4)$$

$$\Pi_L(e) = \max_Q \{PQ - C_L(Q, e)\} \text{ with } e \leq \bar{e} \quad (5)$$

if the legislation introduces an emission tax  $\tau$ , or an emission limit (performance standard)  $\bar{e}$ . In both cases  $C_v(Q, e) < C_L(Q, e)$  under the cost advantage assumption of the VA. So under legislation profits can be defined as  $\Pi_L(e_L)$ , where  $e_L(\tau) = \arg \max_e \Pi_L(e, \tau)$  under taxation, or  $e_L = \arg \max_e \Pi_L(e)$  subject to  $e \leq \bar{e}$ , under a performance standard. Under standard assumptions  $e_L = \bar{e}$ .<sup>21</sup>

If a firm that has already signed the agreement decides not to comply and emit at the unregulated level  $e_o$ , then there is a possibility that the firm could be caught after a random inspection. If caught the firm is subjected to individual legislation with a performance standard  $\bar{e} = e_L$  and a non-compliance fine  $F$ . Assuming that the individual performance standard is set at  $e_L$  defined above, the profits of a non-complying firm which is caught after a random inspection

<sup>19</sup>It seems that  $\Delta S$  shall always be part of the subjective probability in every case. If the subjective probability is a function of participation proportion  $x$  alone, then the incentive to participate is not linked with the achievement of the environmental target  $e_v$ .

<sup>20</sup>We assume that the VA does not improve a firm's public image and increase consumers' goodwill. Therefore total revenues remain unchanged whether firms participate in the agreement or not and whether they comply with it or not.

<sup>21</sup>Furthermore, under standard assumptions the target  $\bar{e} = e_L$  can be achieved either through taxation, if the tax rate is chosen such that  $e_L(\tau) = \bar{e}$  is a solution to  $\max_e \Pi_L(e, \tau)$ , or through a performance standard  $\bar{e}$ .

is  $\Pi_C(e_L, F) = \Pi_L(e_L) - F$ . If the non-complying firm is not inspected then profits are simply  $\Pi_o(e_o)$ .

It holds that  $e_o > e_L \geq e_v$ , then our assumptions regarding the structure of costs and profits imply:

$$\Pi_o(e_o) > \Pi_v(e_v) > \Pi_L(e_L) > \Pi_C(e_L, F)$$

Since, in the case of non-participation in the agreement, the imposition of legislation is probabilistic, the expected profits of non-participating firms are :

$$\mathcal{E}\Pi_N = p\Pi_L(e_L) + (1-p)\Pi_N(e_o), \quad p = p(\Delta S, x, \omega_v) \quad (6)$$

Therefore a sufficient condition for participation in the VA is

$$\Pi_v(e_v) \geq p\Pi_L(e_L) + (1-p)\Pi_N(e_o) \quad (7)$$

Let  $q$  be the subjective probability that a participating firm will be inspected and let  $z$  be the proportion of participating firms that comply with the terms of the agreement. A firm's subjective probability of being audited can be defined in a general form by  $q(\omega)$ , where  $\omega$  is a vector of parameters. It is assumed that this function is common for all firms and can be further specified in the following cases.

In the first case the regulator exercises fixed monitoring effort and makes a fixed number of inspections, say  $\bar{n}$  per period. In doing so the regulator announces this policy and thus precommits to a certain auditing probability which is known by the polluters. In this case the audit probability is fixed, or<sup>22</sup>

$$q(\omega) \equiv \bar{q} \quad (8)$$

An alternative assumption would be that the regulator exercises variable monitoring effort, which depends on state variables of the problem that the regulator can observe.<sup>23</sup> One such variable is the deviations from the desired pollution stock  $\Delta S$ ; another variable is the share of violators  $u$  detected during an audit. The regulator increases the monitoring effort if the stock is declining or the share of violators is increasing. This policy can be regarded as a type of no full commitment - or partial commitment - auditing policy on the regulator's part. The regulator might, for example, not audit individual firms if the deviation  $\Delta S$  is sufficiently low, but the regulator might start inspecting if the deviation increases beyond a certain level.<sup>24</sup> The firms are made aware of the results of the inspections, say through public announcements and/or private

<sup>22</sup>This is a common assumption in the enforcement literature in environmental economics (e.g. Malik, 1993; Garvie and Keeler, 1994; Segerson and Miceli, 1998; Stranlund and Dhana, 1999).

<sup>23</sup>In the enforcement literature, variable monitoring effort is usually related to firm specific variables (e.g. Malik, 1990; VanEgteren and Weber, 1996).

<sup>24</sup>Grieson and Singh (1990), Khalil (1997), and Franckx (2002) analyze no commitment frameworks. Franckx relates individual auditing to the level of ambient pollution which is a global state variable. An environmental regulator chooses which firm to inspect without observing firms' actions but after observing ambient pollution.

communications, and perceive that if the deviation increases or the share of violators increases, more effort will be exercised and thus the subjective probability of being audited increases. In this case the probability  $q$  can be specified as stock dependent auditing probability:

$$q = q(\Delta S, \boldsymbol{\omega}_c), \quad q'(S, \boldsymbol{\omega}_c) > 0, \quad q(0, \boldsymbol{\omega}_c) = 0 \quad (9)$$

where  $\boldsymbol{\omega}_c$  is a vector of parameters similar to  $\boldsymbol{\omega}_v$ .

If the firms use the observed  $u$  as an estimate for their perceived  $z$ , that is they set  $u = z$ , a compliance dependent auditing probability is defined as:

$$q = q(z, \boldsymbol{\omega}_c), \quad q'(z, \boldsymbol{\omega}_c) < 0, \quad q(1, \boldsymbol{\omega}_c) = 0, \quad q(0, \boldsymbol{\omega}_c) > 0 \quad (10)$$

It is expected that the value of  $q(0)$  will be large but not unity since not every firm is audited even if nobody complies, while  $q(1) = 0$ , since if everybody is complying the subjective probability of paying the noncompliance fine (and facing the legislation) is zero.

If (9) and (10) are taken together, a more general formulation for the subjective auditing probability with joint dependence on compliance and stocks would be:

$$q = q(z, \Delta S, \boldsymbol{\omega}_c) \quad (11)$$

In this context the expected profits of a participating but non-complying firm are :

$$\mathcal{E}\Pi_N = q\Pi_C(e_L, F) + (1 - q)\Pi_N(e_o) \quad (12)$$

and the sufficient condition for complying with the agreement's provisions is:

$$\Pi_v(e_v) \geq q\Pi_C(e_L, F) + (1 - q)\Pi_N(e_o) \quad (13)$$

Given the above framework we explore how imitation and enforcement of behavior resulting in higher profits will determine which strategies (participate or not/comply or not) will survive in the long run. We model the selection dynamics that can be used to determine the ES strategies by replicator dynamics.

### 3 Replicator Dynamics

Assuming that at a given time  $t$  the industrial sector consists of two groups of firms, each group could follow two possible strategies concerning the offered public VA, participate or not. Let  $x(t)$  denote the proportion of firms participating in the agreement, while  $x_N(t)$  denotes the remaining proportion of non-signatory agents at time  $t$ , with  $x(t) + x_N(t) = 1$ .

In every time period  $dt$  there is a positive probability  $adt$  that a firm  $i$ , following a certain strategy, will compare its profits and consequently its strategy, with the corresponding profits and strategy of another randomly chosen firm  $j$ .<sup>25</sup>

<sup>25</sup>In motivating the replicator dynamics we follow Gindis (2000).

If firm  $i$  perceives that the other's profits are higher, then it switches its strategy to firms  $j$ 's strategy. There is imperfect information concerning the difference in the expected profits of the two strategies, since there is uncertainty in the subjective probability law determining the probability of legislation, and possible uncertainty regarding the true cost functions under the voluntary agreement or under regulation. In this context the higher the difference between profits is, the higher the probability is that firm  $i$  will perceive it and change strategy. Particularly, firm  $i$  that did not participate in the public VA in time  $t$ , might decide to switch strategy and finally sign the agreement if its expected profits  $\mathcal{E}\Pi_N$  without participation, defined by (6), are less than the corresponding profits  $\Pi_v(e_v)$  of the participating firm. Therefore, the probability that a non-participating firm will change its strategy and ultimately sign the public VA, after comparing profits, is given as:

$$P_{NV}^t = \begin{cases} \beta [\Pi_v(e_v) - p\Pi_L(e_L) - (1-p)\Pi_N(e_o)] & \text{for } \Pi_v(e_v) > \mathcal{E}\Pi_N \\ 0 & \text{for } \Pi_v(e_v) \leq \mathcal{E}\Pi_N \end{cases}$$

The expected proportion of firms that decides to participate in the voluntary public VA in time  $t + dt$  is given as:

$$\mathcal{E}x^{t+dt} = x^t + \alpha dt x^t \sum_{j=1}^n x_N \beta (\Pi_N(e_o) - \Pi_v(e_v))$$

or alternatively if we use the definition of the average profits:

$$\mathcal{E}x^{t+dt} = x^t + \alpha dt x^t \beta (\Pi_v(e_v) - \bar{\Pi}(e))$$

where  $\bar{\Pi}(e)$  is defined as the average profit for the whole population at time  $t$ :

$$\bar{\Pi}(e) = x\Pi_v(e_v) + (1-x)\mathcal{E}\Pi_N = x\Pi_v(e_v) + (1-x) [\Pi_N(e_o) - p(\Pi_N(e_o) - \Pi_L(e_L))]$$

It has been assumed that the population of firms in the industrial sector is large, thus we can replace  $\mathcal{E}x^{t+dt}$  by  $x^{t+dt}$ . Moreover, if we subtract from both sides the term  $x^t$ , divide by  $dt$  and finally take the limit as  $dt \rightarrow 0$ , we derive an equation that describes the behavior of the fraction  $x$  over time. This is the replicator dynamic equation:

$$\dot{x} = \alpha \beta x^t [\Pi_v(e_v) - \bar{\Pi}(e)]$$

Replicator dynamics indicates that the frequency of the signatory strategy increases exactly when its profits  $\Pi_v(e_v)$  are above the average profits  $\bar{\Pi}(e)$ . If we substitute the profit definitions and drop  $t$ , then the replicator dynamics equation is rewritten as follows:

$$\dot{x} = \alpha \beta x(1-x) [p(\Pi_N(e_o) - \Pi_L(e_L)) - (\Pi_N(e_o) - \Pi_v(e_v))] \quad (14)$$

However, it has already been mentioned that participation in the agreement does not imply that a firm will also comply with the agreement. We assume that

in choosing between compliance or not, firms imitate successful strategies as in the choice of the participation strategy defined above by collecting (incomplete) information regarding expected profits of non-complying firms. Let  $z(t)$  denote the proportion of firms complying with the agreement, while  $z_N(t)$  denotes the remaining proportion of non-complying firms at time  $t$ , with  $z(t) + z_N(t) = 1$ .

After following the same conceptual framework as above, the replicator dynamics equation for the compliance strategy is defined as:

$$\dot{z} = \gamma\delta z^t [\Pi_v(e_v) - \bar{\Pi}_{VN}(e)]$$

where  $\gamma$  and  $\delta$  correspond to  $\alpha$  and  $\beta$  above, and  $\bar{\Pi}_{VN}(e)$  is the average profits for the whole population of signatory firms defined as:

$$\bar{\Pi}_{VN}(e) = z\Pi_v(e_v) + (1-z)[q\Pi_C(e_L, F) + (1-q)\Pi_N(e_o)]$$

Then the specific form of the replicator dynamics equation for the complying strategy is defined as:

$$\dot{z} = \gamma\delta z(1-z)[q(\Pi_N(e_o) - \Pi_C(e_L, F)) - (\Pi_N(e_o) - \Pi_v(e_v))] \quad (15)$$

The evolution of the emission stock is affected by the decisions to participate in the agreement and further comply with its provisions and established goals. Therefore the pollution stock dynamic equation (1) can be further specified as:

$$\dot{S} = n\{x[ze_v + (1-z)(qe_L + (1-q)e_o)] + (1-x)e_o\} - \varphi(S) \quad (16)$$

## 4 Fast - Slow Selection Dynamics in the Evolution of Public Voluntary Agreements

The purpose of introducing different time scales in the replicator dynamics framework characterizing the evolution of voluntary agreements is to capture the fact, observed in real situations, that when a VA of the type analyzed here is offered, the composition regarding participation is finalized relatively fast. Since firms have to decide whether to accept the offer within a relatively small time interval determined by legislative procedures, we expect evolutionary pressures to work relatively fast. On the other hand compliance behavior is not constrained by a time framework so we expect evolutionary pressures to operate more slowly relative to the participation case. This implies that the rate of change of  $x$  with respect to time is “large” in absolute value, while the rate of change of  $z$  is relatively slower. That is,  $|\frac{dx}{dt}| \equiv |\dot{x}| \gg |\frac{dz}{dt}| \equiv |\dot{z}|$ .

The above argument implies that in (14) and (15) we can set  $\alpha\beta = 1$  and  $\gamma\delta = \varepsilon$  where  $\varepsilon$  is a small positive parameter. Assuming that the natural system evolves in a time scale which is comparable to the slow compliance variable, then our dynamic system can be written in a fast time scale as:

$$\frac{dx}{d\tau} = f_1(x, S) \quad (17)$$

$$\frac{dz}{d\tau} = \varepsilon f_2(z, S) \quad (18)$$

$$\frac{dS}{d\tau} = \varepsilon f_3(x, z, S) \quad (19)$$

where  $f_i$ ,  $i = 1, 2, 3$  represent the right hand sides of (14), (15) and (16) respectively. System (17)-(19) is the fast time system (FTS). If fast time is scaled such that  $\tau = t/\varepsilon$ , so that  $d\tau = dt/\varepsilon$  then the replicator dynamics system characterizing participation, compliance and pollution accumulation can be written in slow time as:

$$\varepsilon \dot{x} = f_1(x, S) \quad (20)$$

$$\dot{z} = f_2(z, S) \quad (21)$$

$$\dot{S} = f_3(x, z, S) \quad (22)$$

The problem defined in the dynamical system (20)-(22) is a *singular perturbation* problem.<sup>26</sup> The general method for analyzing it, is to consider the systems at the limit  $\varepsilon \rightarrow 0$ . If the solutions satisfy certain regularity conditions for  $\varepsilon = 0$ , then solutions for small  $\varepsilon$  can be approximated by the solutions for  $\varepsilon = 0$ . By taking  $\varepsilon = 0$  in system (20)-(22) we obtain the *reduced* system

$$0 = f_1(x, S) \quad (23)$$

$$\dot{z} = f_2(z, S) \quad (24)$$

$$\dot{S} = f_3(x, z, S) \quad (25)$$

In the reduced system equation (23) provides, if it can be solved for  $x$ , the equilibrium participation rate for fixed level of  $S$ , as

$$x = h(S) \quad (26)$$

The solutions of (26) are equilibria of the FTS (17)-(19) defined for  $\varepsilon \rightarrow 0$  as:

$$\frac{dx}{d\tau} = f_1(x, S)$$

$$\frac{dz}{d\tau} = 0$$

$$\frac{dS}{d\tau} = 0$$

The equilibria of the FTS are denoted by  $h_j(S)$ ,  $j = 1, \dots, J$ , where  $J$  is the number of these equilibria. For the stable equilibria from the set of equilibria

---

<sup>26</sup>For the analysis of problems in a fast-slow time framework see, for example, Wasow (1965, Chapter X) or Sastry (1999, Chapter 6).

of (26), the slow variables evolve as:

$$\dot{z} = f_2(z, S) \quad (27)$$

$$\dot{S} = f_3(h(S), z, S) \quad (28)$$

The analysis of the dynamic system (27) and (28) can be used to determine the long-run ES compliance and pollution stock  $(z^*, S^*)$ . Then the long-run ES participation in the VA will be determined as  $h(z^*, S^*)$ .<sup>27</sup>

## 5 Long-Run Structures of a Public VA

The conceptual framework developed above is used to determine the long-run structure regarding participation in and compliance with a public VA. Since the long-run structure is determined as a stable equilibrium of the replicator dynamics equation, it has the property of evolutionary stability.<sup>28</sup> To illustrate the importance of the legislation and auditing probabilities in determining these long-run structures, we classify the following analysis according to the characteristics of these probabilities.

### 5.1 Pollution Stock Dependent Legislation Probability

Assume that the subjective probability of introducing legislation depends only on the deviation from the targeted emission stock level, defined as  $\Delta S$ . Then in the fast time system the observed emission stock  $S$  and the deviation from the target  $\Delta S$ , are both fixed and anticipated as parameters. As a consequence the legislation probability is fixed, implying that  $p = p(\overline{\Delta S})$ . Under this definition the slow time dynamic system (23)-(25) is defined as:

$$0 = x(1-x) [p(\overline{\Delta S})(\Pi_N(e_o) - \Pi_L(e_L)) - (\Pi_N(e_o) - \Pi_v(e_v))] \quad (29)$$

$$\dot{z} = z(1-z) [q(\Pi_N(e_o) - \Pi_C(e_L, F)) - (\Pi_N(e_o) - \Pi_v(e_v))] \quad (30)$$

$$\dot{S} = n\{x[ze_v + (1-z)(qe_L + (1-q)e_o)] + (1-x)e_o\} - \varphi(S) \quad (31)$$

The solution of the replicator dynamics equation (29) provides the long-term equilibrium participation rates  $x^*$ , for fixed level of observed emission stock  $S$ . Two steady states exist,  $x_1^* = 1$  and  $x_2^* = 0$ , implying either full or non-participation in the public VA.

The stability condition is obtained by taking the derivative of (29) with respect to  $x$ , or:

---

<sup>27</sup>In more technical terminology the dynamic system (27) and (28) is defined on the stable two-dimensional manifold (or union of)  $M = \left\{ (z, S, x) : g(x, z, S) = 0 : x_j^F(z, S) \right\}$  is stable in FTS

Solutions of the slow system (20)-(22) at least locally are attracted to this manifold.

<sup>28</sup>Formally a strategy  $\hat{x}$  is an evolutionary stable strategy if it is a strongly stable equilibrium point of the replicator dynamics equation. Strong stability means that if  $\hat{x}$  is contained in a convex hull of the strategy simplex, all strategies in the neighborhood of  $\hat{x}$  converge to  $\hat{x}$ . (See, for example, Hofbauer and Sigmund (2003).)

$$\frac{d\dot{x}}{dx} = (1 - 2x)\Omega \quad (32)$$

where  $\Omega = [p(\overline{\Delta S})(\Pi_N(e_o) - \Pi_L(e_L)) - (\Pi_N(e_o) - \Pi_v(e_v))]$ . There is a critical probability value, defined as  $\hat{p}(\Delta S)$ , that sets  $\Omega$  equal to zero and behaves as a bifurcation parameter.<sup>29</sup> It can easily be seen that the sign of the expression  $\Omega$ , and therefore the stability of the steady states, depend on the magnitude of the fixed legislative probability  $p(\overline{\Delta S})$  relative to the critical probability value  $\hat{p}(\Delta S)$ . Specifically, if the regulator can announce and commit to a legislative probability higher than the critical value, then  $\Omega > 0$ . On the other hand, if the probability  $p(\overline{\Delta S})$  is lower than the critical value, then  $\Omega < 0$ .

Under this definition it follows that:

$$\begin{aligned} \text{If } p(\overline{\Delta S}) > \hat{p}(\Delta S) \text{ then } \frac{d\dot{x}}{dx} \Big|_{x_1^*=1} < 0 \text{ and } \frac{d\dot{x}}{dx} \Big|_{x_2^*=0} > 0 \\ \text{If } p(\overline{\Delta S}) < \hat{p}(\Delta S) \text{ then } \frac{d\dot{x}}{dx} \Big|_{x_1^*=1} > 0 \text{ and } \frac{d\dot{x}}{dx} \Big|_{x_2^*=0} < 0 \end{aligned}$$

In the first case, firms perceive that the implementation of the legislation mandate is highly likely. Therefore firms prefer the profit loss  $\Pi_N(e_o) - \Pi_v(e_v)$  under the public VA, to the higher profit losses  $\Pi_N(e_o) - \Pi_L(e_L)$  which will be realized if legislation is finally imposed. Consequently, all firms participate in the public VA and  $x_1^* = 1$  is stable, while  $x_2^* = 0$  is unstable. Furthermore the ambient pollution stock is equal to the industrial emission target  $E_v$ . In the second case, the legislation mandate appears less likely and firms can maintain the unregulated profits  $\Pi_N(e_o)$ . Therefore no firm has the incentive to participate in the public VA and receive reduced profits by  $\Pi_N(e_o) - \Pi_v(e_v)$  so  $x_2^* = 0$  is stable.

These findings can be summarized in the following proposition:

**Proposition 1** *Under an emission stock dependent legislative probability the fast time dynamic system converges to a monomorphic equilibrium. If  $p(\overline{\Delta S}) \in (\hat{p}(\Delta S), 1]$ , then there is full participation in the public VA and  $x_1^* = 1$  is the ES equilibrium. If  $p(\overline{\Delta S}) \in [0, \hat{p}(\Delta S))$ , then there is non-participation in the public VA and  $x_2^* = 0$  is the ES equilibrium.*

Furthermore the total derivative of  $\Omega = 0$  defines the relationship between the critical legislation probability value  $\hat{p}(\Delta S)$  and the legislative emissions  $e_L$ <sup>30</sup> and we obtain:

$$\frac{d\hat{p}(\Delta S)}{de_L} = \frac{\hat{p}(\Delta S)\Pi'_L(e_L)}{\Pi_N(e_o) - \Pi_L(e_L)} < 0 \quad (33)$$

It is obvious that the higher the  $e_L$  is, the lower the critical probability value  $\hat{p}(\Delta S)$  is. Therefore the regulator can achieve full participation in the

<sup>29</sup>  $\hat{p}(\Delta S)$  is defined as  $\hat{p}(\Delta S) = \frac{\Pi_N(e_o) - \Pi_v(e_v)}{\Pi_N(e_o) - \Pi_L(e_L)} < 1$ , since  $\Pi_N(e_o) - \Pi_v(e_v) < \Pi_N(e_o) - \Pi_L(e_L)$ .

<sup>30</sup> As noted above, a target  $e_L$  can be attained either through emissions taxes, tradable emission permits or emission limits. From our assumptions about the industrial model it follows that  $\Pi'_L(e_L) < 0$ .



environmental agreement by commitment to a given  $e_L$ , instead of commitment to a legislation probability.

At this point we assume for simplicity that the regulator has set  $p(\overline{\Delta S}) > \hat{p}(\Delta S)$  and therefore the full participation steady state  $x_1^* = 1$  is ES in the fast time.<sup>31</sup> This steady state of the fast time dynamic system (29) is substituted in the slow time dynamic system, from which the long-term compliance and emission stock critical points are determined.

$$\dot{z} = z(1-z)[q(\Pi_N(e_o) - \Pi_C(e_L, F)) - (\Pi_N(e_o) - \Pi_v(e_v))] \quad (34)$$

$$\dot{S} = n\{ze_v + (1-z)(qe_L + (1-q)e_o)\} - \varphi(S) \quad (35)$$

The system has a hierarchical structure, implying that the stable equilibria of the replicator dynamics (34) can be determined first and then used to determine the pollution stock equilibria of equation (35). In order to more clearly determine the steady state pollution stock, (35) can be further specified by assuming that the emissions outflows term is linear, implying that  $\varphi(S) = bS$  with  $b > 0$ .

Under this definition the emissions stock dynamic isocline  $\dot{S} = 0$  is a linear equation defined as:

$$\begin{aligned} z(S) &= \frac{bS}{n\{e_v - [qe_L + (1-q)e_o]\}} - \frac{\{qe_L + (1-q)e_o\}}{\{e_v - [qe_L + (1-q)e_o]\}} \\ &= AS - B, \quad A < 0, \quad B < 0 \end{aligned}$$

However the auditing probability  $q$  can either be fixed  $\bar{q}$  or dependent on the state variables of the problem, that is, the deviations from the desired pollution stock  $\Delta S$  and the share of non-complying firms. Therefore it is interesting to examine how these alternative assumptions about the auditing probability affect the resulting equilibrium compliance and pollution stock.

### 5.1.1 Case 1: Fixed Auditing Probability

Assume that the regulator is committed to a fixed auditing probability. Participating firms know exactly the probability  $\bar{q}$  under which they may experience profit losses  $\Pi_N(e_o) - \Pi_C(e_L, F)$ , if caught violating the agreement's provisions by the regulator. Based on this knowledge they define their evolutionary strategy of whether or not to comply with the agreement.

Under this assumption the slow time dynamic system (34) and (35) becomes:

$$\dot{z} = z(1-z)[\bar{q}(\Pi_N(e_o) - \Pi_C(e_L, F)) - (\Pi_N(e_o) - \Pi_v(e_v))] \quad (36)$$

$$\dot{S} = n\{ze_v + (1-z)(\bar{q}e_L + (1-\bar{q})e_o)\} - bS \quad (37)$$

In this case there are two steady-states, satisfying the equilibrium condition  $\dot{z} = 0$ . The equilibrium outcome is always monomorphic, implying either full

<sup>31</sup>It makes no sense to examine the slow time dynamic system when  $x_2^* = 0$ , since non-participating firms are not expected to do "self-regulation".

compliance  $z_1^* = 1$  or non-compliance  $z_2^* = 0$  with the agreement. These steady states corresponds to two parallel isocline. The stability condition that defines the prevailing evolutionary sustainable equilibrium is:

$$\frac{d\dot{z}}{dz} = (1 - 2z)\Phi \quad (38)$$

where  $\Phi = [\bar{q}(\Pi_N(e_o) - \Pi_C(e_L, F)) - (\Pi_N(e_o) - \Pi_v(e_v))]$ . There is a critical probability value  $\hat{\bar{q}}$  that sets  $\Phi = 0$ . In particular, if  $\bar{q} > \hat{\bar{q}}$  then  $\Phi > 0$  and if  $\bar{q} < \hat{\bar{q}}$  then  $\Phi < 0$ . Thus the stability conditions becomes:

$$\begin{aligned} \text{If } \bar{q} > \hat{\bar{q}} \text{ then } \frac{d\dot{z}}{dz} |_{z_1^*=1} < 0 \text{ and } \frac{d\dot{z}}{dz} |_{z_2^*=0} > 0 \\ \text{If } \bar{q} < \hat{\bar{q}} \text{ then } \frac{d\dot{z}}{dz} |_{z_1^*=1} > 0 \text{ and } \frac{d\dot{z}}{dz} |_{z_2^*=0} < 0 \end{aligned}$$

If  $\bar{q} > \hat{\bar{q}}$  then full compliance is the ES outcome, while if  $\bar{q} < \hat{\bar{q}}$  then no compliance is the ES strategy. The  $\dot{S} = 0$  isocline defines the corresponding pollution stock equilibrium. Thus, if  $z_1^* = 1$  then  $S_1^* = \frac{ne_v}{b}$ , which is a target pollution stock level, while if  $z_2^* = 0$  is then  $S_2^* = \frac{n\{\bar{q}e_L + (1-\bar{q})e_o\}}{b} > S_1^*$

The above conclusions can be summarized in the following proposition:

**Proposition 2** *Under a fixed auditing probability the slow time dynamic system converges to a monomorphic equilibrium. If  $\bar{q} \in (\hat{\bar{q}}, 1)$  then there is full compliance with the public VA and  $z_1^* = 1$  is the ES equilibrium. If  $\bar{q} \in [0, \hat{\bar{q}})$  then there is non-compliance in the public VA and  $z_2^* = 0$  is the ES equilibrium.*

By taking the total derivative of  $\Phi = 0$  we obtain the relationship that connects the critical auditing probability value  $\hat{\bar{q}}$  and the non-compliance fine  $F$ . It follows that:

$$\frac{d\hat{\bar{q}}}{dF} = \frac{\hat{\bar{q}}\Pi'_C(e_L, F)}{\Pi_N(e_o) - \Pi_C(e_L, F)} < 0 \quad (39)$$

It is evident that the higher the non-compliance fine is, the lower the critical probability value  $\hat{\bar{q}}$  is. This shoes that a lower number of random inspections may induce participating firms to comply with the agreement when fines are high. Therefore the regulator can achieve full compliance and the established industrial environmental goal  $E_v$  with less monitoring effort.

### 5.1.2 Case 2: Compliance Dependent Auditing Probability

Under the assumption that the auditing probability is dependent on the fraction of complying participating firms, the slow time dynamic system (34) and (35) becomes:

$$\dot{z} = z(1 - z) [q(z)(\Pi_N(e_o) - \Pi_C(e_L, F)) - (\Pi_N(e_o) - \Pi_v(e_v))] \quad (40)$$

$$\dot{S} = n\{ze_v + (1 - z)(q(z)e_L + (1 - q(z))e_o)\} - bS \quad (41)$$

It can easily be seen that the equilibria of compliance replicator dynamics (40) are  $z_1^* = 1$  and  $z_2^* = 0$ . Nevertheless, there could be an additional critical point, defined as  $z_3^* : q(z_3^*)(\Pi_N - \Pi_C) - (\Pi_N - \Pi_v)$ ,  $z_3^* \in (0, 1)$ , that also satisfies the equilibrium condition  $\dot{z} = 0$ .

In this case the stability condition that determines the equilibrium type of each steady state, is defined as:

$$\frac{d\dot{z}}{dz} = (1 - 2z)\Phi + z(1 - z) q'(z) (\Pi_N(e_o) - \Pi_C(e_L, F)) \quad (42)$$

where  $\Phi = [q(z)(\Pi_N(e_o) - \Pi_C(e_L, F)) - (\Pi_N(e_o) - \Pi_v(e_v))]$ . There is a critical probability value  $\hat{q}(z_3^*)$ , which corresponds to the steady state  $z_3^*$  and sets  $\Phi$  equal to zero. It is evident that if the initial compliance fraction  $z$  is lower than the critical proportion  $z_3^*$ , then due to condition (10) the existing auditing probability is higher than  $\hat{q}(z_3^*)$  and  $\Phi > 0$ . On the other hand, if  $z > z_3^*$  then  $q(z) < \hat{q}(z_3^*)$  and  $\Phi < 0$ . The sign of the expression  $\Phi$  affects the stability of the steady states and in particular, it can be seen that the slow time dynamic system can not converge to a monomorphic equilibrium since:

$$\frac{d\dot{z}}{dz} \Big|_{z_1^*=1} = -\Phi > 0 \text{ and } \frac{d\dot{z}}{dz} \Big|_{z_2^*=0} = \Phi > 0$$

Therefore it is clear that the ES equilibrium does not correspond to full compliance or non-compliance with the public VA. If there is full compliance then condition (10) holds and the regulator may respond to this with a reduced or even zero number of random inspections. This gives participating firms a financial incentive to violate the agreement. On the other hand, in the case of no compliance the value of  $q(0)$  is sufficiently high, making the profit losses at the level  $\Pi_N(e_o) - \Pi_C(e_L, F)$  highly likely. This gives non-participating firms a financial incentive to comply with the agreement's provisions, since the  $\Pi_N(e_o) - \Pi_v(e_v)$  profit losses are preferable to the profit losses under the legislation and the non-compliance fine. Thus, the slow time dynamic system converges to a polymorphic stable equilibrium, implying that only a sub-group of participating firms complies with the public VA, since:

$$\frac{d\dot{z}}{dz} \Big|_{z_3^*} = z_3^*(1 - z_3^*) q'(z_3^*) (\Pi_N(e_o) - \Pi_C(e_L, F)) < 0$$

It is noticeable that the stability of the particular steady state  $z_3^*$  is independent of the existing auditing probability value. This implies that the initial distribution of complying firms does not affect the equilibrium outcome and thus partial compliance is the ES outcome, with an equilibrium pollution stock level  $S_3^* = \frac{n\{z_3^*e_v + (1-z_3^*)[q(z_3^*)e_L + (1-q(z_3^*))e_o]\}}{b}$ .

Therefore, in this case the following proposition holds:

**Proposition 3** *Under a compliance dependent auditing probability, partial compliance to the public VA is the ES outcome.*

Finally, after taking the total derivative of  $\Phi$ , the relationship between the compliance fraction  $z$  and the noncompliance fine  $F$  is obtained as:

$$\frac{dz}{dF} = -\frac{q(z)}{q'(z)(\Pi_N(e_o) - \Pi_C(e_L, F))} > 0 \quad (43)$$

The higher the fine for non-compliance is, the higher the  $\Pi_N(e_o) - \Pi_C(e_L, F)$  profit losses are for violators. Therefore under the threat of a higher fine, participating firms have a financial incentive to comply with the regulator and fulfill the individual environmental target  $e_v$ . Consequently an increased non compliance fine, increases the equilibrium compliance proportion and shifts the polymorphic steady state upwards, closer to the full compliance critical point. It is evident that the higher the fine is, the more participating firms comply with the public VA. So under the appropriate adjustments of the fine, compliance in the left side neighborhood of  $z_1^* = 1$  is an ES outcome.

### 5.1.3 Case 3: Emission Stock Dependent Auditing Probability

Assume that the auditing probability depends on the deviation from the established environmental goal. It is important to mention that the observed emission stock is no longer fixed in the slow time. In this case the slow time dynamic system is defined as:

$$\dot{z} = z(1-z)[q(\Delta S)(\Pi_N(e_o) - \Pi_C(e_L, F)) - (\Pi_N(e_o) - \Pi_v(e_v))] \quad (44)$$

$$\dot{S} = n\{ze_v + (1-z)(q(\Delta S)e_L + (1-q(\Delta S))e_o)\} - bS \quad (45)$$

The compliance replicator dynamics equation (44) has two equilibria, defined as  $z_1^* = 1$  and  $z_2^* = 0$ . Moreover, the equilibrium condition  $\dot{z} = 0$  is further satisfied by a critical emission stock level  $\hat{S}$ , with corresponding probability value  $\hat{q}(\Delta S)$  which sets  $\Omega = [q(\Delta S)(\Pi_N(e_o) - \Pi_C(e_L, F)) - (\Pi_N(e_o) - \Pi_v(e_v))]$  equal to zero. From condition (9), it is evident that  $\Phi > 0$  if  $q(\Delta S) > \hat{q}(\Delta S)$  and  $\Phi < 0$  if  $q(\Delta S) < \hat{q}(\Delta S)$ . Thus the stability condition is:

$$\frac{d\dot{z}}{dz} = (1-2z)\Phi \quad (46)$$

However, in slow time the deviation  $\Delta S$  is no longer fixed. It can be easily seen that the type of the prevailing equilibrium depends on the existing relationship between the critical emission stock level  $\hat{S}$ , the full compliance emission stock level  $S_1^*$  and/or the non-compliance stock level  $S_2^*$ .

Assume that the critical emission stock level  $\hat{S}$  lies beneath both the full compliance emission stock level  $S_1^*$  and non-compliance stock level  $S_2^*$ . This implies that  $\hat{q}(\Delta S) < q_1(\Delta S) < q_2(\Delta S)$  and thus  $\Phi > 0$ . In this case (46) implies that:

$$\text{if } \hat{S} < S_1^* < S_2^* \text{ then } \frac{d\dot{z}}{dz} \Big|_{z_1^*=1} < 0 \text{ and } \frac{d\dot{z}}{dz} \Big|_{z_2^*=0} > 0$$

Thus, the ES equilibrium is monomorphic with full compliance  $z_1^* = 1$ , and equilibrium pollution stock  $S_1^* = \frac{ne_v}{b}$  (See figure 1a).

Assume that the critical emission level lies between the full and non-compliance emission stock level. This implies that  $q_1(\Delta S) < \hat{q}(\Delta S)$  with  $\Phi < 0$  and  $\hat{q}(\Delta S) < q_2(\Delta S)$  with  $\Phi > 0$ . In this case (46) implies that:

$$\text{if } S_1^* > \hat{S} > S_2^* \text{ then } \frac{d\dot{z}}{dz} \Big|_{z_1^*=1} > 0 \text{ and } \frac{d\dot{z}}{dz} \Big|_{z_2^*=0} > 0$$

Thus, the full compliance and non-compliance critical points are both unstable in the long run, implying that the ES equilibrium can not be monomorphic. Nevertheless the slow time dynamic system has an additional steady state, defined as  $z_3^*$ , indicating a potential polymorphic equilibrium. To characterize the equilibrium type of this steady state we define the Jacobian (linearization) matrix  $J$  around this point:

$$J = \begin{bmatrix} 0 & z(1-z)q'(\Delta S)(\Pi_N(e_o) - \Pi_C(e_L, F)) \\ n\{e_v - (q(\Delta S)e_L + (1-q(\Delta S))e_o)\} & n(1-z)q'(\Delta S)(e_L - e_o) \end{bmatrix}$$

For  $J$  the trace  $Tr(J) < 0$  while the determinant  $Det(J) > 0$  is positively defined, since we have  $\frac{d\hat{S}}{dz}, \frac{d\hat{S}}{dS} < 0$  and  $\frac{d\dot{z}}{dS} > 0$ . However, the discriminant  $\Delta = [Tr(J)]^2 - 4Det(J)$  can be positive, negative or even zero. Consequently the equilibrium in the partial compliance critical point  $z_3^*$  can be a stable focus, a stable proper node or even a stable improper node. Qualitative analysis of the phase diagram in Figure 1b suggests that  $z_3^*$  is a stable focus.

Therefore in this case compliance and the pollution stock fluctuate with the pollution stock converging to  $S_3^* = \frac{n\{z_3^*e_v + (1-z_3^*)[q(\Delta S)e_L + (1-q(\Delta S))e_o]\}}{b}$ .

Assume that the full compliance emission stock level  $S_1^*$  and non-compliance stock level  $S_2^*$  lie beneath the critical emission level. This implies that  $\hat{q}(\Delta S) > q_1(\Delta S) > q_2(\Delta S)$  and thus  $\Phi < 0$ . In this case (46) implies that:

$$\text{If } \hat{S} > S_1^* > S_2^* \text{ then } \frac{d\dot{z}}{dz} \Big|_{z_1^*=1} > 0 \text{ and } \frac{d\dot{z}}{dz} \Big|_{z_2^*=0} < 0$$

Thus, the ES equilibrium is monomorphic with no compliance  $z_2^* = 0$  and equilibrium pollution stock  $S_2^* = \frac{n\{q(\Delta S)e_L + (1-q(\Delta S))e_o\}}{b}$  (See figure 1a).

[Figure 1]

We summarize in the following proposition.

**Proposition 4** *Under an emission stock dependent auditing probability the slow time dynamic system can converge to either a polymorphic or monomorphic compliance equilibrium. If  $\hat{S} < S_1^* < S_2^*$  then there is full compliance and  $z_1^* = 1$  is the ES equilibrium. If  $S_1^* > \hat{S} > S_2^*$  then there is partial compliance and  $z_3^* \in (0, 1)$  is the ES equilibrium with fluctuation approach dynamics. If  $\hat{S} > S_1^* > S_2^*$  then there is no compliance and  $z_2^* = 0$  is the ES equilibrium.*

Furthermore since

$$\frac{dS}{dF} = -\frac{q(\Delta S)}{q'(\Delta S)(\Pi_N(e_o) - \Pi_C(e_L, F))} < 0 \quad (47)$$

the critical emission stock level declines with the level of the fine and the vertical isocline moves closer to the full compliance emission stock level in figure 1b. Moreover the polymorphic equilibrium point moves closer to the monomorphic steady state point A, implying that with the proper design of the non-compliance fine the regulator can induce a larger share of participating firms to comply.

#### 5.1.4 Case 4: Joint Dependence of Auditing Probability on Compliance Level and Pollution Stock

Assume that the auditing probability depends jointly on the observed emission stock level and the proportion of complying firms. Under this assumption the slow time dynamic system (34) and (35) becomes:

$$\dot{z} = z(1-z)[q(\Delta S, z)(\Pi_N(e_o) - \Pi_C(e_L, F)) - (\Pi_N(e_o) - \Pi_v(e_v))] \quad (48)$$

$$\dot{S} = n\{ze_v + (1-z)(q(\Delta S, z)e_L + (1-q(\Delta S, z))e_o)\} - bS \quad (49)$$

As before the compliance replicator dynamics equation (44) has two equilibria, defined as  $z_1^* = 1$  and  $z_2^* = 0$ . There could exist however a third  $\dot{z} = 0$  isocline defined as:

$$z = l(S) : \Phi = [q(\Delta S, z)(\Pi_N(e_o) - \Pi_C(e_L, F)) - (\Pi_N(e_o) - \Pi_v(e_v))] = 0$$

The corresponding probabilities  $\hat{q}(\Delta S, z)$  of the  $(z, S)$  combinations lying along this isocline satisfy the equality  $\Phi = 0$ . Therefore every other combination outside the isocline switches the sign of the expression  $\Phi$ . Particularly, each combination located on the right of the isocline gives  $\Phi > 0$  since  $q(\Delta S, z) > \hat{q}(\Delta S, z)$ , while combinations located on the left give  $\Phi < 0$  since  $q(\Delta S, z) < \hat{q}(\Delta S, z)$ .

In this case the stability condition is defined as:

$$\frac{d\dot{z}}{dz} = (1-2z)\Phi + z(1-z)q'(\Delta S, z)(\Pi_N(e_o) - \Pi_C(e_L, F)) \quad (50)$$

While the replicator dynamics equilibria  $z_1^* = 1$  and  $z_2^* = 0$  correspond to two parallel isoclines respectively, the isocline of the additional critical point  $z_3^*$  corresponding to  $z = l(S)$  has a positive slope (see figure 2) since:

$$\frac{dz}{dS} = -\frac{\partial q(\Delta S, z)/\partial S}{\partial q(\Delta S, z)/\partial z} > 0$$

The partial derivatives reflect the firms' beliefs about the variability of the auditing probability's value due to changes in the levels of the state variables. For example, if polluting firms give high significance to increases in the observed emission stock level, then both the probability value and the relative partial derivative are expected to be high and vice versa.

Assume that the firms perceive that the auditing probability's value is more sensitive to compliance proportion changes, or alternatively that it is less sensitive to emission stock changes. In this case the isocline is flatter and cuts the emission stock dynamic isocline at a critical point located on the right of the full compliance steady state in figure 2b.

[Figure 2]

On the left of the isocline  $\Phi < 0$ , giving  $\frac{dz}{dz} > 0$  for  $z_1^* = 1$ , while on the right of the isocline  $\Phi > 0$ , giving  $\frac{dz}{dz} > 0$  for  $z_2^* = 0$ . As a consequence neither the full nor the non-compliance critical points are stable. In this case the ES equilibrium is the polymorphic critical point, equilibrium pollution stock level  $S_3^* = \frac{n\{z_3^*e_v + (1-z_3^*)[q(\Delta S, z)e_L + (1-q(\Delta S, z))e_o]\}}{b}$  and partial compliance  $z_3^* \in (0, 1)$ .

Assume that participating firms perceive that the auditing probability's value is more sensitive to emission stock changes, or alternatively that it is less sensitive to compliance proportion changes. In this case the isocline  $z(S)$  is steeper and cuts the emission stock dynamic isocline at a critical point located on the left of the full compliance steady state (figure 2a), which is an unfeasible area of combinations since it lies above the  $z_1^* = 1$  isocline. Consequently this critical point  $C$ , is not feasible. It is evident that on the right of the  $z(S)$  isocline the corresponding probability values are higher than the critical values  $\hat{q}(\Delta S, z)$ , giving  $\Phi < 0$ , thus full compliance or  $z_1^* = 1$  is the ES equilibrium.<sup>32</sup>

We summarize in following proposition:

**Proposition 5** *Under an auditing probability with joint dependence on compliance levels and pollution stock, the slow time dynamic system can converge either to a polymorphic or monomorphic equilibrium. The type of the prevailing ES equilibrium depends mainly on the slope and position of the  $z = \phi(S)$  isocline. The flatter the isocline is, the more likely it is that the ES equilibrium implies partial compliance. The more steeper the isocline is the more likely it is that ES equilibrium implies full compliance.*

Finally, the equilibrium outcome can be further affected through the value of the non-compliance fine, since it determines the position of the isocline  $z(S)$ . It has already been mentioned that the higher the non-compliance fine is, the more participating firms tend to comply with the agreement and control their emission production. Consequently the regulator can shift the isocline upwards, bringing the polymorphic equilibrium point closer to the monomorphic steady state, through the announcement of a sufficiently higher fine  $F$ . Therefore, it is logical to expect that under the proper design the slow time dynamic system can eventually converge to the full compliance critical point.

<sup>32</sup>It should be noted that if participating firms perceive that changes in the observed emission stock level can not affect the auditing probability value, then the partial derivative  $\partial q(\Delta S, z)/\partial S$  is zero. Thus the auditing probability depends only on the proportion of complying firms and the isocline is parallel to the horizontal axis as in case 2. If participating firms perceive that the auditing probability value is not affected by changes in the compliance fraction, then the partial derivative  $\partial q(\Delta S, z)/\partial z$  is zero. The auditing probability depends only on the observed emission stock and the isocline is vertical to the horizontal axis as in case 3.

## 6 Joint Dependence of Legislation Probability on Pollution Stock and Participation in the Public VA

Assume that the subjective probability of introducing legislation depends jointly on the deviation from the targeted emission stock level  $\Delta S$  and the participation proportion  $x$ . This implies that  $p = p(\Delta S, x)$ . Under this assumption the slow time dynamic system (23)-(25) is defined as:

$$0 = x(1-x)[p(\Delta S, x)(\Pi_N(e_o) - \Pi_L(e_L)) - (\Pi_N(e_o) - \Pi_v(e_v))] \quad (51)$$

$$\dot{z} = z(1-z)[q(\Pi_N(e_o) - \Pi_C(e_L, F)) - (\Pi_N(e_o) - \Pi_v(e_v))] \quad (52)$$

$$\dot{S} = n\{x(\Delta S)[ze_v + (1-z)(qe_L + (1-q)e_o)] + (1-x(\Delta S))e_o\} - bS \quad (53)$$

The fast time dynamic equation (51) has three equilibria: the two critical points,  $x_1^* = 1$  and  $x_2^* = 0$ , and the third critical point  $x_3^*(\Delta S) \in (0, 1)$ , which sets  $\Omega = [p(\Delta S, x)(\Pi_N(e_o) - \Pi_L(e_L)) - (\Pi_N(e_o) - \Pi_v(e_v))]$  equal to zero, implies partial participation and depends on the deviation  $\Delta S$ . The stability condition for these equilibria is:

$$\frac{d\dot{x}}{dx} = (1-2x)\Omega + x(1-x)p'(\Delta S, x)(\Pi_N(e_o) - \Pi_L(e_L)) \quad (54)$$

It can easily be seen that if the probability value is equal to the critical value  $\hat{p}(\Delta S, x)$  then  $\Omega$  is set equal to zero. Therefore the magnitude of the legislative probability  $p(\Delta S, x)$  compared to the critical probability value  $\hat{p}(\Delta S, x)$  affects the sign of the  $\Omega$  and the stability of the steady states. Obviously, if the legislative probability is higher than the critical value, then  $\Omega > 0$ . On the other hand, if the probability  $p(\Delta S, x)$  is lower than the critical value, then  $\Omega < 0$ . Under this definition it follows that:

$$\left. \frac{d\dot{x}}{dx} \right|_{x_1^*=1}, \left. \frac{d\dot{x}}{dx} \right|_{x_2^*=0} > 0 \text{ and } \left. \frac{d\dot{x}}{dx} \right|_{x_3^*} < 0$$

In this case the ES equilibrium indicates that there is partial participation in the environmental public VA. This happens because, in the case of full participation the condition  $p(\Delta S, 1 | \Delta S > 0) = 0$  holds, giving polluting firms a financial incentive not to participate in the agreement. On the other hand, in the case of non-participation, we have  $p(\Delta S > 0, 0) = 1$ , thus profit losses equal to  $\Pi_N(e_o) - \Pi_L(e_L)$  are certain, thus giving polluting firms a financial incentive to participate in the agreement's provisions since the  $\Pi_N(e_o) - \Pi_v(e_v)$  profit losses are preferable. Obviously, the particular fast time dynamic system converges to a polymorphic stable equilibrium  $x_3^*$ , implying that only a sub-group of individual polluting firms participate in the public VA in the long-run.

These findings can be summarized in the following proposition:



**Proposition 6** *Under a legislative probability that depends jointly on participation proportion and pollution stock the fast time dynamic system converges to a polymorphic equilibrium, implying partial participation  $x_3^*$  to the public VA.*

After taking the total derivative of  $\Omega$  with respect to the participation fraction  $x$  and the legislative emissions  $e_L$ , we obtain:

$$\frac{dx}{de_L} = \frac{p(\Delta S, x)\Pi'_L(e_L)}{p'(\Delta S, x)(\Pi_N(e_o) - \Pi_L(e_L))} > 0 \quad (55)$$

Obviously, the higher the legislative emissions  $e_L$  are, the higher the  $\Pi_N(e_o) - \Pi_L(e_L)$  profit losses are for polluting firms that decide not to participate. Therefore under the threat of a higher tax rate  $\tau$  or stricter emissions limit  $\bar{e}$ , individual firms have a financial incentive to participate in the public VA and the participation fraction increases. It can be seen that an increase in the legislative emissions  $e_L$ , shifts the polymorphic  $x_3^*$  steady state upwards, closer to the full participation critical point,  $x_1^* = 1$ . Therefore through proper design of the legislation mandate the regulator can induce the majority of polluting firms to participate in the agreement.

To analyze compliance and evolution of the pollution stock we analyze the slow time reduced system by substituting the stable critical point  $x_3^*(\Delta S)$  of the fast time system. In this case the slow time dynamic system is defined as:

$$\begin{aligned} \dot{z} &= z(1-z)[q(\Pi_N(e_o) - \Pi_C(e_L, F)) - (\Pi_N(e_o) - \Pi_v(e_v))] & (56) \\ \dot{S} &= n\{x_3^*(\Delta S)[ze_v + (1-z)(qe_L + (1-q)e_o)] + (1-x_3^*(\Delta S))e_o\} - bS & (57) \end{aligned}$$

Under the assumption of a legislation probability jointly dependent on emission stock and participation proportion, the emissions stock dynamic isocline  $z = k(S) : \dot{S} = 0$  corresponds to a non-linear curve (see Figure 3) defined as:

$$\begin{aligned} k(S) = A(S)S - B(S) &= \frac{bS}{nx_3^*(\Delta S)\{e_v - [qe_L + (1-q)e_o]\}} \\ &- \frac{x_3^*(\Delta S)\{qe_L + (1-q)e_o\} + (1-x_3^*(\Delta S))e_o}{x_3^*(\Delta S)\{e_v - [qe_L + (1-q)e_o]\}} \end{aligned}$$

As previously the equilibrium solution  $(z^*, S^*)$  of the slow time dynamic system is highly dependent on the structure of the auditing probability  $q$ , which can either be fixed  $\bar{q}$  or dependent on the state variables of the problem. Based on the same conceptual framework developed in the previous section we conclude that:

**Proposition 7** *Under a participation dependent legislation probability and a fixed or state variables dependent auditing probability, the ES equilibrium implies partial participation in the public VA and full, non or partial compliance of the participating subgroup of firms.*

It should be noted that because of non-linearities the compliance - pollution system could be characterized by multiple equilibria and irreversibilities as shown in figure 3b with the final outcome crucially depending on initial conditions.

[Figure 3]

## 7 Concluding Remarks

The purpose of this paper is to analyze the long-run structure of a public VA and to specify certain characteristics that a public VA should possess in order to induce the majority of or even all polluting firms to participate in the VA and comply with its provisions. In this context we examine the evolution of participation in and compliance with the public VA, along with the evolution of the industrial pollution stock. Individual polluting firms' decisions about whether or not to participate in the agreement and furthermore whether or not to comply with it, were based on evolutionary processes of comparing expected profits associated with the different decisions, and were modelled by replicator dynamics operating in fast and slow time scales.

The main finding is that the structure of the legislation and auditing probability and the levels of legislative emissions and non-compliance fines are the main factors characterizing the ES outcomes. If the legislation probability is emission stock dependent, consequently fixed in fast time, then the equilibrium outcome is monomorphic implying either full or non-participation. Specifically, if the regulator announces a legislative probability higher than the critical value and commits to it, then all the firms participate in the agreement. On the other hand, if the legislation probability depends jointly on emission stock and participation proportion, the evolutionary sustainable equilibrium is polymorphic, implying partial participation. In this case the regulator can lead the equilibrium outcome closer to or even achieve full participation through the proper design of the legislation mandate and particularly through the magnitude of the legislative emissions  $e_L$ . By committing to a fixed auditing probability, higher than a certain critical value, the regulator can achieve full compliance of the participating firms. The same outcome can be achieved under certain initial conditions when the auditing probability depends on specific state variables. The slow time dynamic system can alternatively converge to a partial compliance steady state, either monotonically or oscillating, and under certain conditions the compliance-pollution stock system is characterized by multiple equilibria and irreversibilities, which can be eliminated by commitment to specific auditing probabilities and/or fines. Finally, it is evident that the more complex the design of the public VA is, the less likely is the final achievement of the desired environmental target through full participation and compliance. Specifically, the more complex the structure of the legislation probability is, the more dependent the equilibrium outcome is on the initial conditions and the more likely

it is that multiple equilibria and irreversibilities exist.<sup>33</sup> In conclusion it seems that commitment to legislation and auditing probabilities along with properly chosen legislative emission levels and non compliance fines are the main factors in order to induce the entire industrial sector to participate and comply with the public VA. If these conditions are not fulfilled partial participation, partial compliance and even fluctuation in the pollution stock are possible equilibrium outcomes of the public VA.

In this paper, although legislation and compliance probabilities have been endogenized, their cost to the regulator has not been taken into account. An interesting area of further research would be to include the cost of legislation and the cost of auditing in order to derive optimal auditing along with optimal thresholds for introducing legislation. In this context the replicator dynamics equations will be dynamic constraints to the regulators's optimization problem, combining bounded rationality and optimization notions.

---

<sup>33</sup>Experience in Belgium and Denmark indicates that firms refused to accept the defined framework of VAs by pointing out its complexity and the reality that, with its application, it will approach traditional regulation (Šauer et al., 2001).

## References

- [1] Brau, R., C.Carraro and G.Golfetto, (2001), Participation Incentives and the design of Voluntary Agreements, Nota Di Lavoro 19.2001, *Fondazione Eni Enrico Mattei*, Milan, Italy.
- [2] Carraro, C. and D. Siniscalco (1996), Voluntary Agreements in Environmental Policy, in A. Xepapadeas (ed.), *Environmental Policy for the Environment and Natural Resources*, Cheltenham, U.K.: Edward Elgar.
- [3] Conlisk, J. (1996), Why Bounded Rationality?, *Journal of Economic Literature*, 34,2, 669-700.
- [4] Dawson, N.L. and K. Segerson, (2001), Voluntary Agreements with Industries: Participation Incentives with Industry-wide Targets, working paper, Department of Economics, University of Connecticut.
- [5] Dawson, N.L. and K. Segerson, (2002), Participation in industry-wide voluntary approaches: short-run vs. long-run equilibrium, in J. List and A. de Zeeuw (Eds), *Recent Advances in Environmental Economics*, 142-157, E. Elgar.
- [6] BIOREGIONAL, (1998), New Findings on Voluntary Agreements in Canada, [csf.colorado.edu/bioregional/may98/0028.html](http://csf.colorado.edu/bioregional/may98/0028.html)
- [7] U.S. Environmental Protection Agency, National Environmental Performance Track-Implementation, [www.epa.gov/performancecetrack/implemen/index.htm](http://www.epa.gov/performancecetrack/implemen/index.htm)
- [8] Franckx, L., (2002) The use of ambient inspections in environmental monitoring and enforcement when the inspection agency cannot commit itself to announced inspection probabilities, *Journal of Environmental Economics and Management*, 43, 1, 71-92.
- [9] Garvie, D., and A. Keeler (1994), Incomplete enforcement with endogenous regulatory choice, *Journal of Public Economics*, 55, 141-162.
- [10] Gintis, H. (2000), *Game Theory Evolving*, Princeton University Press, Princeton.
- [11] Grieson, R.e., and N.Singh, (1990), Regulating Externalities through Testing, *Journal of Public Economics*, 55, 141-162.
- [12] Hofbauer J. and K. Sigmund (2003), "Evolutionary Game Dynamics," *Adaptive Dynamics Network*, IR-03-078, IIASA, Austria.
- [13] International Energy Agency, (1997), Voluntary Actions for Energy-Related CO<sub>2</sub> Abatement, Energy and Environment, Policy Analysis Series.
- [14] Khalil, F., (1997), Auditing without commitment, *The RAND Journal of Economics*, 28, 4, 629-640.

- [15] Khanna and Damon, (1999), EPA's Voluntary 33/50 Program: Impact on Toxic Releases and Economic Performance of Firms, *Journal of Environmental Economics and Management*, 37, vol. 1, 1-25.
- [16] Lyon T. and J. Maxwell, (2003), Self-regulation, taxation and public voluntary environmental agreements, *Journal of Public Economics*, 87, 1453-1486.
- [17] Malik, A., (1990), Markets for Pollution Control when Firms are non-compliant, *Journal of Environmental Economics and Management*, 18, 3, 97-106.
- [18] Malik, A., (1993), Self-reporting and the design of policies for regulating stochastic pollution, *Journal of Environmental Economics and Management*, 24, 3, 241-416.
- [19] Nelson, R. (1995), "Recent Evolutionary Theorizing about Economic Change," *Journal of Economic Literature*, 33,1, 48-90
- [20] OECD, (1998), The Use of Voluntary Agreements in the United States: an Initial Survey, [www.oalis.oecd.org/olis/1998doc.nsf/LinkTo/ENV-EPOC-GEEI\(98\)27-FINAL](http://www.oalis.oecd.org/olis/1998doc.nsf/LinkTo/ENV-EPOC-GEEI(98)27-FINAL)
- [21] Sastry, S., (1999), *Nonlinear Systems: Analysis, Stability and Control*, Springer, New York.
- [22] Šauer, A., E. Cudlínová, A. Dvořák, P. Fiala, P. Holcová, J. Kovář, A. Lisa, M. Livingston and E. Tošovská, (2001), *Voluntary Agreements in Environmental Policy*, Vysoká Škola Ekonomická v Praze.
- [23] Segerson, K. and T. Miceli (1998), Voluntary environmental agreements: Good or bad news for environmental regulation?, *Journal of Environmental Economics and Management*, 36(2), 109-130.
- [24] Segerson, K. (1998), Voluntary vs. Mandatory Approaches to Nonpoint Pollution Control: Complements or Substitutes?, *Nota Di Lavoro* 92.98, Fondazione Eni Enrico Mattei, Milan, Italy.
- [25] Sethi, R. and E. Somanathan (1996), The evolution of social norms in common property resource use, *American Economic Review*, 86, 766-788.
- [26] Stranlund, J.K. and K.K. Dhana, (1999), Endogenous Monitoring and Enforcement of a Transferable Emission Permits System, *Journal of Environmental Economics and Management*, 38, 3, 267-282.
- [27] VanEgteren, H. and M. Weber, (1996), Market Permits, Market Power and Cheating, *Journal of Environmental Economics and Management*, 30, 2, 161-173.
- [28] Wasow, W. (1965), *Asymptotic Expansions for Ordinary Differential Equations*, Dover Publications, New York.

- [29] Xepapadeas, A. (2003), Regulation and Evolution of Harvesting Rules and Compliance in Common Pool Resources, *centrA, Fundacion Centro de Estudios Andaluces*, Working Paper E2003/39.

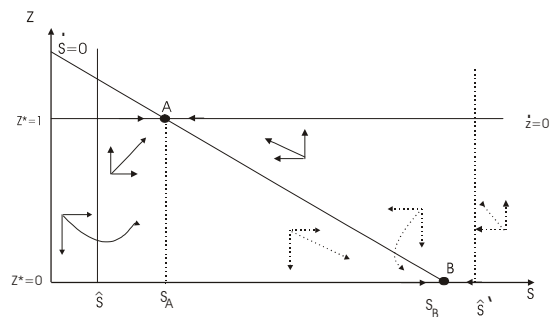


Figure 1a

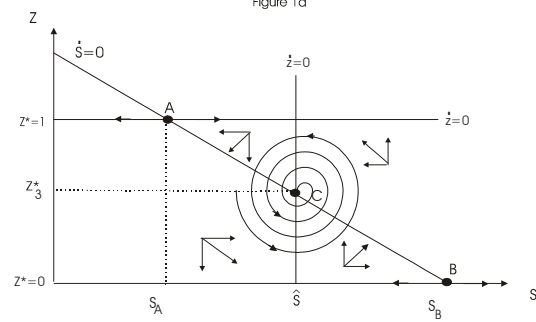


Figure 1b

Figure 1: Equilibrium with emission stock dependent auditing probability

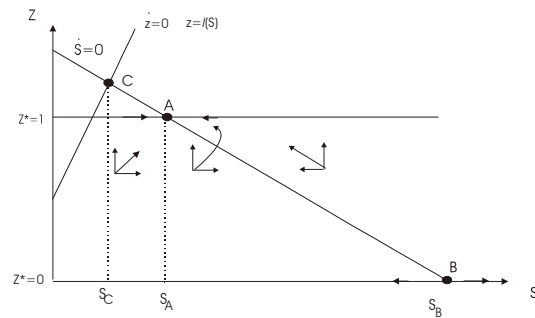


Figure 2a

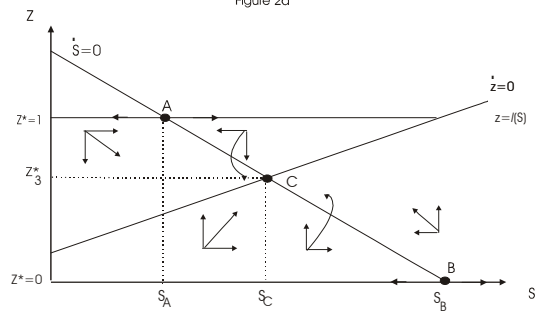


Figure 2b

Figure 2: Equilibrium with auditing probability jointly dependent on emission stock and compliance



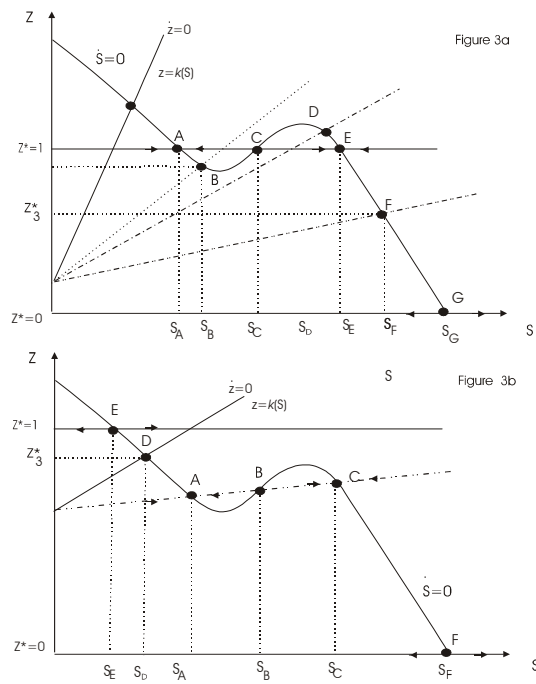


Figure 3: Equilibrium with participation dependent legislation probability and state variables dependent auditing probability

## NOTE DI LAVORO DELLA FONDAZIONE ENI ENRICO MATTEI

### Fondazione Eni Enrico Mattei Working Paper Series

Our Note di Lavoro are available on the Internet at the following addresses:

<http://www.feem.it/Feem/Pub/Publications/WPapers/default.html>

<http://www.ssrn.com/link/feem.html>

### NOTE DI LAVORO PUBLISHED IN 2003

PRIV	1.2003	<i>Gabriella CHIESA and Giovanna NICODANO</i> : <u>Privatization and Financial Market Development: Theoretical Issues</u>
PRIV	2.2003	<i>Ibolya SCHINDELE</i> : <u>Theory of Privatization in Eastern Europe: Literature Review</u>
PRIV	3.2003	<i>Wietze LISE, Claudia KEMFERT and Richard S.J. TOL</i> : <u>Strategic Action in the Liberalised German Electricity Market</u>
CLIM	4.2003	<i>Laura MARSILIANI and Thomas I. RENSTRÖM</i> : <u>Environmental Policy and Capital Movements: The Role of Government Commitment</u>
KNOW	5.2003	<i>Reyer GERLAGH</i> : <u>Induced Technological Change under Technological Competition</u>
ETA	6.2003	<i>Efrem CASTELNUOVO</i> : <u>Squeezing the Interest Rate Smoothing Weight with a Hybrid Expectations Model</u>
SIEV	7.2003	<i>Anna ALBERINI, Alberto LONGO, Stefania TONIN, Francesco TROMBETTA and Margherita TURVANI</i> : <u>The Role of Liability, Regulation and Economic Incentives in Brownfield Remediation and Redevelopment: Evidence from Surveys of Developers</u>
NRM	8.2003	<i>Elissaios POPYRAKIS and Reyner GERLAGH</i> : <u>Natural Resources: A Blessing or a Curse?</u>
CLIM	9.2003	<i>A. CAPARRÓS, J.-C. PEREAU and T. TAZDAÏT</i> : <u>North-South Climate Change Negotiations: a Sequential Game with Asymmetric Information</u>
KNOW	10.2003	<i>Giorgio BRUNELLO and Daniele CHECCHI</i> : <u>School Quality and Family Background in Italy</u>
CLIM	11.2003	<i>Efrem CASTELNUOVO and Marzio GALEOTTI</i> : <u>Learning By Doing vs Learning By Researching in a Model of Climate Change Policy Analysis</u>
KNOW	12.2003	<i>Carole MAIGNAN, Gianmarco OTTAVIANO and Dino PINELLI (eds.)</i> : <u>Economic Growth, Innovation, Cultural Diversity: What are we all talking about? A critical survey of the state-of-the-art</u>
KNOW	13.2003	<i>Carole MAIGNAN, Gianmarco OTTAVIANO, Dino PINELLI and Francesco RULLANI (lix)</i> : <u>Bio-Ecological Diversity vs. Socio-Economic Diversity. A Comparison of Existing Measures</u>
KNOW	14.2003	<i>Maddy JANSSENS and Chris STEYAERT (lix)</i> : <u>Theories of Diversity within Organisation Studies: Debates and Future Trajectories</u>
KNOW	15.2003	<i>Tuzin BAYCAN LEVENT, Enno MASUREL and Peter NIJKAMP (lix)</i> : <u>Diversity in Entrepreneurship: Ethnic and Female Roles in Urban Economic Life</u>
KNOW	16.2003	<i>Alexandra BITUSIKOVA (lix)</i> : <u>Post-Communist City on its Way from Grey to Colourful: The Case Study from Slovakia</u>
KNOW	17.2003	<i>Billy E. VAUGHN and Katarina MLEKOV (lix)</i> : <u>A Stage Model of Developing an Inclusive Community</u>
KNOW	18.2003	<i>Selma van LONDEN and Arie de RUIJTER (lix)</i> : <u>Managing Diversity in a Globalizing World</u>
Coalition		
Theory	19.2003	<i>Sergio CURRARINI</i> : <u>On the Stability of Hierarchies in Games with Externalities</u>
Network		
PRIV	20.2003	<i>Giacomo CALZOLARI and Alessandro PAVAN (lx)</i> : <u>Monopoly with Resale</u>
PRIV	21.2003	<i>Claudio MEZZETTI (lx)</i> : <u>Auction Design with Interdependent Valuations: The Generalized Revelation Principle, Efficiency, Full Surplus Extraction and Information Acquisition</u>
PRIV	22.2003	<i>Marco LiCalzi and Alessandro PAVAN (lx)</i> : <u>Tilting the Supply Schedule to Enhance Competition in Uniform-Price Auctions</u>
PRIV	23.2003	<i>David ETTINGER (lx)</i> : <u>Bidding among Friends and Enemies</u>
PRIV	24.2003	<i>Hannu VARTIAINEN (lx)</i> : <u>Auction Design without Commitment</u>
PRIV	25.2003	<i>Matti KELOHARJU, Kjell G. NYBORG and Kristian RYDQVIST (lx)</i> : <u>Strategic Behavior and Underpricing in Uniform Price Auctions: Evidence from Finnish Treasury Auctions</u>
PRIV	26.2003	<i>Christine A. PARLOUR and Uday RAJAN (lx)</i> : <u>Rationing in IPOs</u>
PRIV	27.2003	<i>Kjell G. NYBORG and Ilya A. STREBULAIEV (lx)</i> : <u>Multiple Unit Auctions and Short Squeezes</u>
PRIV	28.2003	<i>Anders LUNANDER and Jan-Eric NILSSON (lx)</i> : <u>Taking the Lab to the Field: Experimental Tests of Alternative Mechanisms to Procure Multiple Contracts</u>
PRIV	29.2003	<i>TangaMcDANIEL and Karsten NEUHOFF (lx)</i> : <u>Use of Long-term Auctions for Network Investment</u>
PRIV	30.2003	<i>Emiel MAASLAND and Sander ONDERSTAL (lx)</i> : <u>Auctions with Financial Externalities</u>
ETA	31.2003	<i>Michael FINUS and Bianca RUNDSHAGEN</i> : <u>A Non-cooperative Foundation of Core-Stability in Positive Externality NTU-Coalition Games</u>
KNOW	32.2003	<i>Michele MORETTO</i> : <u>Competition and Irreversible Investments under Uncertainty</u>
PRIV	33.2003	<i>Philippe QUIRION</i> : <u>Relative Quotas: Correct Answer to Uncertainty or Case of Regulatory Capture?</u>
KNOW	34.2003	<i>Giuseppe MEDA, Claudio PIGA and Donald SIEGEL</i> : <u>On the Relationship between R&amp;D and Productivity: A Treatment Effect Analysis</u>
ETA	35.2003	<i>Alessandra DEL BOCA, Marzio GALEOTTI and Paola ROTA</i> : <u>Non-convexities in the Adjustment of Different Capital Inputs: A Firm-level Investigation</u>

GG	36.2003	<i>Matthieu GLACHANT</i> : <u>Voluntary Agreements under Endogenous Legislative Threats</u>
PRIV	37.2003	<i>Narjess BOUBAKRI, Jean-Claude COSSET and Omrane GUEDHAMI</i> : <u>Postprivatization Corporate Governance: the Role of Ownership Structure and Investor Protection</u>
CLIM	38.2003	<i>Rolf GOLOMBEK and Michael HOEL</i> : <u>Climate Policy under Technology Spillovers</u>
KNOW	39.2003	<i>Slim BEN YOUSSEF</i> : <u>Transboundary Pollution, R&amp;D Spillovers and International Trade</u>
CTN	40.2003	<i>Carlo CARRARO and Carmen MARCHIORI</i> : <u>Endogenous Strategic Issue Linkage in International Negotiations</u>
KNOW	41.2003	<i>Sonia OREFFICE</i> : <u>Abortion and Female Power in the Household: Evidence from Labor Supply</u>
KNOW	42.2003	<i>Timo GOESCHL and Timothy SWANSON</i> : <u>On Biology and Technology: The Economics of Managing Biotechnologies</u>
ETA	43.2003	<i>Giorgio Busetti and Matteo MANERA</i> : <u>STAR-GARCH Models for Stock Market Interactions in the Pacific Basin Region, Japan and US</u>
CLIM	44.2003	<i>Katrin MILLOCK and Céline NAUGES</i> : <u>The French Tax on Air Pollution: Some Preliminary Results on its Effectiveness</u>
PRIV	45.2003	<i>Bernardo BORTOLOTTI and Paolo PINOTTI</i> : <u>The Political Economy of Privatization</u>
SIEV	46.2003	<i>Elbert DIJKGRAAF and Herman R.J. VOLLEBERGH</i> : <u>Burn or Bury? A Social Cost Comparison of Final Waste Disposal Methods</u>
ETA	47.2003	<i>Jens HORBACH</i> : <u>Employment and Innovations in the Environmental Sector: Determinants and Econometrical Results for Germany</u>
CLIM	48.2003	<i>Lori SNYDER, Nolan MILLER and Robert STAVINS</i> : <u>The Effects of Environmental Regulation on Technology Diffusion: The Case of Chlorine Manufacturing</u>
CLIM	49.2003	<i>Lori SNYDER, Robert STAVINS and Alexander F. WAGNER</i> : <u>Private Options to Use Public Goods. Exploiting Revealed Preferences to Estimate Environmental Benefits</u>
CTN	50.2003	<i>László Á. KÓCZY and Luc LAUWERS</i> (Ixi): <u>The Minimal Dominant Set is a Non-Empty Core-Extension</u>
CTN	51.2003	<i>Matthew O. JACKSON</i> (Ixi): <u>Allocation Rules for Network Games</u>
CTN	52.2003	<i>Ana MAULEON and Vincent VANNETELBOSCH</i> (Ixi): <u>Farsightedness and Cautiousness in Coalition Formation</u>
CTN	53.2003	<i>Fernando VEGA-REDONDO</i> (Ixi): <u>Building Up Social Capital in a Changing World: a network approach</u>
CTN	54.2003	<i>Matthew HAAG and Roger LAGUNOFF</i> (Ixi): <u>On the Size and Structure of Group Cooperation</u>
CTN	55.2003	<i>Taiji FURUSAWA and Hideo KONISHI</i> (Ixi): <u>Free Trade Networks</u>
CTN	56.2003	<i>Halis Murat YILDIZ</i> (Ixi): <u>National Versus International Mergers and Trade Liberalization</u>
CTN	57.2003	<i>Santiago RUBIO and Alistair ULPH</i> (Ixi): <u>An Infinite-Horizon Model of Dynamic Membership of International Environmental Agreements</u>
KNOW	58.2003	<i>Carole MAIGNAN, Dino PINELLI and Gianmarco I.P. OTTAVIANO</i> : <u>ICT, Clusters and Regional Cohesion: A Summary of Theoretical and Empirical Research</u>
KNOW	59.2003	<i>Giorgio BELLETTINI and Gianmarco I.P. OTTAVIANO</i> : <u>Special Interests and Technological Change</u>
ETA	60.2003	<i>Ronnie SCHÖB</i> : <u>The Double Dividend Hypothesis of Environmental Taxes: A Survey</u>
CLIM	61.2003	<i>Michael FINUS, Ekko van IERLAND and Robert DELLINK</i> : <u>Stability of Climate Coalitions in a Cartel Formation Game</u>
GG	62.2003	<i>Michael FINUS and Bianca RUNDSHAGEN</i> : <u>How the Rules of Coalition Formation Affect Stability of International Environmental Agreements</u>
SIEV	63.2003	<i>Alberto PETRUCCI</i> : <u>Taxing Land Rent in an Open Economy</u>
CLIM	64.2003	<i>Joseph E. ALDY, Scott BARRETT and Robert N. STAVINS</i> : <u>Thirteen Plus One: A Comparison of Global Climate Policy Architectures</u>
SIEV	65.2003	<i>Edi DEFRANCESCO</i> : <u>The Beginning of Organic Fish Farming in Italy</u>
SIEV	66.2003	<i>Klaus CONRAD</i> : <u>Price Competition and Product Differentiation when Consumers Care for the Environment</u>
SIEV	67.2003	<i>Paulo A.L.D. NUNES, Luca ROSSETTO, Arianne DE BLAEIJ</i> : <u>Monetary Value Assessment of Clam Fishing Management Practices in the Venice Lagoon: Results from a Stated Choice Exercise</u>
CLIM	68.2003	<i>ZhongXiang ZHANG</i> : <u>Open Trade with the U.S. Without Compromising Canada's Ability to Comply with its Kyoto Target</u>
KNOW	69.2003	<i>David FRANTZ</i> (Iix): <u>Lorenzo Market between Diversity and Mutation</u>
KNOW	70.2003	<i>Ercole SORI</i> (Iix): <u>Mapping Diversity in Social History</u>
KNOW	71.2003	<i>Ljiljana DERU SIMIC</i> (Ixi): <u>What is Specific about Art/Cultural Projects?</u>
KNOW	72.2003	<i>Natalya V. TARANOVA</i> (Ixi): <u>The Role of the City in Fostering Intergroup Communication in a Multicultural Environment: Saint-Petersburg's Case</u>
KNOW	73.2003	<i>Kristine CRANE</i> (Ixi): <u>The City as an Arena for the Expression of Multiple Identities in the Age of Globalisation and Migration</u>
KNOW	74.2003	<i>Kazuma MATOBA</i> (Ixi): <u>Glocal Dialogue- Transformation through Transcultural Communication</u>
KNOW	75.2003	<i>Catarina REIS OLIVEIRA</i> (Ixi): <u>Immigrants' Entrepreneurial Opportunities: The Case of the Chinese in Portugal</u>
KNOW	76.2003	<i>Sandra WALLMAN</i> (Ixi): <u>The Diversity of Diversity - towards a typology of urban systems</u>
KNOW	77.2003	<i>Richard PEARCE</i> (Ixi): <u>A Biologist's View of Individual Cultural Identity for the Study of Cities</u>
KNOW	78.2003	<i>Vincent MERK</i> (Ixi): <u>Communication Across Cultures: from Cultural Awareness to Reconciliation of the Dilemmas</u>
KNOW	79.2003	<i>Giorgio BELLETTINI, Carlotta BERTI CERONI and Gianmarco I.P. OTTAVIANO</i> : <u>Child Labor and Resistance to Change</u>
ETA	80.2003	<i>Michele MORETTO, Paolo M. PANTEGHINI and Carlo SCARPA</i> : <u>Investment Size and Firm's Value under Profit Sharing Regulation</u>

IEM	81.2003	<i>Alessandro LANZA, Matteo MANERA and Massimo GIOVANNINI: <u>Oil and Product Dynamics in International Petroleum Markets</u></i>
CLIM	82.2003	<i>Y. Hossein FARZIN and Jinhua ZHAO: <u>Pollution Abatement Investment When Firms Lobby Against Environmental Regulation</u></i>
CLIM	83.2003	<i>Giuseppe DI VITA: <u>Is the Discount Rate Relevant in Explaining the Environmental Kuznets Curve?</u></i>
CLIM	84.2003	<i>Reyer GERLAGH and Wietze LISE: <u>Induced Technological Change Under Carbon Taxes</u></i>
NRM	85.2003	<i>Rinaldo BRAU, Alessandro LANZA and Francesco PIGLIARU: <u>How Fast are the Tourism Countries Growing? The cross-country evidence</u></i>
KNOW	86.2003	<i>Elena BELLINI, Gianmarco I.P. OTTAVIANO and Dino PINELLI: <u>The ICT Revolution: opportunities and risks for the Mezzogiorno</u></i>
SIEV	87.2003	<i>Lucas BRETSCGHER and Sjak SMULDERS: <u>Sustainability and Substitution of Exhaustible Natural Resources. How resource prices affect long-term R&amp;D investments</u></i>
CLIM	88.2003	<i>Johan EYCKMANS and Michael FINUS: <u>New Roads to International Environmental Agreements: The Case of Global Warming</u></i>
CLIM	89.2003	<i>Marzio GALEOTTI: <u>Economic Development and Environmental Protection</u></i>
CLIM	90.2003	<i>Marzio GALEOTTI: <u>Environment and Economic Growth: Is Technical Change the Key to Decoupling?</u></i>
CLIM	91.2003	<i>Marzio GALEOTTI and Barbara BUCHNER: <u>Climate Policy and Economic Growth in Developing Countries</u></i>
IEM	92.2003	<i>A. MARKANDYA, A. GOLUB and E. STRUKOVA: <u>The Influence of Climate Change Considerations on Energy Policy: The Case of Russia</u></i>
ETA	93.2003	<i>Andrea BELTRATTI: <u>Socially Responsible Investment in General Equilibrium</u></i>
CTN	94.2003	<i>Parkash CHANDER: <u>The <math>\gamma</math>-Core and Coalition Formation</u></i>
IEM	95.2003	<i>Matteo MANERA and Angelo MARZULLO: <u>Modelling the Load Curve of Aggregate Electricity Consumption Using Principal Components</u></i>
IEM	96.2003	<i>Alessandro LANZA, Matteo MANERA, Margherita GRASSO and Massimo GIOVANNINI: <u>Long-run Models of Oil Stock Prices</u></i>
CTN	97.2003	<i>Steven J. BRAMS, Michael A. JONES, and D. Marc KILGOUR: <u>Forming Stable Coalitions: The Process Matters</u></i>
KNOW	98.2003	<i>John CROWLEY, Marie-Cecile NAVES (Ixiix): <u>Anti-Racist Policies in France. From Ideological and Historical Schemes to Socio-Political Realities</u></i>
KNOW	99.2003	<i>Richard THOMPSON FORD (Ixix): <u>Cultural Rights and Civic Virtue</u></i>
KNOW	100.2003	<i>Alaknanda PATEL (Ixix): <u>Cultural Diversity and Conflict in Multicultural Cities</u></i>
KNOW	101.2003	<i>David MAY (Ixix): <u>The Struggle of Becoming Established in a Deprived Inner-City Neighbourhood</u></i>
KNOW	102.2003	<i>Sébastien ARCAND, Danielle JUTEAU, Sirma BILGE, and Francine LEMIRE (Ixix) : <u>Municipal Reform on the Island of Montreal: Tensions Between Two Majority Groups in a Multicultural City</u></i>
CLIM	103.2003	<i>Barbara BUCHNER and Carlo CARRARO: <u>China and the Evolution of the Present Climate Regime</u></i>
CLIM	104.2003	<i>Barbara BUCHNER and Carlo CARRARO: <u>Emissions Trading Regimes and Incentives to Participate in International Climate Agreements</u></i>
CLIM	105.2003	<i>Anil MARKANDYA and Dirk T.G. RÜBBELKE: <u>Ancillary Benefits of Climate Policy</u></i>
NRM	106.2003	<i>Anne Sophie CRÉPIN (Ixix): <u>Management Challenges for Multiple-Species Boreal Forests</u></i>
NRM	107.2003	<i>Anne Sophie CRÉPIN (Ixix): <u>Threshold Effects in Coral Reef Fisheries</u></i>
SIEV	108.2003	<i>Sara ANIYAR (Ixix): <u>Estimating the Value of Oil Capital in a Small Open Economy: The Venezuela's Example</u></i>
SIEV	109.2003	<i>Kenneth ARROW, Partha DASGUPTA and Karl-Göran MÄLER (Ixix): <u>Evaluating Projects and Assessing Sustainable Development in Imperfect Economies</u></i>
NRM	110.2003	<i>Anastasios XEPAPADEAS and Catarina ROSETA-PALMA (Ixix): <u>Instabilities and Robust Control in Fisheries</u></i>
NRM	111.2003	<i>Charles PERRINGS and Brian WALKER (Ixix): <u>Conservation and Optimal Use of Rangelands</u></i>
ETA	112.2003	<i>Jack GOODY (Ixix): <u>Globalisation, Population and Ecology</u></i>
CTN	113.2003	<i>Carlo CARRARO, Carmen MARCHIORI and Sonia OREFFICE: <u>Endogenous Minimum Participation in International Environmental Treaties</u></i>
CTN	114.2003	<i>Guillaume HAERINGER and Myrna WOODERS: <u>Decentralized Job Matching</u></i>
CTN	115.2003	<i>Hideo KONISHI and M. Utku UNVER: <u>Credible Group Stability in Multi-Partner Matching Problems</u></i>
CTN	116.2003	<i>Somdeb LAHIRI: <u>Stable Matchings for the Room-Mates Problem</u></i>
CTN	117.2003	<i>Somdeb LAHIRI: <u>Stable Matchings for a Generalized Marriage Problem</u></i>
CTN	118.2003	<i>Marita LAUKKANEN: <u>Transboundary Fisheries Management under Implementation Uncertainty</u></i>
CTN	119.2003	<i>Edward CARTWRIGHT and Myrna WOODERS: <u>Social Conformity and Bounded Rationality in Arbitrary Games with Incomplete Information: Some First Results</u></i>
CTN	120.2003	<i>Gianluigi VERNASCA: <u>Dynamic Price Competition with Price Adjustment Costs and Product Differentiation</u></i>
CTN	121.2003	<i>Myrna WOODERS, Edward CARTWRIGHT and Reinhard SELTEN: <u>Social Conformity in Games with Many Players</u></i>
CTN	122.2003	<i>Edward CARTWRIGHT and Myrna WOODERS: <u>On Equilibrium in Pure Strategies in Games with Many Players</u></i>
CTN	123.2003	<i>Edward CARTWRIGHT and Myrna WOODERS: <u>Conformity and Bounded Rationality in Games with Many Players</u></i>
	<b>1000</b>	<b>Carlo CARRARO, Alessandro LANZA and Valeria PAPPONETTI: <u>One Thousand Working Papers</u></b>

## NOTE DI LAVORO PUBLISHED IN 2004

IEM	1.2004	<i>Anil MARKANDYA, Suzette PEDROSO and Alexander GOLUB: <u>Empirical Analysis of National Income and So2 Emissions in Selected European Countries</u></i>
ETA	2.2004	<i>Masahisa FUJITA and Shlomo WEBER: <u>Strategic Immigration Policies and Welfare in Heterogeneous Countries</u></i>
PRA	3.2004	<i>Adolfo DI CARLUCCIO, Giovanni FERRI, Cecilia FRALE and Ottavio RICCHI: <u>Do Privatizations Boost Household Shareholding? Evidence from Italy</u></i>
ETA	4.2004	<i>Victor GINSBURGH and Shlomo WEBER: <u>Languages Disenfranchisement in the European Union</u></i>
ETA	5.2004	<i>Romano PIRAS: <u>Growth, Congestion of Public Goods, and Second-Best Optimal Policy</u></i>
CCMP	6.2004	<i>Herman R.J. VOLLEBERGH: <u>Lessons from the Polder: Is Dutch CO2-Taxation Optimal</u></i>
PRA	7.2004	<i>Sandro BRUSCO, Giuseppe LOPOMO and S. VISWANATHAN (lxv): <u>Merger Mechanisms</u></i>
PRA	8.2004	<i>Wolfgang AUSSENEGG, Pegaret PICHLER and Alex STOMPER (lxv): <u>IPO Pricing with Bookbuilding, and a When-Issued Market</u></i>
PRA	9.2004	<i>Pegaret PICHLER and Alex STOMPER (lxv): <u>Primary Market Design: Direct Mechanisms and Markets</u></i>
PRA	10.2004	<i>Florian ENGLMAIER, Pablo GUILLEN, Loreto LLORENTE, Sander ONDERSTAL and Rupert SAUSGRUBER (lxv): <u>The Chopstick Auction: A Study of the Exposure Problem in Multi-Unit Auctions</u></i>
PRA	11.2004	<i>Bjarne BRENDSTRUP and Harry J. PAARSCH (lxv): <u>Nonparametric Identification and Estimation of Multi-Unit, Sequential, Oral, Ascending-Price Auctions With Asymmetric Bidders</u></i>
PRA	12.2004	<i>Ohad KADAN (lxv): <u>Equilibrium in the Two Player, k-Double Auction with Affiliated Private Values</u></i>
PRA	13.2004	<i>Maarten C.W. JANSSEN (lxv): <u>Auctions as Coordination Devices</u></i>
PRA	14.2004	<i>Gadi FIBICH, Arieh GAVIOUS and Aner SELA (lxv): <u>All-Pay Auctions with Weakly Risk-Averse Buyers</u></i>
PRA	15.2004	<i>Orly SADE, Charles SCHNITZLEIN and Jaime F. ZENDER (lxv): <u>Competition and Cooperation in Divisible Good Auctions: An Experimental Examination</u></i>
PRA	16.2004	<i>Marta STRYSZOWSKA (lxv): <u>Late and Multiple Bidding in Competing Second Price Internet Auctions</u></i>
CCMP	17.2004	<i>Slim Ben YOUSSEF: <u>R&amp;D in Cleaner Technology and International Trade</u></i>
NRM	18.2004	<i>Angelo ANTOCI, Simone BORGHESI and Paolo RUSSU (lxvi): <u>Biodiversity and Economic Growth: Stabilization Versus Preservation of the Ecological Dynamics</u></i>
SIEV	19.2004	<i>Anna ALBERINI, Paolo ROSATO, Alberto LONGO and Valentina ZANATTA: <u>Information and Willingness to Pay in a Contingent Valuation Study: The Value of S. Erasmo in the Lagoon of Venice</u></i>
NRM	20.2004	<i>Guido CANDELA and Roberto CELLINI (lxvii): <u>Investment in Tourism Market: A Dynamic Model of Differentiated Oligopoly</u></i>
NRM	21.2004	<i>Jacqueline M. HAMILTON (lxvii): <u>Climate and the Destination Choice of German Tourists</u></i>
NRM	22.2004	<i>Javier Rey-MAQUIEIRA PALMER, Javier LOZANO IBÁÑEZ and Carlos Mario GÓMEZ GÓMEZ (lxvii): <u>Land, Environmental Externalities and Tourism Development</u></i>
NRM	23.2004	<i>Pius ODUNGA and Henk FOLMER (lxvii): <u>Profiling Tourists for Balanced Utilization of Tourism-Based Resources in Kenya</u></i>
NRM	24.2004	<i>Jean-Jacques NOWAK, Mondher SAHLI and Pasquale M. SGRO (lxvii): <u>Tourism, Trade and Domestic Welfare</u></i>
NRM	25.2004	<i>Riaz SHAREEF (lxvii): <u>Country Risk Ratings of Small Island Tourism Economies</u></i>
NRM	26.2004	<i>Juan Luis EUGENIO-MARTÍN, Noelia MARTÍN MORALES and Riccardo SCARPA (lxvii): <u>Tourism and Economic Growth in Latin American Countries: A Panel Data Approach</u></i>
NRM	27.2004	<i>Raúl Hernández MARTÍN (lxvii): <u>Impact of Tourism Consumption on GDP. The Role of Imports</u></i>
CSRM	28.2004	<i>Nicoletta FERRO: <u>Cross-Country Ethical Dilemmas in Business: A Descriptive Framework</u></i>
NRM	29.2004	<i>Marian WEBER (lxvi): <u>Assessing the Effectiveness of Tradable Landuse Rights for Biodiversity Conservation: an Application to Canada's Boreal Mixedwood Forest</u></i>
NRM	30.2004	<i>Trond BJORN DAL, Phoebe KOUNDOURI and Sean PASCOE (lxvi): <u>Output Substitution in Multi-Species Trawl Fisheries: Implications for Quota Setting</u></i>
CCMP	31.2004	<i>Marzio GALEOTTI, Alessandra GORIA, Paolo MOMBRINI and Evi SPANTIDAKI: <u>Weather Impacts on Natural, Social and Economic Systems (WISE) Part I: Sectoral Analysis of Climate Impacts in Italy</u></i>
CCMP	32.2004	<i>Marzio GALEOTTI, Alessandra GORIA, Paolo MOMBRINI and Evi SPANTIDAKI: <u>Weather Impacts on Natural, Social and Economic Systems (WISE) Part II: Individual Perception of Climate Extremes in Italy</u></i>
CTN	33.2004	<i>Wilson PEREZ: <u>Divide and Conquer: Noisy Communication in Networks, Power, and Wealth Distribution</u></i>
KTHC	34.2004	<i>Gianmarco I.P. OTTAVIANO and Giovanni PERI (lxviii): <u>The Economic Value of Cultural Diversity: Evidence from US Cities</u></i>
KTHC	35.2004	<i>Linda CHAIB (lxviii): <u>Immigration and Local Urban Participatory Democracy: A Boston-Paris Comparison</u></i>
KTHC	36.2004	<i>Franca ECKERT COEN and Claudio ROSSI (lxviii): <u>Foreigners, Immigrants, Host Cities: The Policies of Multi-Ethnicity in Rome. Reading Governance in a Local Context</u></i>
KTHC	37.2004	<i>Kristine CRANE (lxviii): <u>Governing Migration: Immigrant Groups' Strategies in Three Italian Cities – Rome, Naples and Bari</u></i>
KTHC	38.2004	<i>Kiflemariam HAMDE (lxviii): <u>Mind in Africa, Body in Europe: The Struggle for Maintaining and Transforming Cultural Identity - A Note from the Experience of Eritrean Immigrants in Stockholm</u></i>
ETA	39.2004	<i>Alberto CAVALIERE: <u>Price Competition with Information Disparities in a Vertically Differentiated Duopoly</u></i>
PRA	40.2004	<i>Andrea BIGANO and Stef PROOST: <u>The Opening of the European Electricity Market and Environmental Policy: Does the Degree of Competition Matter?</u></i>
CCMP	41.2004	<i>Micheal FINUS (lxix): <u>International Cooperation to Resolve International Pollution Problems</u></i>

KTHC	42.2004	<i>Francesco CRESPI</i> : <u>Notes on the Determinants of Innovation: A Multi-Perspective Analysis</u>
CTN	43.2004	<i>Sergio CURRARINI and Marco MARINI</i> : <u>Coalition Formation in Games without Synergies</u>
CTN	44.2004	<i>Marc ESCRHUELA-VILLAR</i> : <u>Cartel Sustainability and Cartel Stability</u>
NRM	45.2004	<i>Sebastian BERVOETS and Nicolas GRAVEL</i> (lxvi): <u>Appraising Diversity with an Ordinal Notion of Similarity: An Axiomatic Approach</u>
NRM	46.2004	<i>Signe ANTHON and Bo JELLESMAK THORSEN</i> (lxvi): <u>Optimal Afforestation Contracts with Asymmetric Information on Private Environmental Benefits</u>
NRM	47.2004	<i>John MBURU</i> (lxvi): <u>Wildlife Conservation and Management in Kenya: Towards a Co-management Approach</u>
NRM	48.2004	<i>Ekin BIROL, Ágnes GYOVAI and Melinda SMALE</i> (lxvi): <u>Using a Choice Experiment to Value Agricultural Biodiversity on Hungarian Small Farms: Agri-Environmental Policies in a Transitional Economy</u>
CCMP	49.2004	<i>Gernot KLEPPER and Sonja PETERSON</i> : <u>The EU Emissions Trading Scheme. Allowance Prices, Trade Flows, Competitiveness Effects</u>
GG	50.2004	<i>Scott BARRETT and Michael HOEL</i> : <u>Optimal Disease Eradication</u>
CTN	51.2004	<i>Dinko DIMITROV, Peter BORM, Ruud HENDRICKX and Shao CHIN SUNG</i> : <u>Simple Priorities and Core Stability in Hedonic Games</u>
SIEV	52.2004	<i>Francesco RICCI</i> : <u>Channels of Transmission of Environmental Policy to Economic Growth: A Survey of the Theory</u>
SIEV	53.2004	<i>Anna ALBERINI, Maureen CROPPER, Alan KRUPNICK and Nathalie B. SIMON</i> : <u>Willingness to Pay for Mortality Risk Reductions: Does Latency Matter?</u>
NRM	54.2004	<i>Ingo BRÄUER and Rainer MARGGRAF</i> (lxvi): <u>Valuation of Ecosystem Services Provided by Biodiversity Conservation: An Integrated Hydrological and Economic Model to Value the Enhanced Nitrogen Retention in Renaturated Streams</u>
NRM	55.2004	<i>Timo GOESCHL and Tun LIN</i> (lxvi): <u>Biodiversity Conservation on Private Lands: Information Problems and Regulatory Choices</u>
NRM	56.2004	<i>Tom DEDEURWAERDERE</i> (lxvi): <u>Bioprospection: From the Economics of Contracts to Reflexive Governance</u>
CCMP	57.2004	<i>Katrin REHDANZ and David MADDISON</i> : <u>The Amenity Value of Climate to German Households</u>
CCMP	58.2004	<i>Koen SMEKENS and Bob VAN DER ZWAAN</i> : <u>Environmental Externalities of Geological Carbon Sequestration Effects on Energy Scenarios</u>
NRM	59.2004	<i>Valentina BOSETTI, Mariaester CASSINELLI and Alessandro LANZA</i> (lxvii): <u>Using Data Envelopment Analysis to Evaluate Environmentally Conscious Tourism Management</u>
NRM	60.2004	<i>Timo GOESCHL and Danilo CAMARGO IGLIORI</i> (lxvi): <u>Property Rights Conservation and Development: An Analysis of Extractive Reserves in the Brazilian Amazon</u>
CCMP	61.2004	<i>Barbara BUCHNER and Carlo CARRARO</i> : <u>Economic and Environmental Effectiveness of a Technology-based Climate Protocol</u>
NRM	62.2004	<i>Elissaios POPYRAKIS and Reyer GERLAGH</i> : <u>Resource-Abundance and Economic Growth in the U.S.</u>
NRM	63.2004	<i>Györgyi BELA, György PATAKI, Melinda SMALE and Mariann HAJDÚ</i> (lxvi): <u>Conserving Crop Genetic Resources on Smallholder Farms in Hungary: Institutional Analysis</u>
NRM	64.2004	<i>E.C.M. RUIJGROK and E.E.M. NILLESEN</i> (lxvi): <u>The Socio-Economic Value of Natural Riverbanks in the Netherlands</u>
NRM	65.2004	<i>E.C.M. RUIJGROK</i> (lxvi): <u>Reducing Acidification: The Benefits of Increased Nature Quality. Investigating the Possibilities of the Contingent Valuation Method</u>
ETA	66.2004	<i>Giannis VARDAS and Anastasios XEPAPADEAS</i> : <u>Uncertainty Aversion, Robust Control and Asset Holdings</u>
GG	67.2004	<i>Anastasios XEPAPADEAS and Constadina PASSA</i> : <u>Participation in and Compliance with Public Voluntary Environmental Programs: An Evolutionary Approach</u>

- (lix) This paper was presented at the ENGIME Workshop on “Mapping Diversity”, Leuven, May 16-17, 2002
- (lx) This paper was presented at the EuroConference on “Auctions and Market Design: Theory, Evidence and Applications”, organised by the Fondazione Eni Enrico Mattei, Milan, September 26-28, 2002
- (lxi) This paper was presented at the Eighth Meeting of the Coalition Theory Network organised by the GREQAM, Aix-en-Provence, France, January 24-25, 2003
- (lxii) This paper was presented at the ENGIME Workshop on “Communication across Cultures in Multicultural Cities”, The Hague, November 7-8, 2002
- (lxiii) This paper was presented at the ENGIME Workshop on “Social dynamics and conflicts in multicultural cities”, Milan, March 20-21, 2003
- (lxiv) This paper was presented at the International Conference on “Theoretical Topics in Ecological Economics”, organised by the Abdus Salam International Centre for Theoretical Physics - ICTP, the Beijer International Institute of Ecological Economics, and Fondazione Eni Enrico Mattei – FEEM Trieste, February 10-21, 2003
- (lxv) This paper was presented at the EuroConference on “Auctions and Market Design: Theory, Evidence and Applications” organised by Fondazione Eni Enrico Mattei and sponsored by the EU, Milan, September 25-27, 2003
- (lxvi) This paper has been presented at the 4th BioEcon Workshop on “Economic Analysis of Policies for Biodiversity Conservation” organised on behalf of the BIOECON Network by Fondazione Eni Enrico Mattei, Venice International University (VIU) and University College London (UCL), Venice, August 28-29, 2003
- (lxvii) This paper has been presented at the international conference on “Tourism and Sustainable Economic Development – Macro and Micro Economic Issues” jointly organised by CRENoS (Università di Cagliari e Sassari, Italy) and Fondazione Eni Enrico Mattei, and supported by the World Bank, Sardinia, September 19-20, 2003
- (lxviii) This paper was presented at the ENGIME Workshop on “Governance and Policies in Multicultural Cities”, Rome, June 5-6, 2003
- (lxix) This paper was presented at the Fourth EEP Plenary Workshop and EEP Conference “The Future of Climate Policy”, Cagliari, Italy, 27-28 March 2003

#### 2003 SERIES

<b>CLIM</b>	<i>Climate Change Modelling and Policy</i> (Editor: Marzio Galeotti )
<b>GG</b>	<i>Global Governance</i> (Editor: Carlo Carraro)
<b>SIEV</b>	<i>Sustainability Indicators and Environmental Valuation</i> (Editor: Anna Alberini)
<b>NRM</b>	<i>Natural Resources Management</i> (Editor: Carlo Giupponi)
<b>KNOW</b>	<i>Knowledge, Technology, Human Capital</i> (Editor: Gianmarco Ottaviano)
<b>IEM</b>	<i>International Energy Markets</i> (Editor: Anil Markandya)
<b>CSR</b>	<i>Corporate Social Responsibility and Management</i> (Editor: Sabina Ratti)
<b>PRIV</b>	<i>Privatisation, Regulation, Antitrust</i> (Editor: Bernardo Bortolotti)
<b>ETA</b>	<i>Economic Theory and Applications</i> (Editor: Carlo Carraro)
<b>CTN</b>	<i>Coalition Theory Network</i>

#### 2004 SERIES

<b>CCMP</b>	<i>Climate Change Modelling and Policy</i> (Editor: Marzio Galeotti )
<b>GG</b>	<i>Global Governance</i> (Editor: Carlo Carraro)
<b>SIEV</b>	<i>Sustainability Indicators and Environmental Valuation</i> (Editor: Anna Alberini)
<b>NRM</b>	<i>Natural Resources Management</i> (Editor: Carlo Giupponi)
<b>KTHC</b>	<i>Knowledge, Technology, Human Capital</i> (Editor: Gianmarco Ottaviano)
<b>IEM</b>	<i>International Energy Markets</i> (Editor: Anil Markandya)
<b>CSR</b>	<i>Corporate Social Responsibility and Management</i> (Editor: Sabina Ratti)
<b>PRA</b>	<i>Privatisation, Regulation, Antitrust</i> (Editor: Bernardo Bortolotti)
<b>ETA</b>	<i>Economic Theory and Applications</i> (Editor: Carlo Carraro)
<b>CTN</b>	<i>Coalition Theory Network</i>